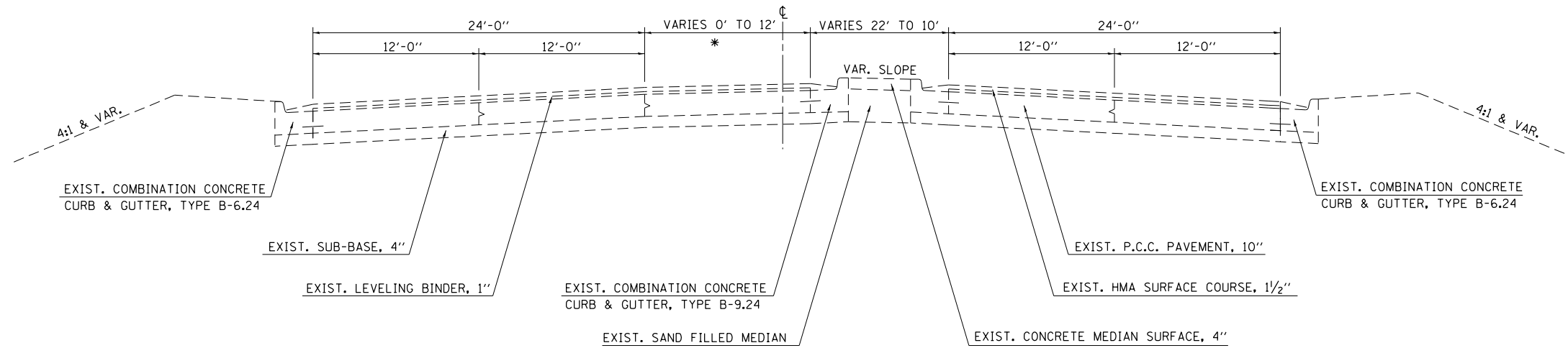


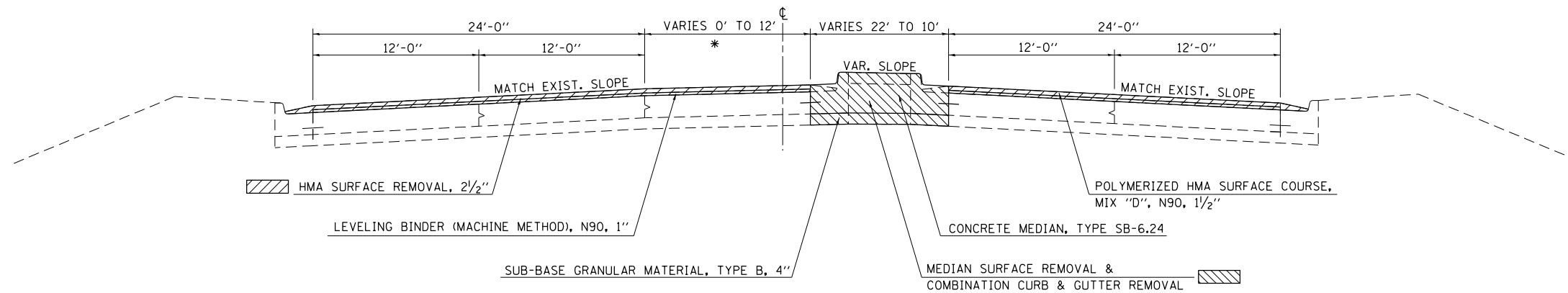
① EXISTING TYPICAL CROSS SECTION
 STA. 165+40.00 TO STA. 169+90.00 **②**



* SEE PLAN SHEETS FOR TURN LANE LOCATION EITHER LEFT OR RIGHT OF MEDIAN.

NOT TO SCALE

① PROPOSED TYPICAL CROSS SECTION
 STA. 165+40.00 TO STA. 169+90.00 **②**



* SEE PLAN SHEETS FOR TURN LANE LOCATION EITHER LEFT OR RIGHT OF MEDIAN.

NOT TO SCALE

FILE NAME =	USER NAME = steffenmk	DESIGNED -	REVISED -
ci:\pw\work\p\idot\steffenmk\d0271850\074537-sh-typical1.dgn		DRAWN -	REVISED -
Default	PLOT SCALE = 100.0000' / 1in.	CHECKED -	REVISED -
	PLOT DATE = 3/22/2013	DATE -	REVISED -

**STATE OF ILLINOIS
 DEPARTMENT OF TRANSPORTATION**

TYPICAL CROSS SECTION

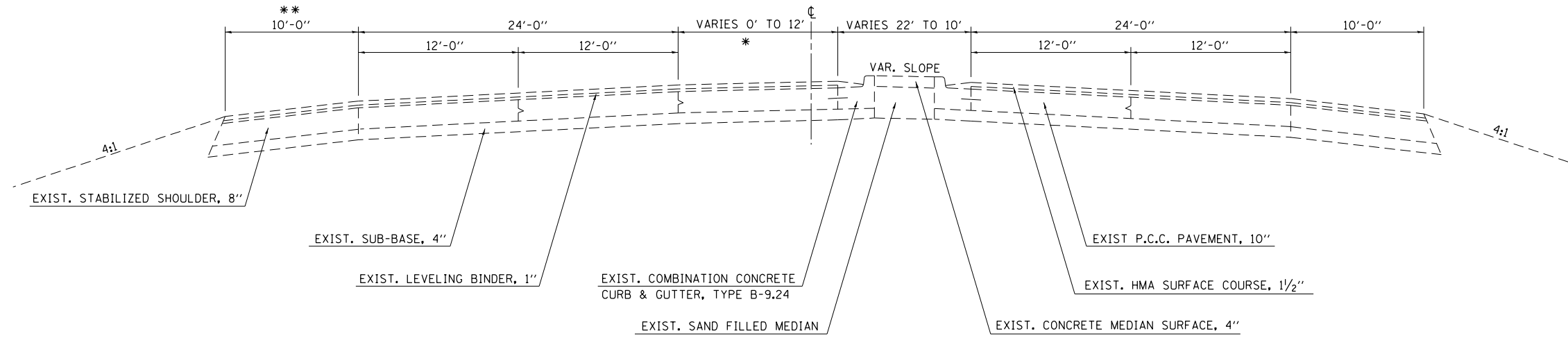
SCALE: N/A SHEET 1 OF 7 SHEETS STA. TO STA.

F.A.P. RTE. 712, F.A.U. RTE. 7464

F.A. RTE.	SECTION	COUNTY	TOTAL SHEETS	SHEET NO.
58-64-IRS, 126RS-2		Macon	69	8
CONTRACT NO. 74537			ILLINOIS FED. AID PROJECT	

② EXISTING TYPICAL CROSS SECTION

- ① STA. 169+90.00 TO STA. 180+00.00 ③
- ④ STA. 188+77.00 TO STA. 202+86.71 (BK)
- STA. 202+86.71 (BK) = STA. 126+96.71 (AH)
- STA. 126+96.71 (AH) TO STA. 129+29.00 ⑤



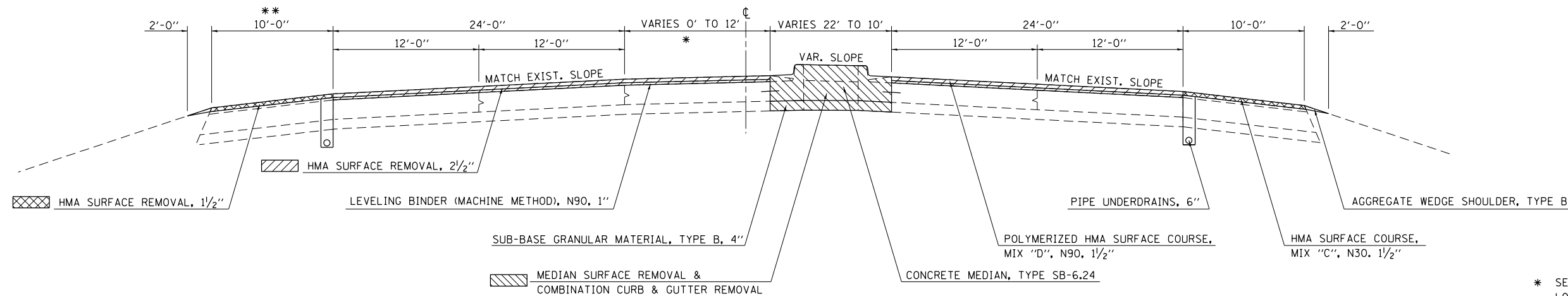
* SEE PLAN SHEETS FOR TURN LANE LOCATION EITHER LEFT OR RIGHT OF MEDIAN.

** STA. 176+85.00 TO STA. 180+00.00 WIDTH = 16'

NOT TO SCALE

② PROPOSED TYPICAL CROSS SECTION

- ① STA. 169+90.00 TO STA. 180+00.00 ③
- ④ STA. 188+77.00 TO STA. 202+86.71 (BK)
- STA. 202+86.71 (BK) = STA. 126+96.71 (AH)
- STA. 126+96.71 (AH) TO STA. 129+29.00 ⑤



* SEE PLAN SHEETS FOR TURN LANE LOCATION EITHER LEFT OR RIGHT OF MEDIAN.

** STA. 176+85.00 TO STA. 180+00.00 WIDTH = 16'

NOT TO SCALE

FILE NAME =	USER NAME = steffenmk	DESIGNED -	REVISED -
ci:\pw\work\p\idot\steffenmk\d0271850\074537-sh-typical.dgn		DRAWN -	REVISED -
Default	PLOT SCALE = 100.0000' / in.	CHECKED -	REVISED -
	PLOT DATE = 3/22/2013	DATE -	REVISED -

STATE OF ILLINOIS
DEPARTMENT OF TRANSPORTATION

TYPICAL CROSS SECTION

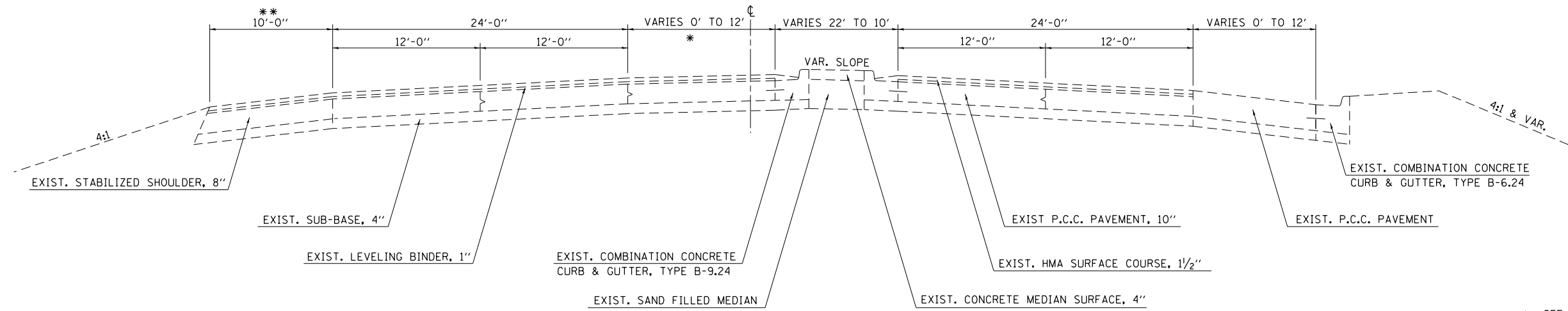
SCALE: N/A SHEET 2 OF 7 SHEETS STA. TO STA.

F.A.P. RTE. 712, F.A.U. RTE. 7464

F.A. RTE.	SECTION	COUNTY	TOTAL SHEETS	SHEET NO.
•	58-64-IRS, 126RS-2	Macon	69	9
CONTRACT NO. 74537			ILLINOIS FED. AID PROJECT	

③ EXISTING TYPICAL CROSS SECTION

② STA. 180+00.00 TO STA. 184+20.00 ④



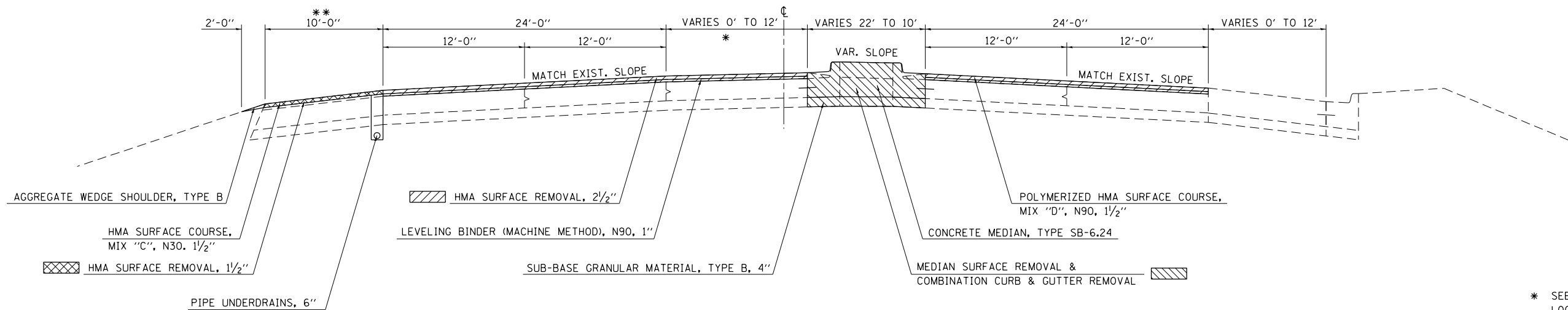
* SEE PLAN SHEETS FOR TURN LANE LOCATION EITHER LEFT OR RIGHT OF MEDIAN.

** STA. 180+00.00 TO STA. 181+55.00 WIDTH VARIES 16' TO 10'

NOT TO SCALE

③ PROPOSED TYPICAL CROSS SECTION

② STA. 180+00.00 TO STA. 184+20.00 ④



* SEE PLAN SHEETS FOR TURN LANE LOCATION EITHER LEFT OR RIGHT OF MEDIAN.

** STA. 180+00.00 TO STA. 181+55.00 WIDTH VARIES 16' TO 10'

NOT TO SCALE

FILE NAME =	USER NAME = steffenmk	DESIGNED -	REVISED -
ci:\pw\work\p\idot\steffenmk\d0271850\074537-sh-typicals.dgn		DRAWN -	REVISED -
Default	PLOT SCALE = 100.0000' / in.	CHECKED -	REVISED -
	PLOT DATE = 3/22/2013	DATE -	REVISED -

STATE OF ILLINOIS
DEPARTMENT OF TRANSPORTATION

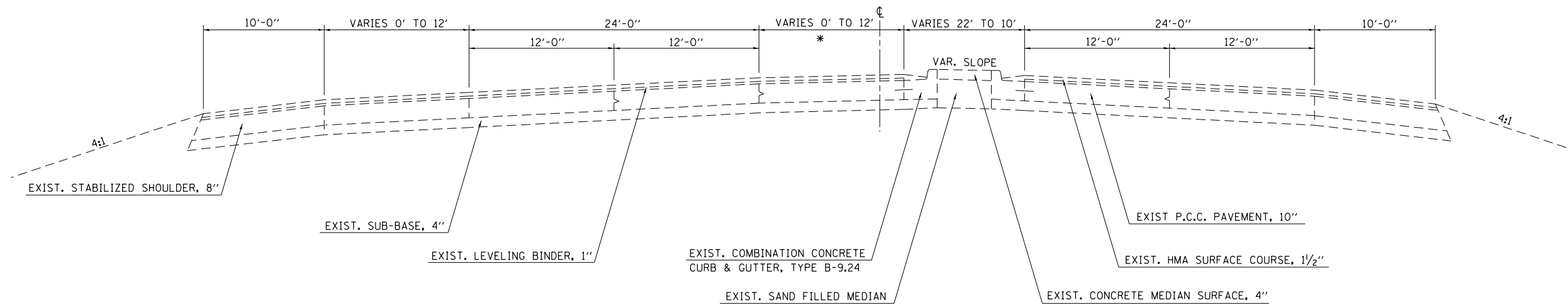
TYPICAL CROSS SECTIONS

SCALE: N/A SHEET 3 OF 7 SHEETS STA. TO STA.

• F.A.P. RTE. 712, F.A.U. RTE. 7464				
F.A. RTE.	SECTION	COUNTY	TOTAL SHEETS	SHEET NO.
*	58-64-IRS, 126RS-2	Macon	69	10
			CONTRACT NO. 74537	
ILLINOIS FED. AID PROJECT				

④ EXISTING TYPICAL CROSS SECTION

③ STA. 184+20.00 TO STA. 188+77.00 ②

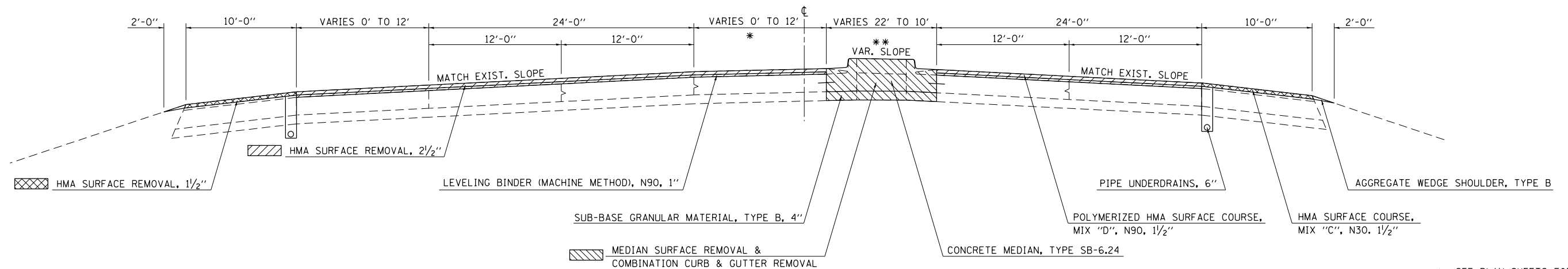


* SEE PLAN SHEETS FOR TURN LANE LOCATION EITHER LEFT OR RIGHT OF MEDIAN.

NOT TO SCALE

④ PROPOSED TYPICAL CROSS SECTION

③ STA. 184+20.00 TO STA. 188+77.00 ②



* SEE PLAN SHEETS FOR TURN LANE LOCATION EITHER LEFT OR RIGHT OF MEDIAN.

** EXISTING MEDIAN TO REMAIN IN PLACE STA. 184+86.00 TO STA. 187+23.00

NOT TO SCALE

FILE NAME =	USER NAME = steffenmk	DESIGNED -	REVISED -
ci:\pw\work\p\id\dot\steffenmk\d0271850\074537-sh-typicals.dgn		DRAWN -	REVISED -
Default	PLOT SCALE = 100.0000' / 1in.	CHECKED -	REVISED -
	PLOT DATE = 3/22/2013	DATE -	REVISED -

STATE OF ILLINOIS
DEPARTMENT OF TRANSPORTATION

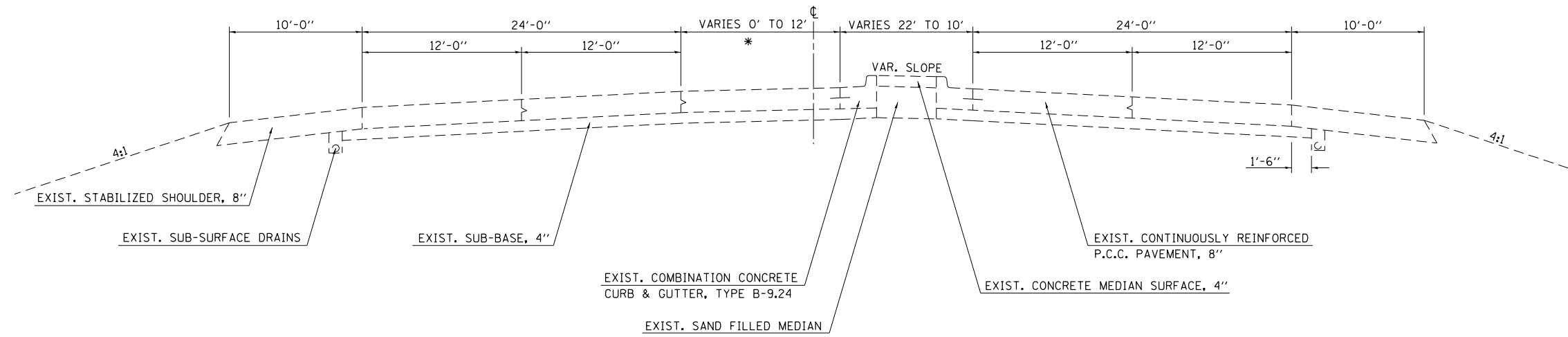
TYPICAL CROSS SECTIONS

SCALE: N/A SHEET 4 OF 7 SHEETS STA. TO STA.

• F.A.P. RTE. 712, F.A.U. RTE. 7464			
F.A. RTE.	SECTION	COUNTY	TOTAL SHEETS
	58-64-IRS, 126RS-2	Macon	69
			SHEET NO. 11
			CONTRACT NO. 74537
ILLINOIS FED. AID PROJECT			

⑤ EXISTING TYPICAL CROSS SECTION

② STA. 129+29.00 TO STA. 208+77.88 (BK)
 STA. 208+77.88 (BK) = STA. 28+06.10 (AH)
 STA. 28+06.10 (AH) TO STA. 30+58.00 ⑥

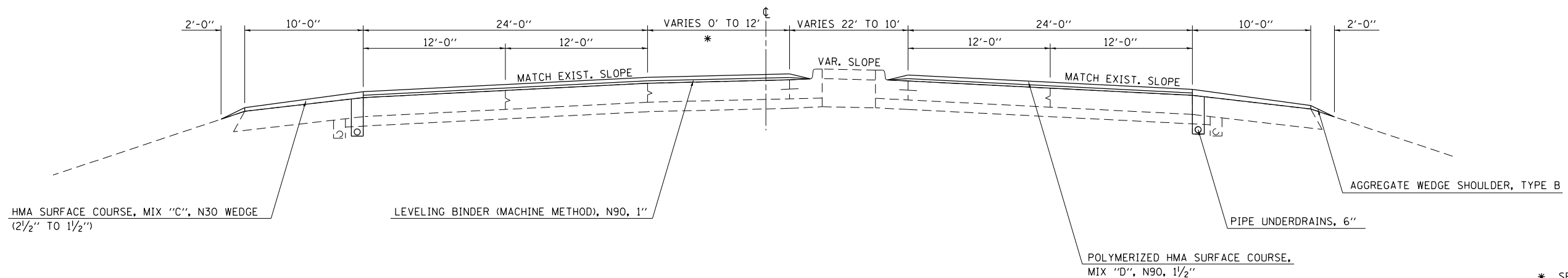


* SEE PLAN SHEETS FOR TURN LANE LOCATION EITHER LEFT OR RIGHT OF MEDIAN.

NOT TO SCALE

⑤ PROPOSED TYPICAL CROSS SECTION

② STA. 129+29.00 TO STA. 208+77.88 (BK)
 STA. 208+77.88 (BK) = STA. 28+06.10 (AH)
 STA. 28+06.10 (AH) TO STA. 30+58.00 ⑥



* SEE PLAN SHEETS FOR TURN LANE LOCATION EITHER LEFT OR RIGHT OF MEDIAN.

NOT TO SCALE

FILE NAME =	USER NAME = steffenmk	DESIGNED -	REVISED -
ci:\pwork\pwork\stevfenmk\d0271850\074537-sh-typical.dgn		DRAWN -	REVISED -
Default	PLOT SCALE = 100.0000' / in.	CHECKED -	REVISED -
	PLOT DATE = 3/22/2013	DATE -	REVISED -

STATE OF ILLINOIS
 DEPARTMENT OF TRANSPORTATION

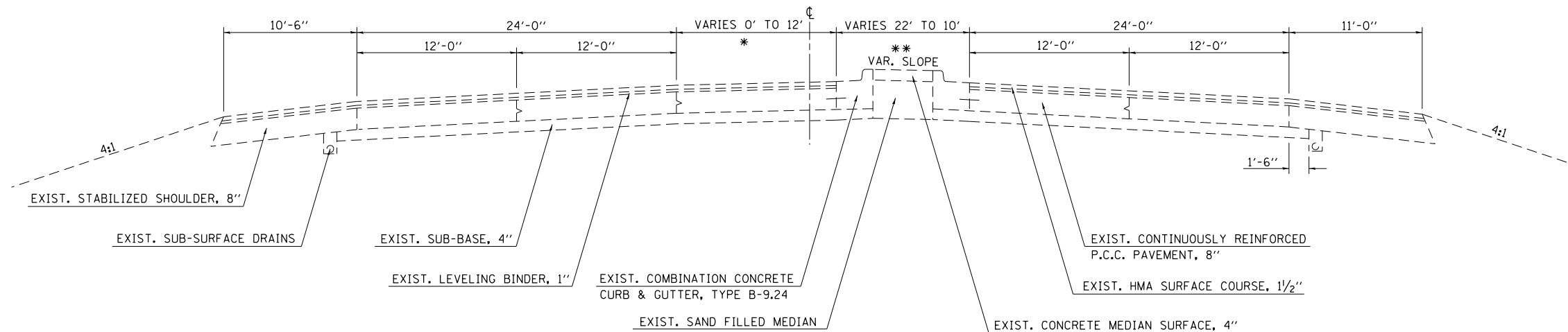
TYPICAL CROSS SECTION

SCALE: N/A SHEET 5 OF 7 SHEETS STA. TO STA.

* F.A.P. RTE. 712, F.A.U. RTE. 7464				
F.A. RTE.	SECTION	COUNTY	TOTAL SHEETS	SHEET NO.
*	58-64-IRS, 126RS-2	Macon	69	12
			CONTRACT NO. 74537	
ILLINOIS FED. AID PROJECT				

⑥ EXISTING TYPICAL CROSS SECTION

⑤ STA. 30+58.00 TO STA. 68+58.00 ⑦



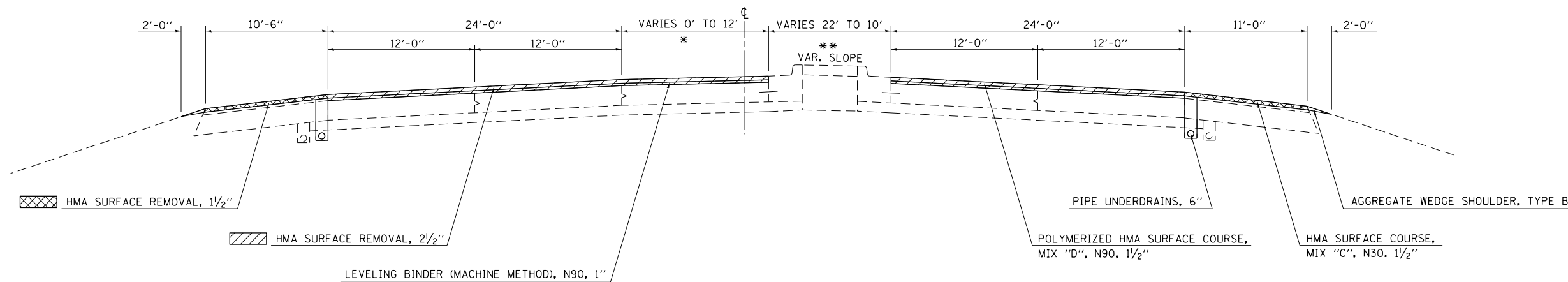
** MEDIAN AT STA. 62+74.00 TO STA. 68+54.00
HMA IS PLACED INTO GUTTER FLAG

* SEE PLAN SHEETS FOR TURN LANE LOCATION EITHER LEFT OR RIGHT OF MEDIAN.

NOT TO SCALE

⑥ PROPOSED TYPICAL CROSS SECTION

⑤ STA. 30+58.00 TO STA. 68+58.00 ⑦



** MEDIAN AT STA. 62+74.00 TO STA. 68+54.00
HMA IS PLACED INTO GUTTER FLAG

* SEE PLAN SHEETS FOR TURN LANE LOCATION EITHER LEFT OR RIGHT OF MEDIAN.

NOT TO SCALE

FILE NAME =	USER NAME = steffenmk	DESIGNED -	REVISED -
ci:\pw\work\p\dot\stefenmk\d0271850\074537-sh-typical.dgn		DRAWN -	REVISED -
Default	PLOT SCALE = 100.0000' / 1in.	CHECKED -	REVISED -
	PLOT DATE = 3/22/2013	DATE -	REVISED -

STATE OF ILLINOIS
DEPARTMENT OF TRANSPORTATION

TYPICAL CROSS SECTION

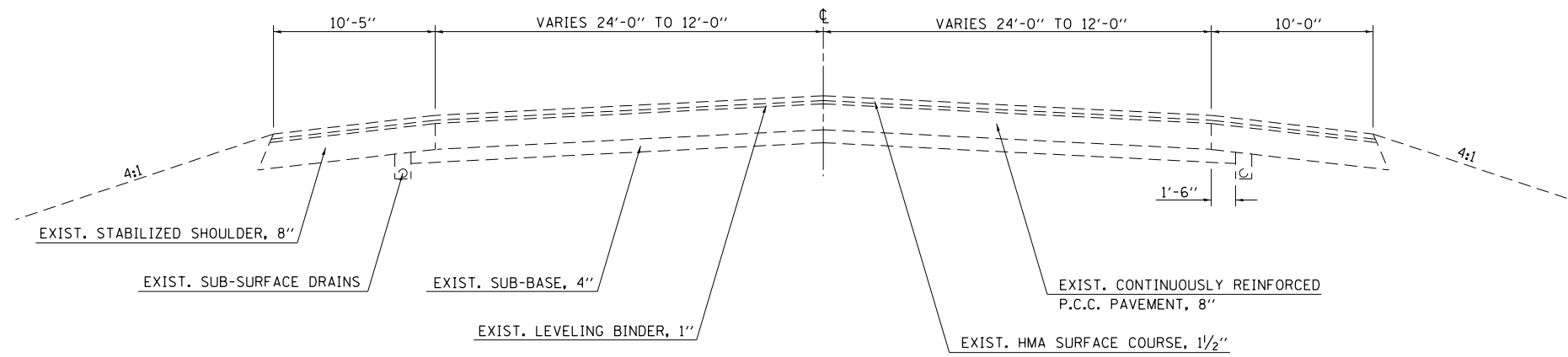
SCALE: N/A SHEET 6 OF 7 SHEETS STA. TO STA.

F.A.P. RTE. 712, F.A.U. RTE. 7464

F.A. RTE.	SECTION	COUNTY	TOTAL SHEETS	SHEET NO.
*	58-64-IRS, 126RS-2	Macon	69	13
CONTRACT NO. 74537			ILLINOIS FED. AID PROJECT	

⑦ EXISTING TYPICAL CROSS SECTION

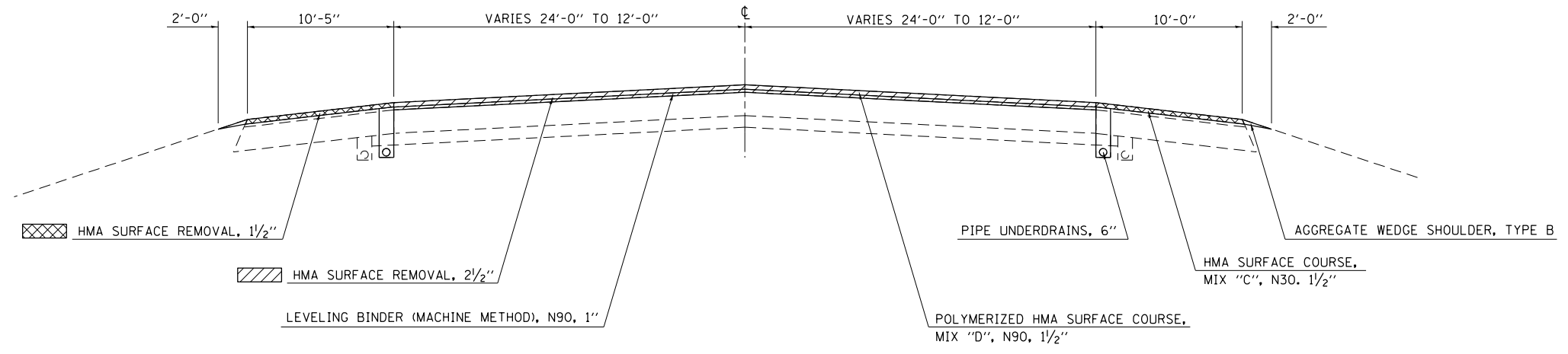
⑥ STA. 68+58.00 TO STA. 79+50.00



NOT TO SCALE

⑦ PROPOSED TYPICAL CROSS SECTION

⑥ STA. 68+58.00 TO STA. 79+50.00



NOT TO SCALE

FILE NAME =	USER NAME = steffenmk	DESIGNED -	REVISED -
ci:\pwork\pwork\steffenmk\d0271850\074537-sh-typicals.dgn		DRAWN -	REVISED -
Default	PLOT SCALE = 100.0000' / in.	CHECKED -	REVISED -
	PLOT DATE = 3/22/2013	DATE -	REVISED -

**STATE OF ILLINOIS
DEPARTMENT OF TRANSPORTATION**

TYPICAL CROSS SECTIONS			
SCALE: N/A	SHEET 7	OF 7 SHEETS	STA. TO STA.

• F.A.P. RTE. 712, F.A.U. RTE. 7464				
F.A. RTE.	SECTION	COUNTY	TOTAL SHEETS	SHEET NO.
•	58-64-IRS, 126RS-2	Macon	69	14
CONTRACT NO. 74537			ILLINOIS FED. AID PROJECT	