

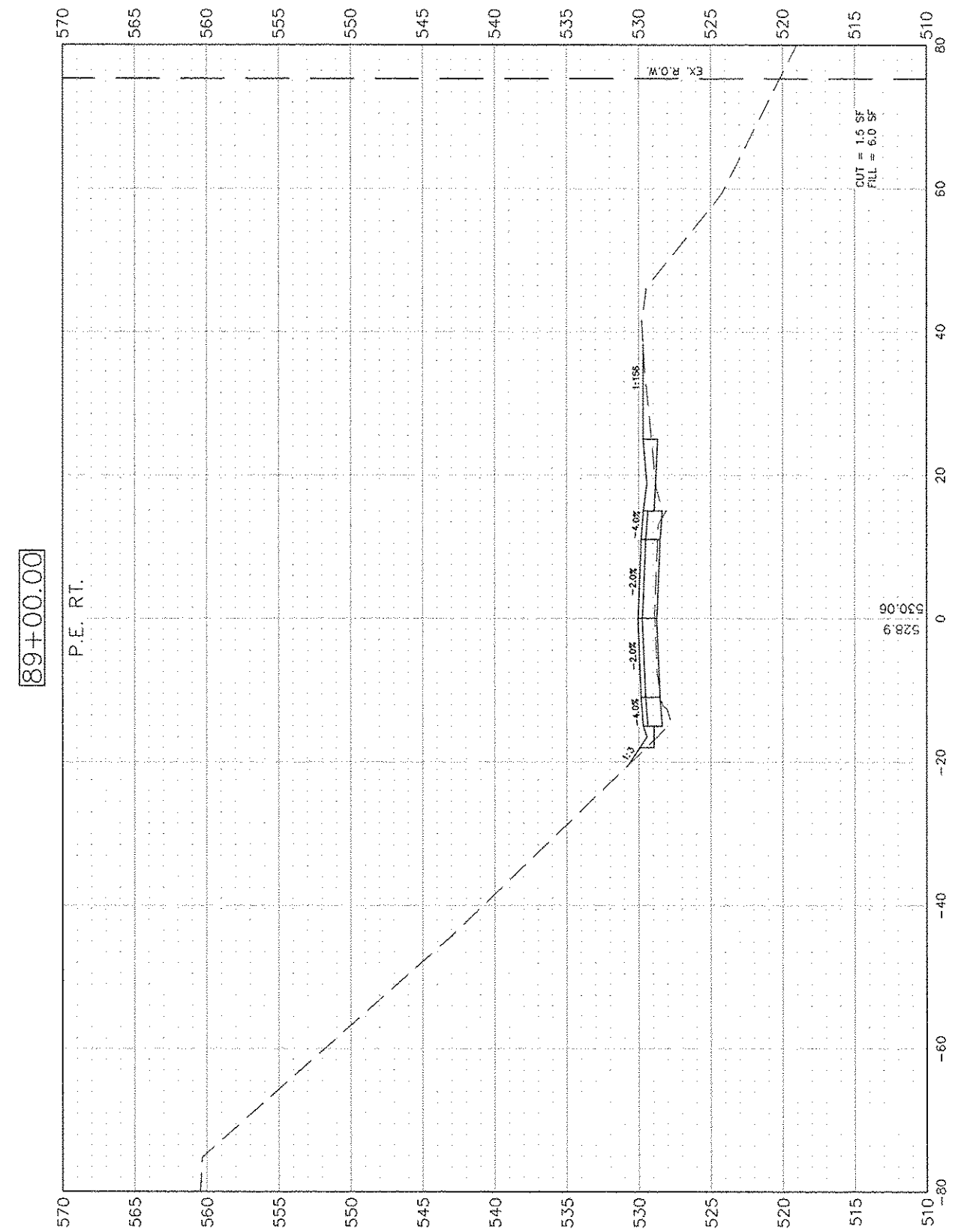
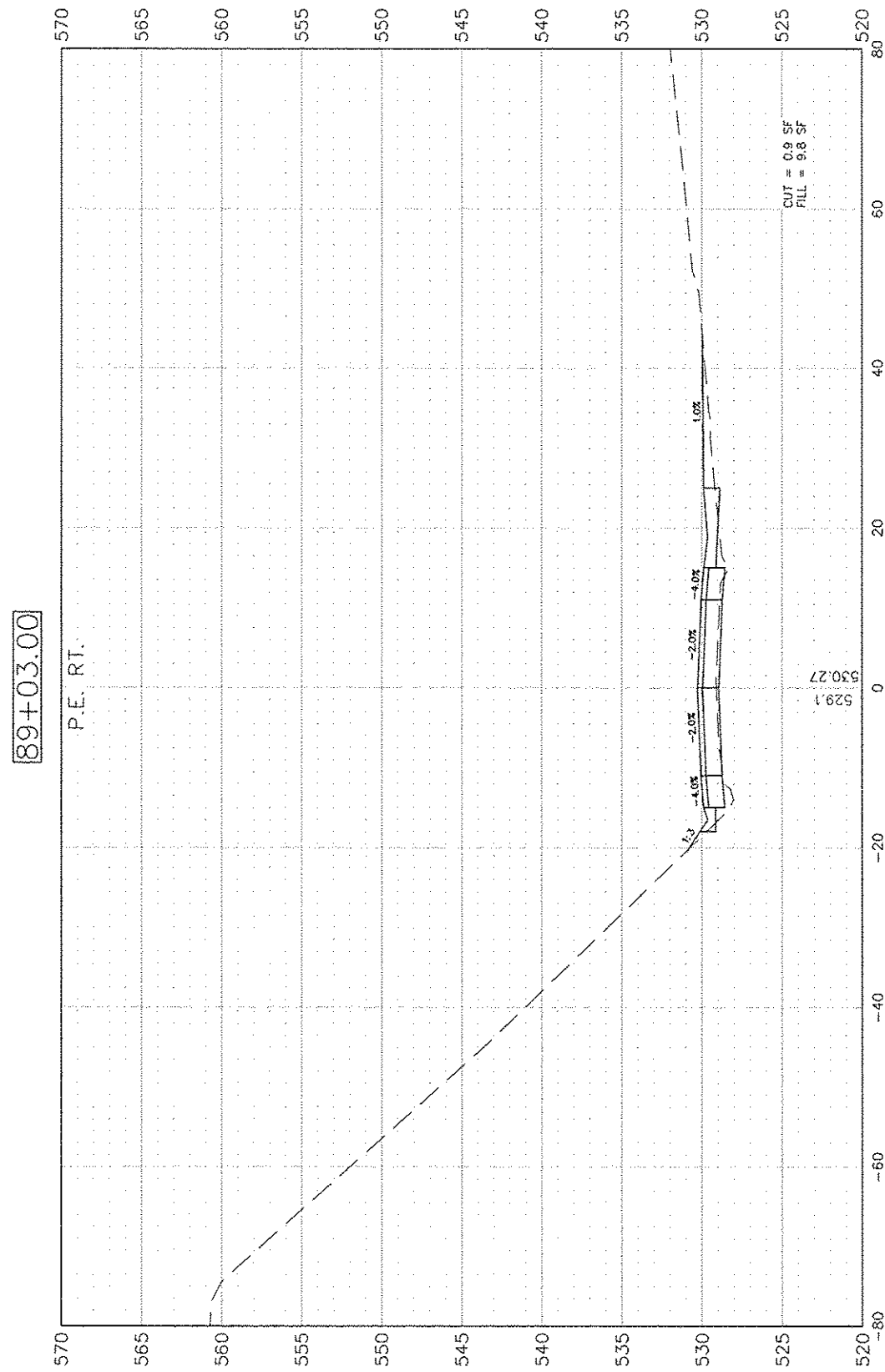
FILE NAME = 164-308	USER NAME = Horgan, Chris	DESIGNED - CAW	REVISED -
		DRAWN - CSH	REVISED -
	PLOT SCALE = 1:2	CHECKED - JAL	REVISED -
	PLOT DATE = 10/21/2014	DATE - 10/21/2014	REVISED -

STATE OF ILLINOIS
DEPARTMENT OF TRANSPORTATION

CROSS SECTION

SCALE: 1:10 SHEET NO. 101 OF 153 SHEETS STA. 88+00 TO STA. 88+50

F.A.S. RTE. 748	SECTION 11-00027-03-RS	COUNTY JERSEY	TOTAL SHEETS 153	SHEET NO. 101
CONTRACT NO.: 97574				
FED. ROAD DIST. NO. 8 ILLINOIS FED. AID PROJECT				



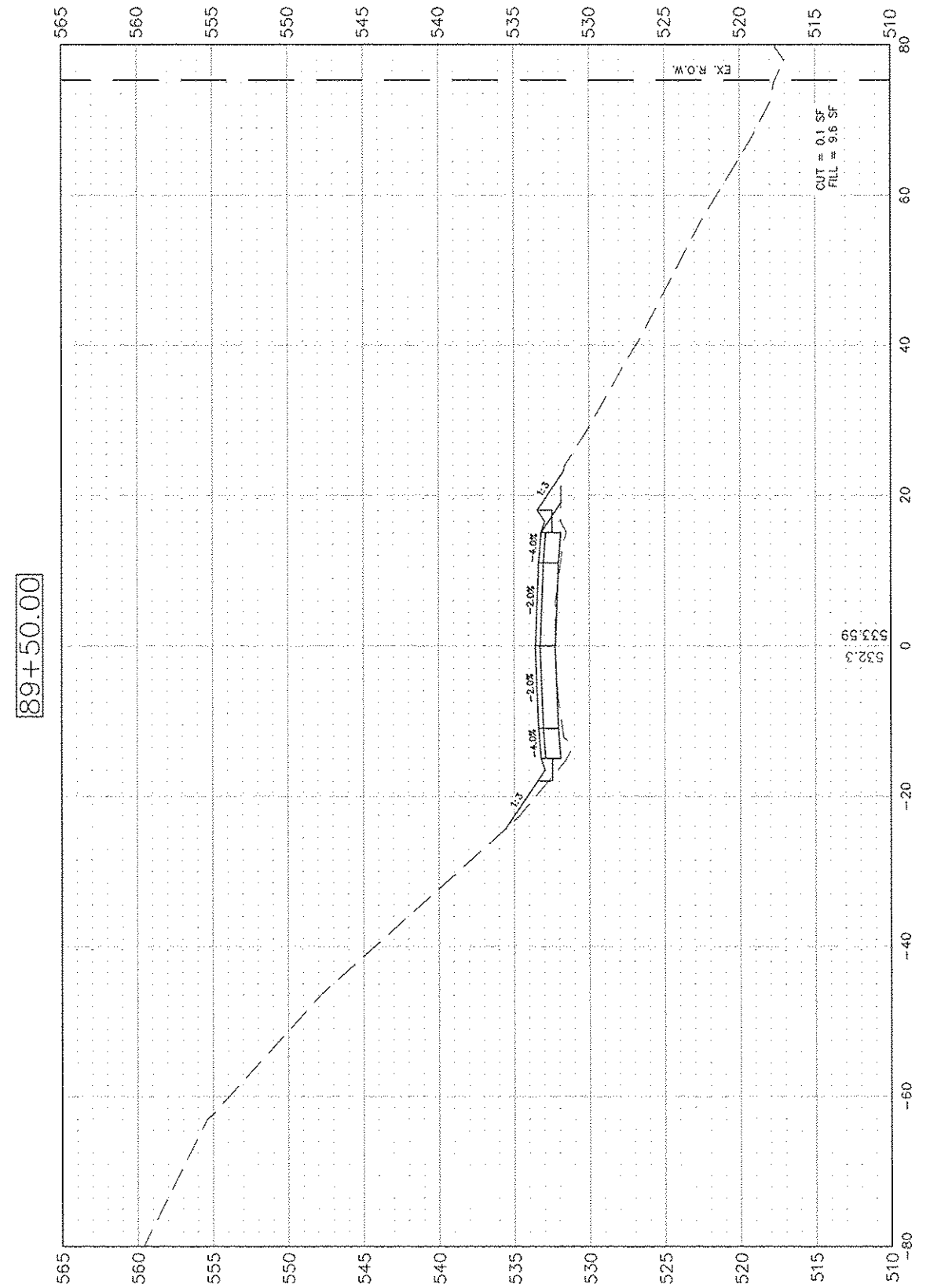
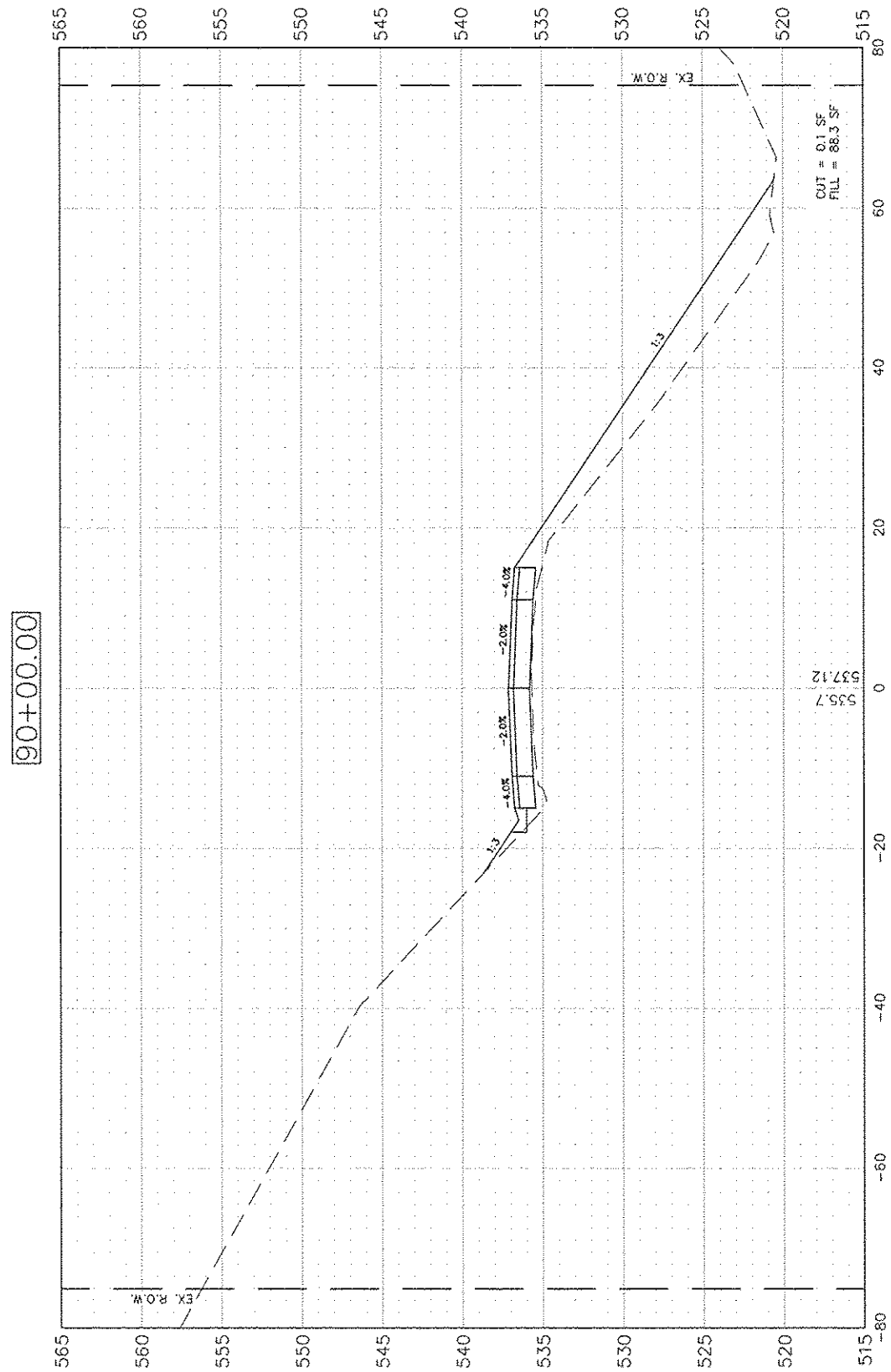
FILE NAME = 164-308	USER NAME = Hargan, Chris	DESIGNED - CAW	REVISED -
		DRAWN - CSH	REVISED -
	PLOT SCALE = 1:2	CHECKED - JAL	REVISED -
	PLOT DATE = 10/21/2014	DATE - 10/21/2014	REVISED -

**STATE OF ILLINOIS
DEPARTMENT OF TRANSPORTATION**

CROSS SECTION

SCALE: 1:10 SHEET NO. 102 OF 153 SHEETS STA. 89+00 TO STA. 89+03

F.A.S. RTE. 748	SECTION 11-00027-03-RS	COUNTY JERSEY	TOTAL SHEETS 153	SHEET NO. 102
CONTRACT NO.: 97574				
FED. ROAD DIST. NO. 8 I. ILLINOIS FED. AID PROJECT				



FILE NAME = 164-308	USER NAME = Horgon, Chris	DESIGNED - CAW	REVISED -
		DRAWN - CSH	REVISED -
	PLOT SCALE = 1:2	CHECKED - JAL	REVISED -
	PLOT DATE = 10/21/2014	DATE - 10/21/2014	REVISED -

STATE OF ILLINOIS
DEPARTMENT OF TRANSPORTATION

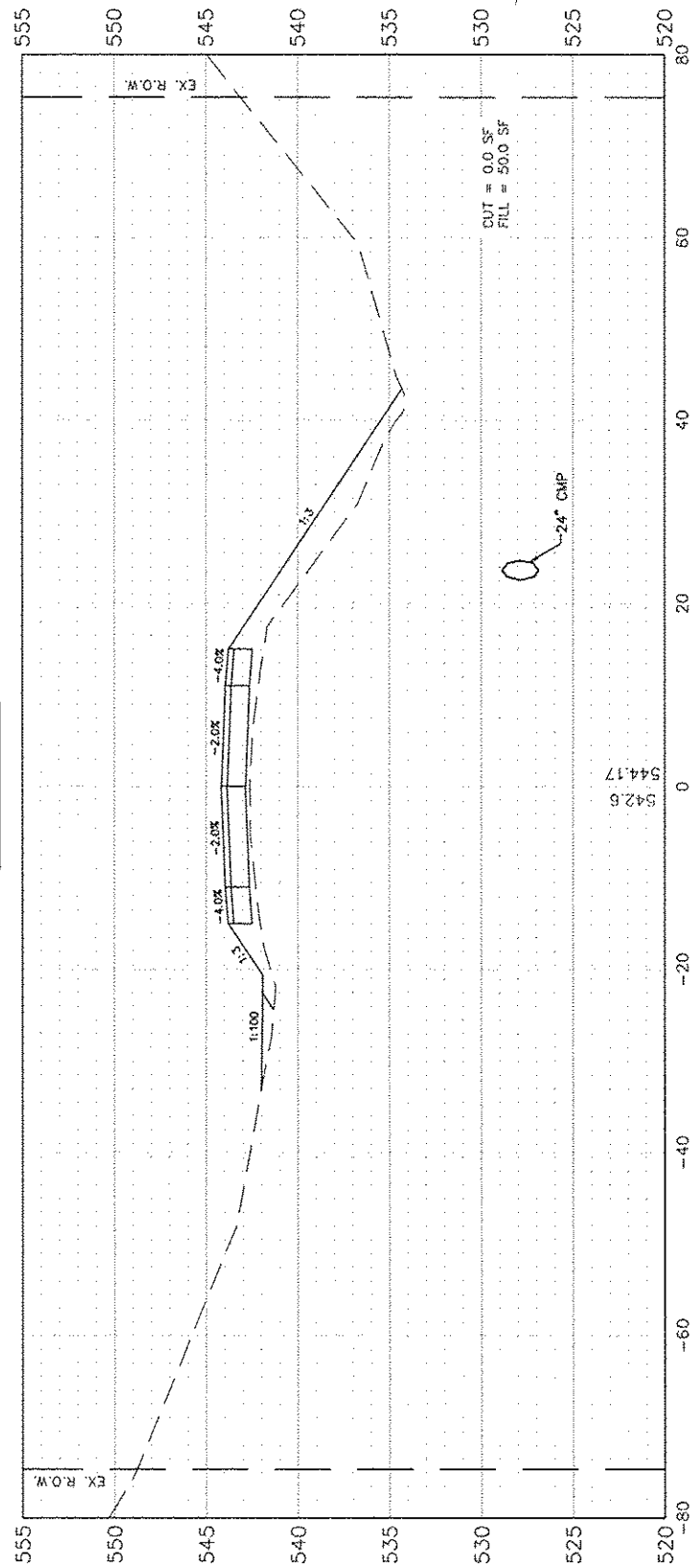
CROSS SECTION

SCALE: 1:10 SHEET NO. 103 OF 153 SHEETS STA. 89+50 TO STA. 90+00

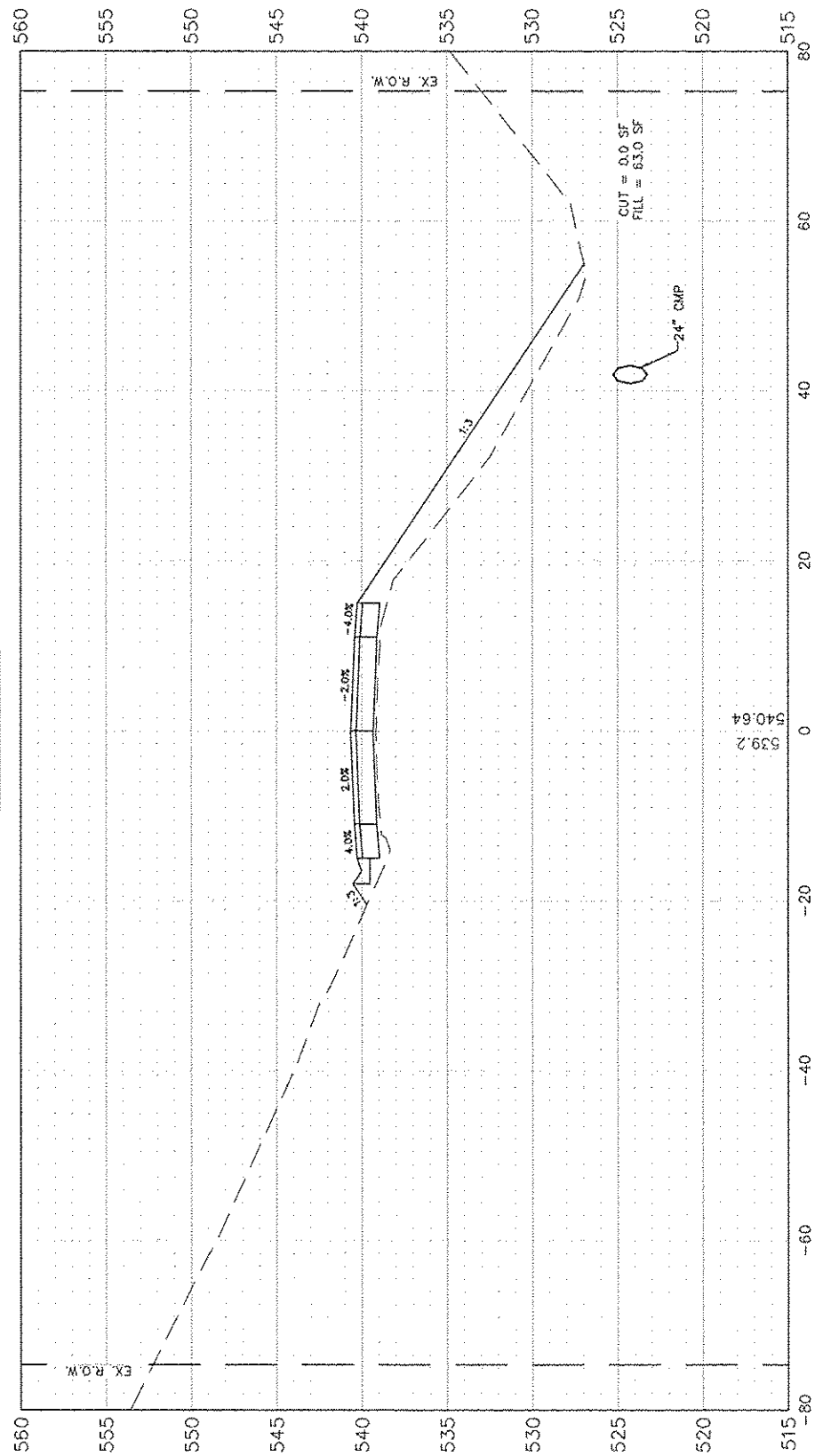
F.A.S. RTE.	SECTION	COUNTY	TOTAL SHEETS	SHEET NO.
748	11-00027-03-RS	JERSEY	153	103
CONTRACT NO.: 97574				

FED. ROAD DIST. NO. 4 ILLINOIS TURNPIKE PROJECT

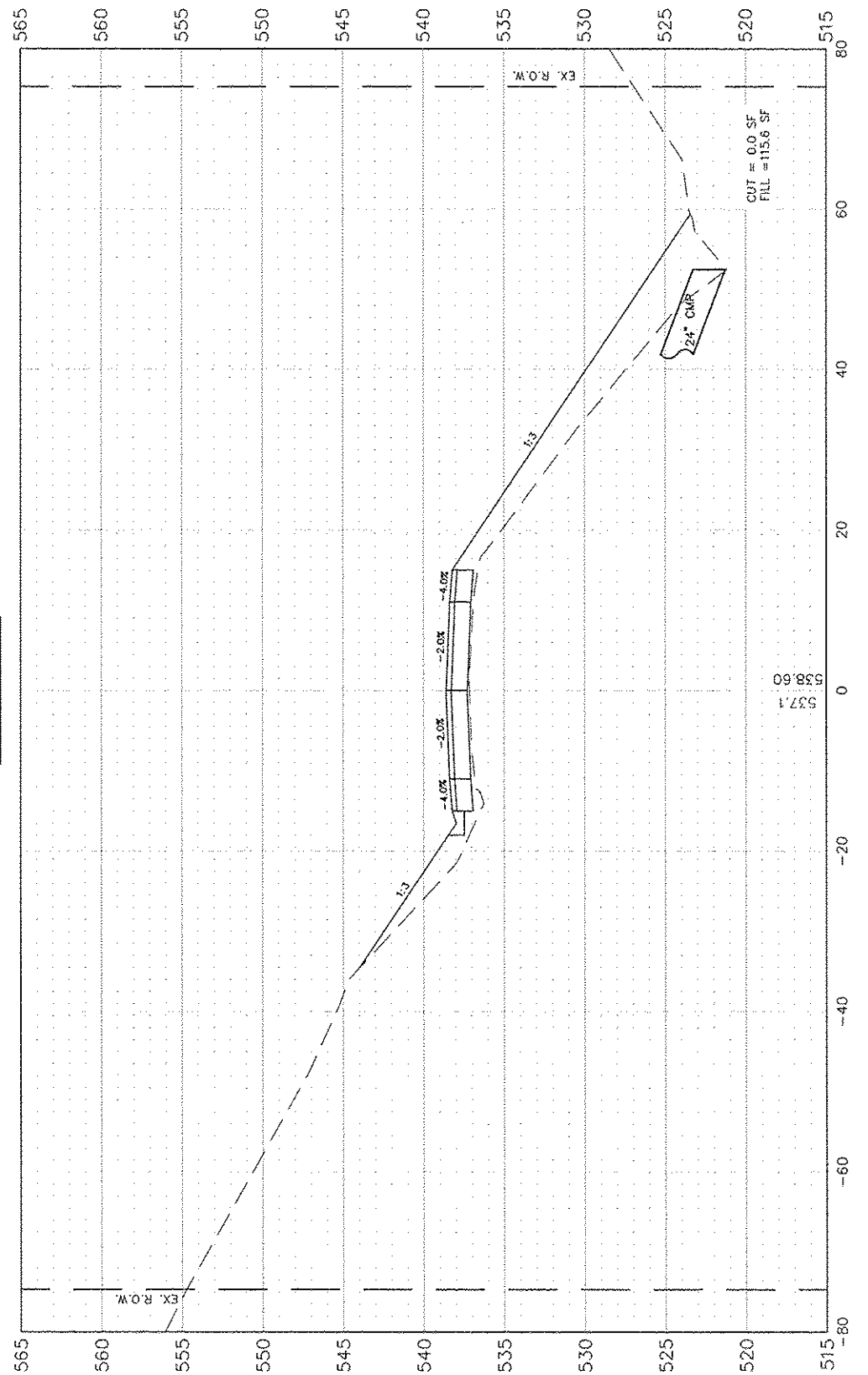
91+00.00



90+50.00



90+21.00



FILE NAME = 164-308

USER NAME = Hargon, Chris
DESIGNED = CAW
DRAWN = CSH
CHECKED = JAL
DATE = 10/21/2014

REVISED =
REVISED =
REVISED =
REVISED =

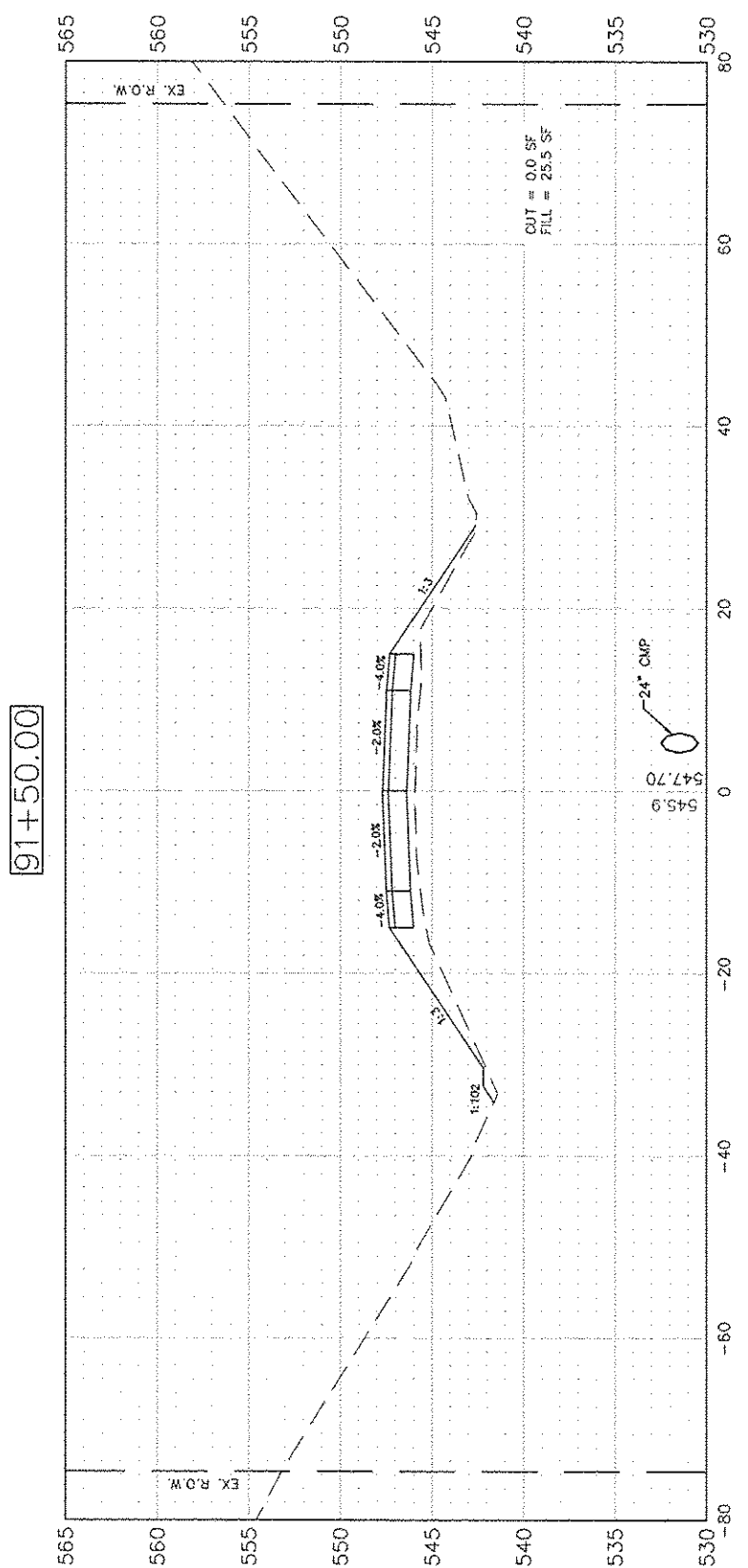
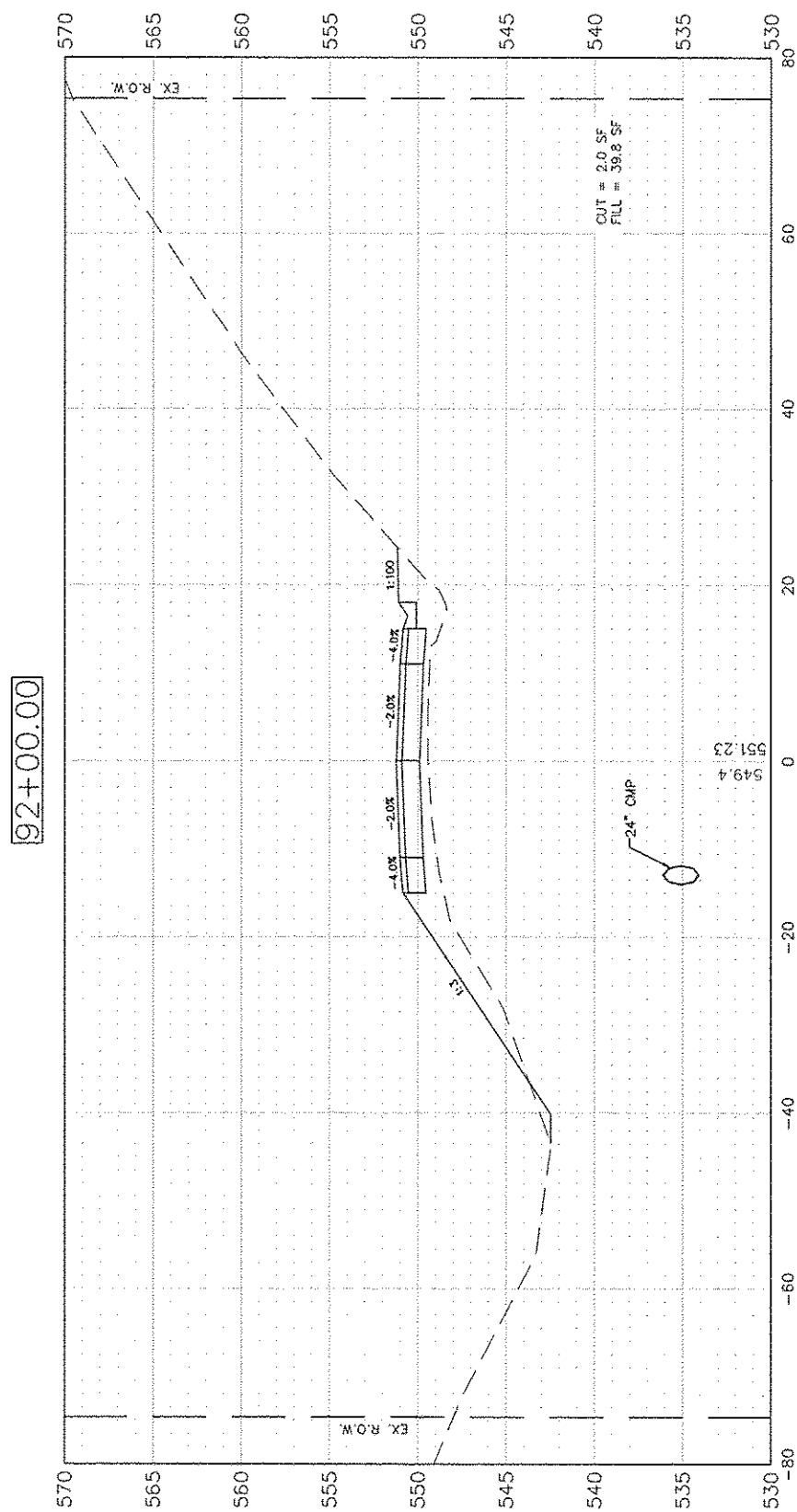
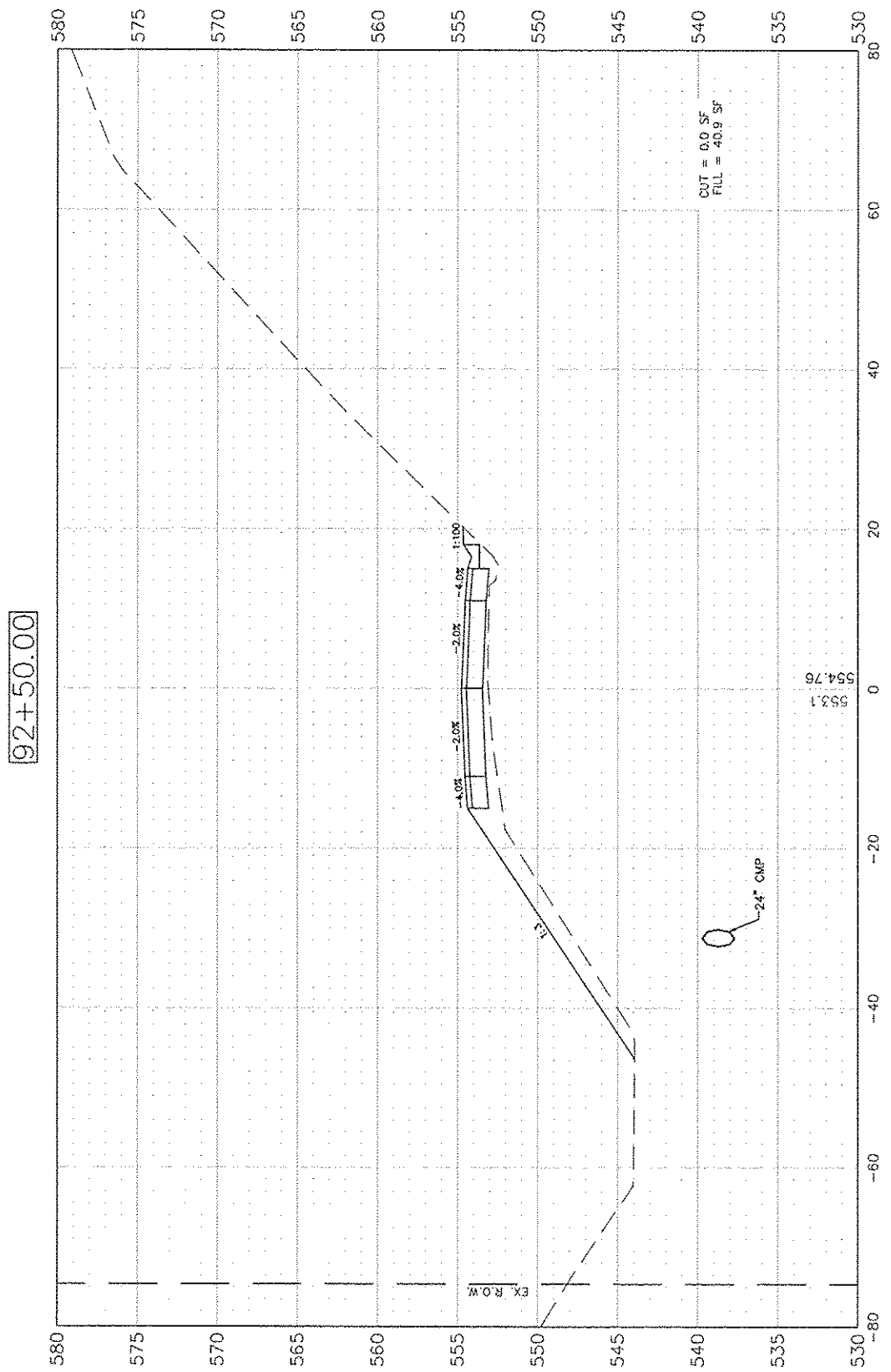
STATE OF ILLINOIS
DEPARTMENT OF TRANSPORTATION

CROSS SECTION

SCALE: 1:10 SHEET NO. 104 OF 153 SHEETS STA. 90+21 TO STA. 91+00

F.A.S. RTE.	SECTION	COUNTY	TOTAL SHEETS	SHEET NO.
748	11-00027-03-RS	JERSEY	153	104
CONTRACT NO.: 97574				

FED. ROAD DIST. NO. 8 ILLINOIS FED. AID PROJECT



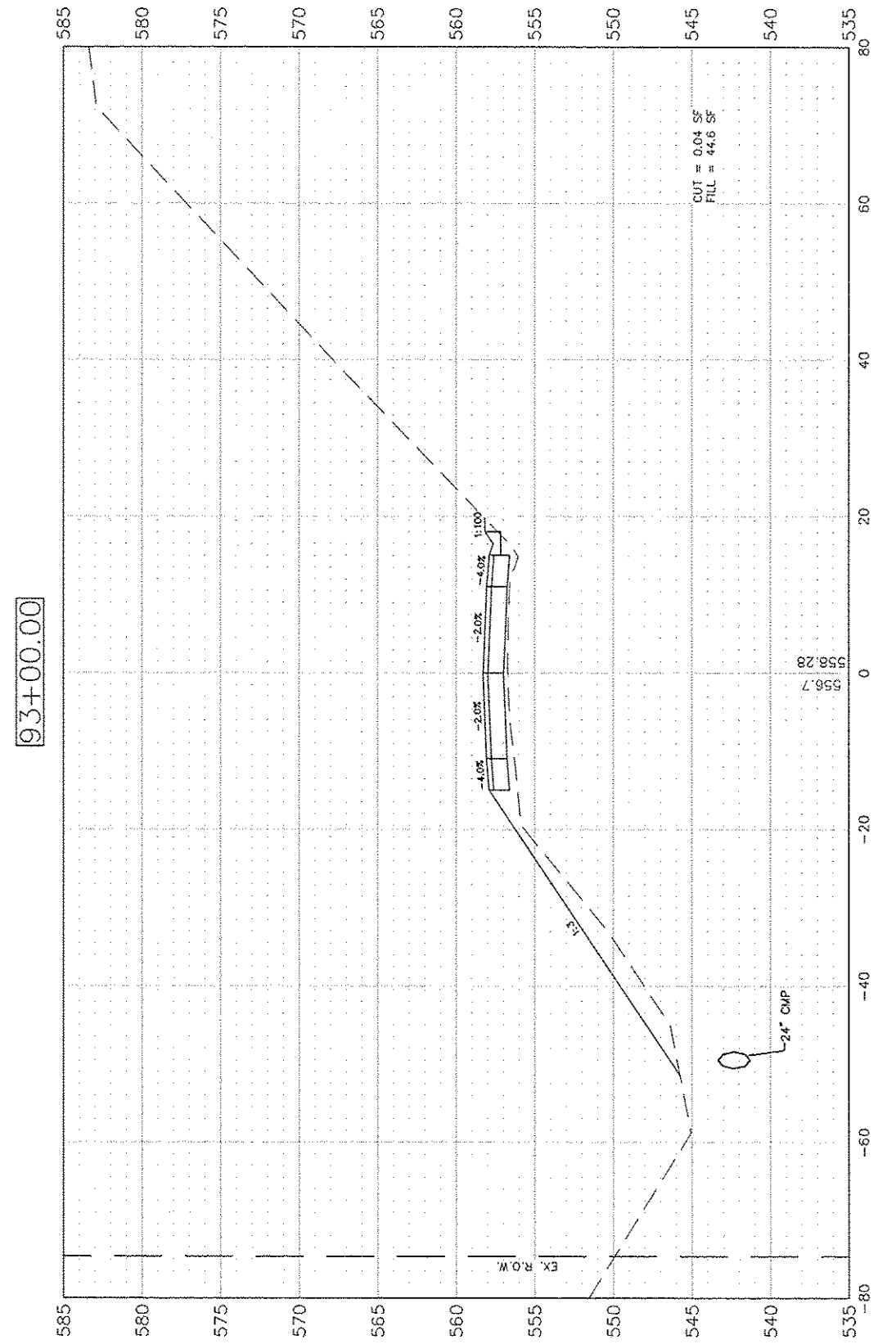
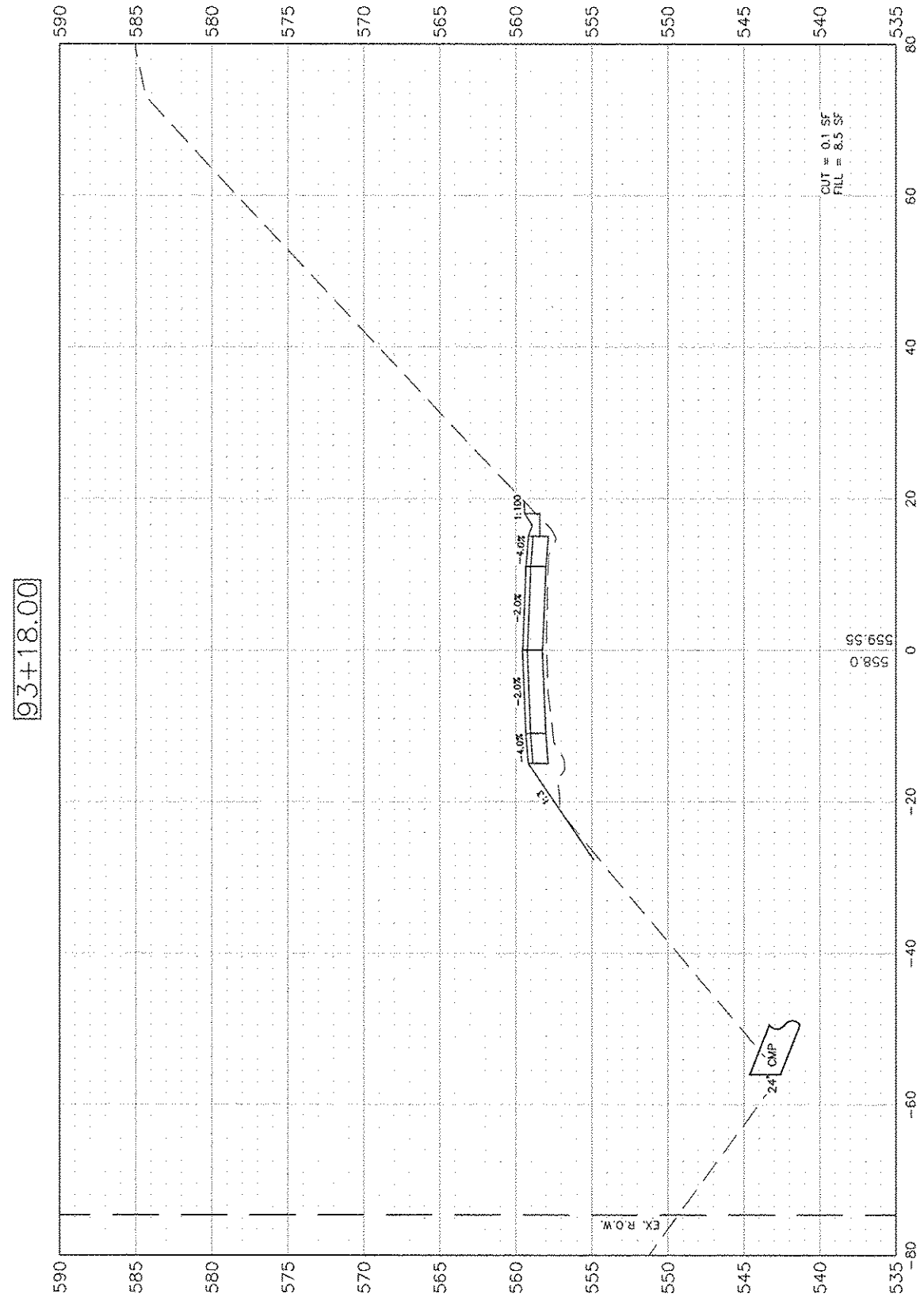
FILE NAME =	USER NAME = Horgan, Chris	DESIGNED = CAW	REVISED =
164-308		DRAWN = CSH	REVISED =
	PLOT SCALE = 1:2	CHECKED = JAL	REVISED =
	PLOT DATE = 10/21/2014	DATE = 10/21/2014	REVISED =

STATE OF ILLINOIS
DEPARTMENT OF TRANSPORTATION

CROSS SECTION

SCALE: 1:10 SHEET NO. 105 OF 153 SHEETS STA. 91+50 TO STA. 92+50

F.A.S. RTE.	SECTION	COUNTY	TOTAL SHEETS	SHEET NO.
748	11-00027-03-RS	JERSEY	153	105
CONTRACT NO.: 97574			FED. ROAD DIST. NO. & ILLINOIS TRFD. AD. PROJECT	

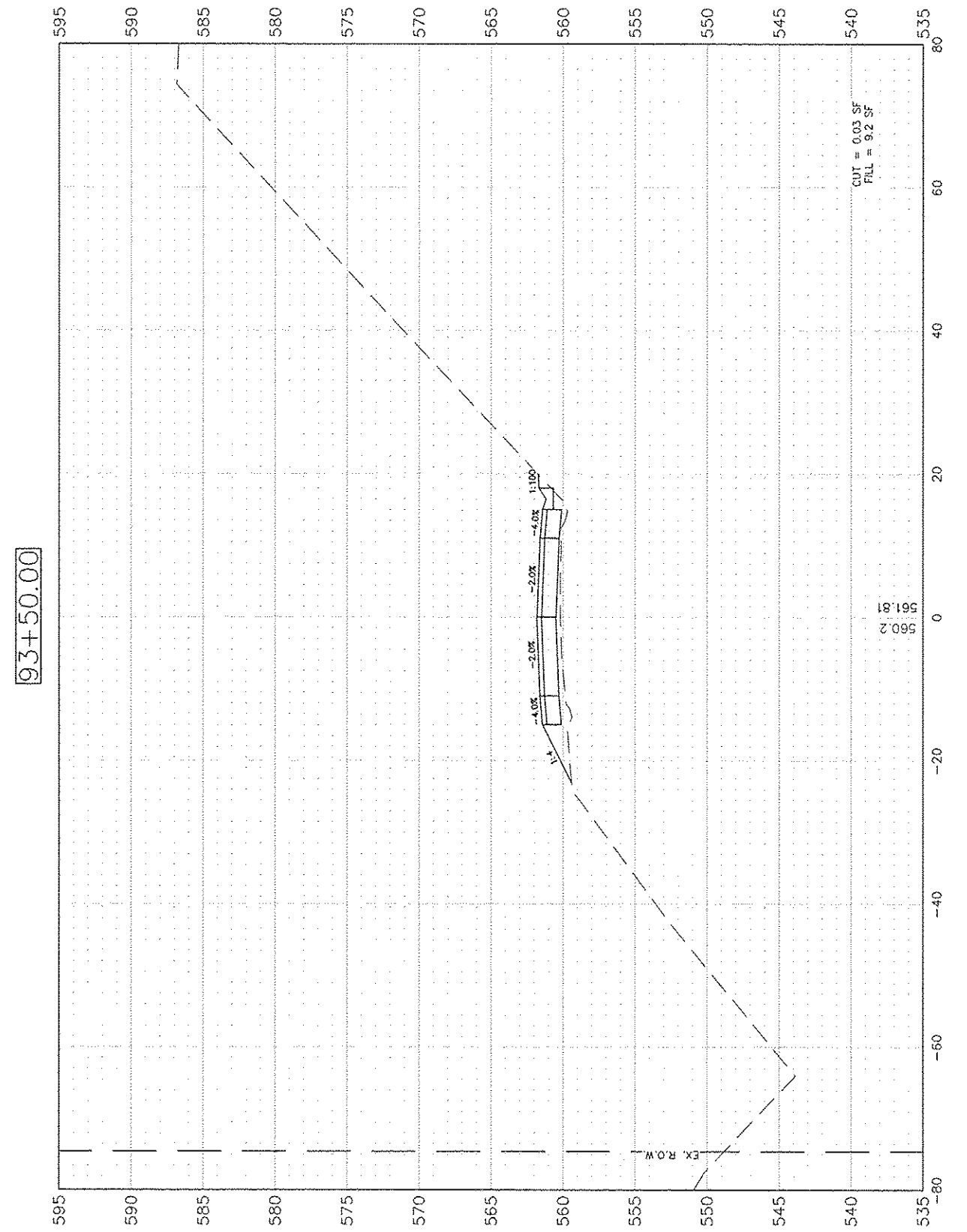
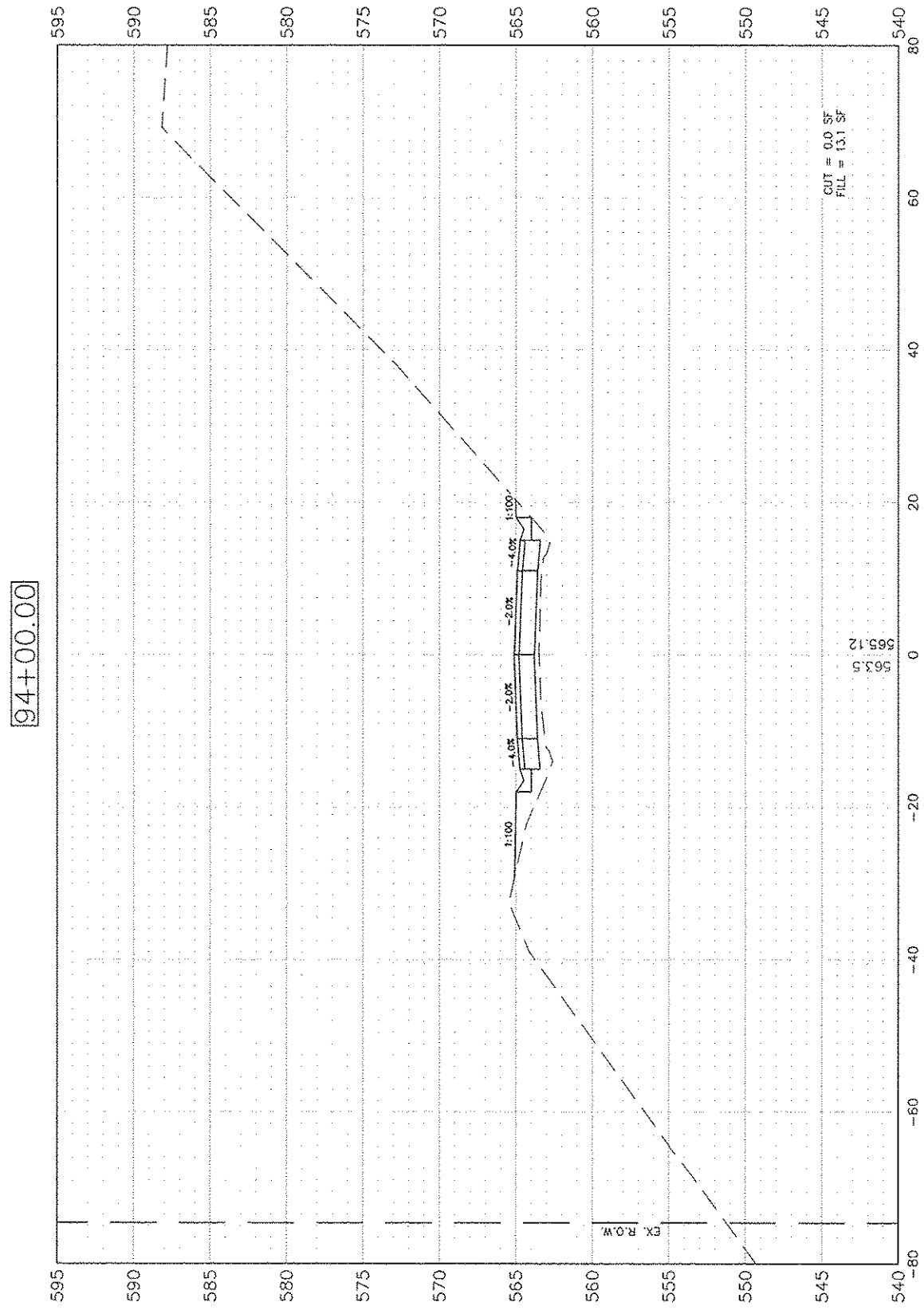


FILE NAME = 164-308	USER NAME = Hargan, Chris	DESIGNED - CAW	REVISED -
		DRAWN - CSH	REVISED -
	PLOT SCALE = 1:2	CHECKED - JAL	REVISED -
	PLOT DATE = 10/21/2014	DATE = 10/21/2014	REVISED -

STATE OF ILLINOIS
DEPARTMENT OF TRANSPORTATION

CROSS SECTION
SCALE: 1:10 SHEET NO. 106 OF 153 SHEETS STA. 93+00 TO STA. 93+18

F.A.S. RTE. 748	SECTION 11-00027-03-RS	COUNTY JERSEY	TOTAL SHEETS 153	SHEET NO. 106
CONTRACT NO.: 97574				



FILE NAME = 164-308	USER NAME = Horgan, Chris	DESIGNED - CAW	REVISED -
		DRAWN - CSH	REVISED -
	PLOT SCALE = 1:2	CHECKED - JAL	REVISED -
	PLOT DATE = 10/21/2014	DATE - 10/21/2014	REVISED -

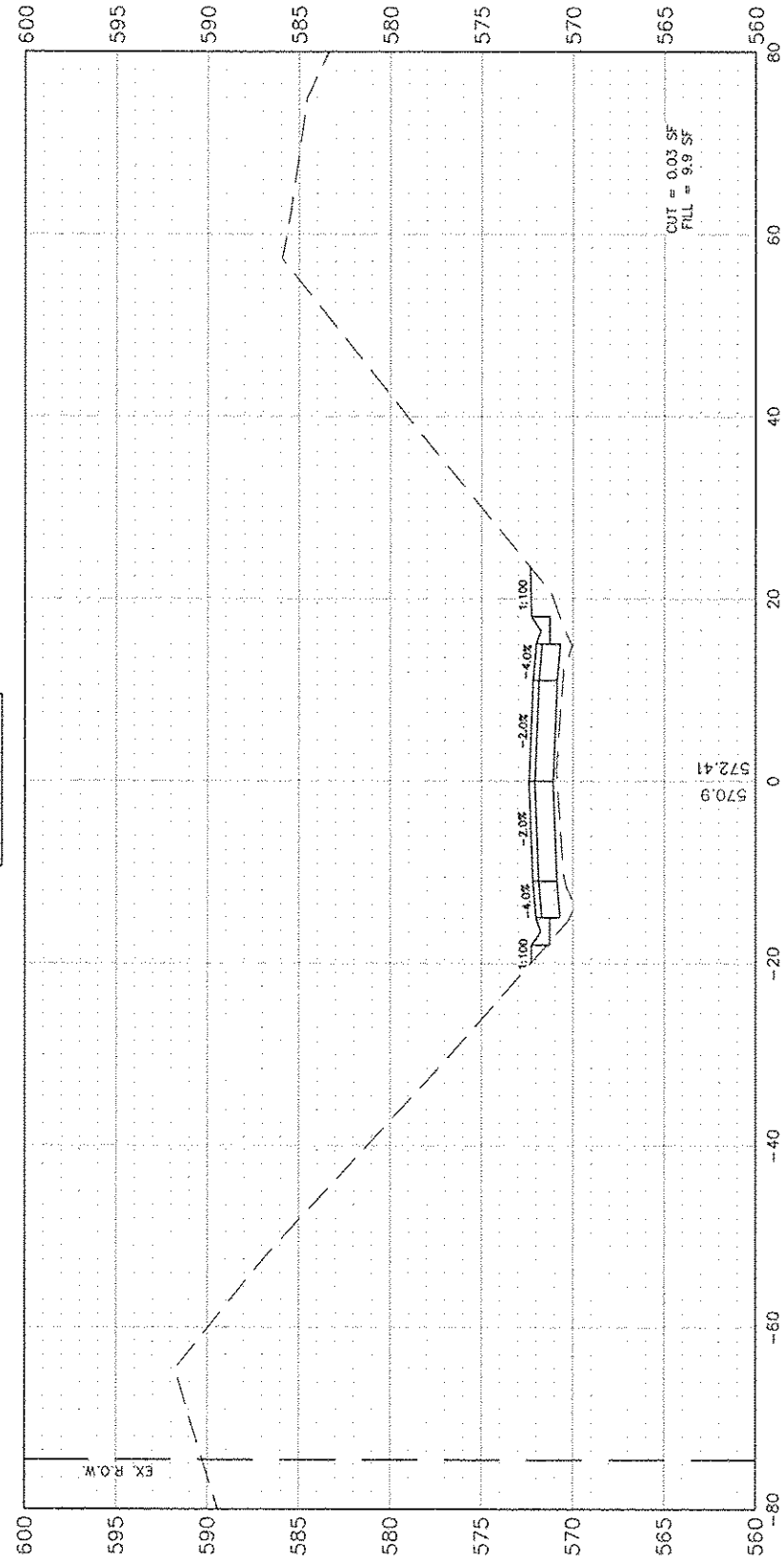
STATE OF ILLINOIS
DEPARTMENT OF TRANSPORTATION

CROSS SECTION

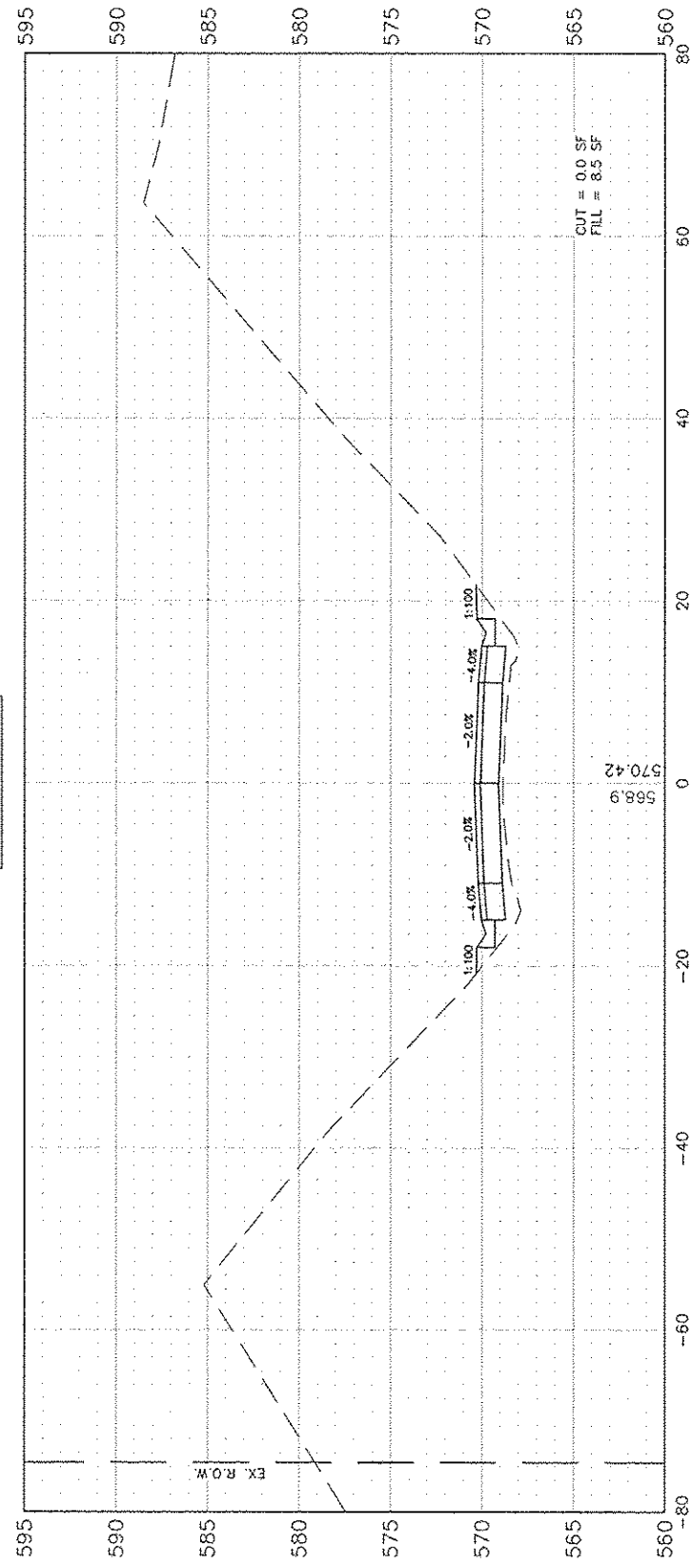
SCALE: 1:10 SHEET NO. 107 OF 153 SHEETS STA. 93+50 TO STA. 94+00

F.A.S. RTE. 748	SECTION 11-00027-03-RS	COUNTY JERSEY	TOTAL SHEETS 153	SHEET NO. 107
CONTRACT NO.: 97574				

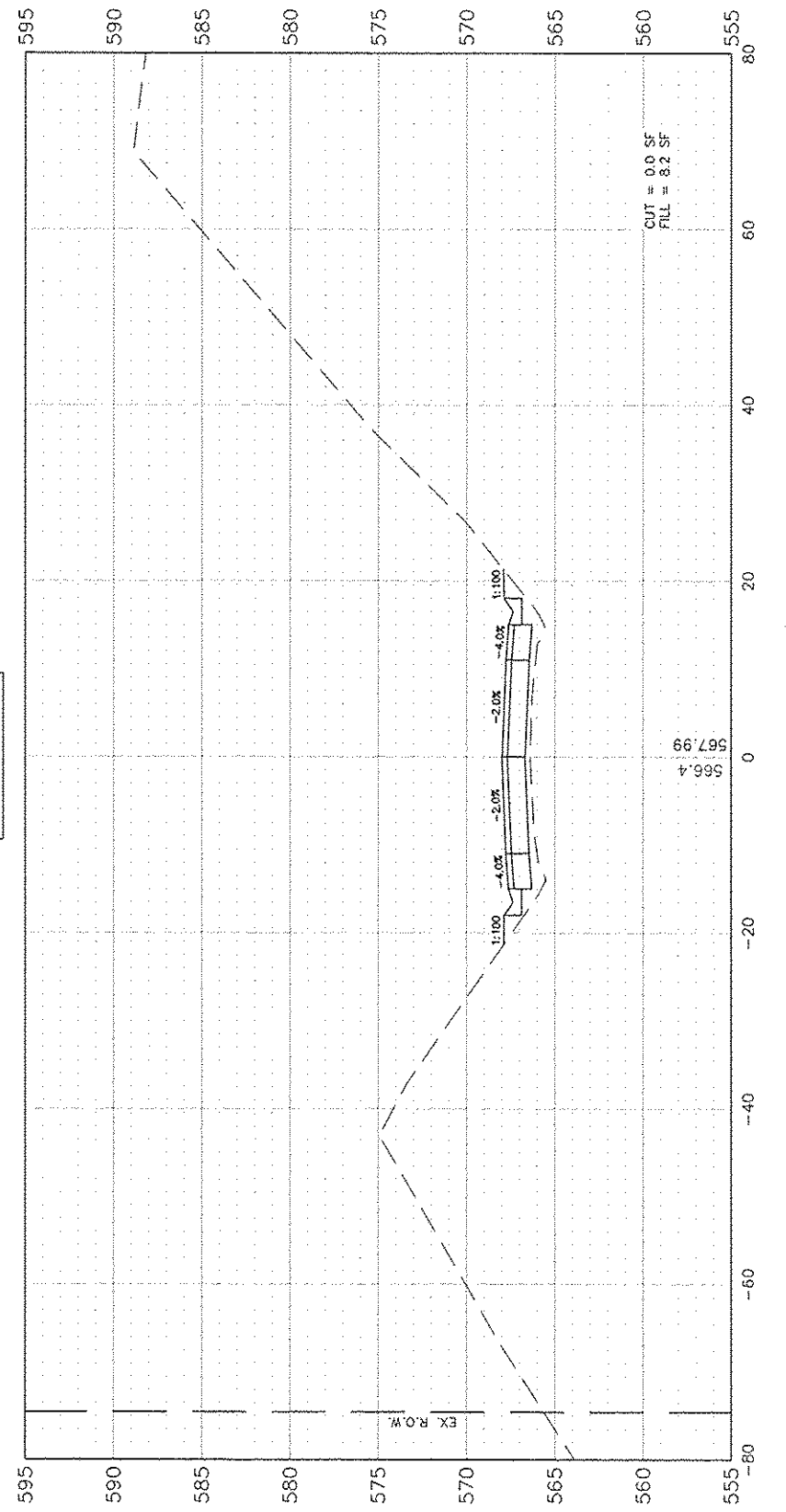
95+50.00



95+00.00



94+50.00



FILE NAME = 164-308	USER NAME	DESIGNED	REVISED
	PLOT SCALE	CHECKED	REVISED
	PLOT DATE	DATE	REVISED
	⇒ Horgan, Chris	- CAW	-
		- CSH	-
	⇒ 1:2	- JAL	-
	⇒ 10/21/2014	- 10/21/2014	-

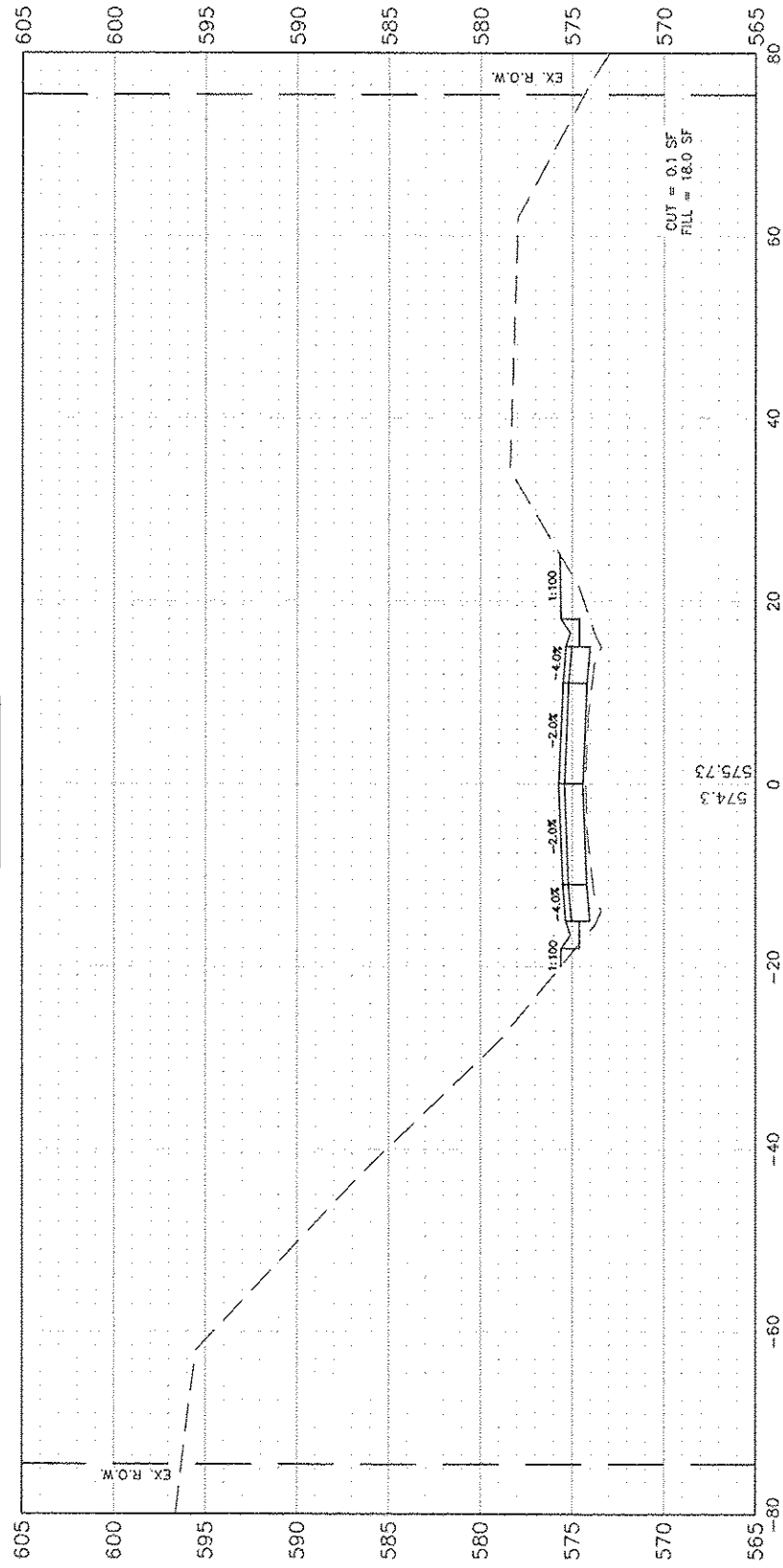
STATE OF ILLINOIS
DEPARTMENT OF TRANSPORTATION

CROSS SECTION

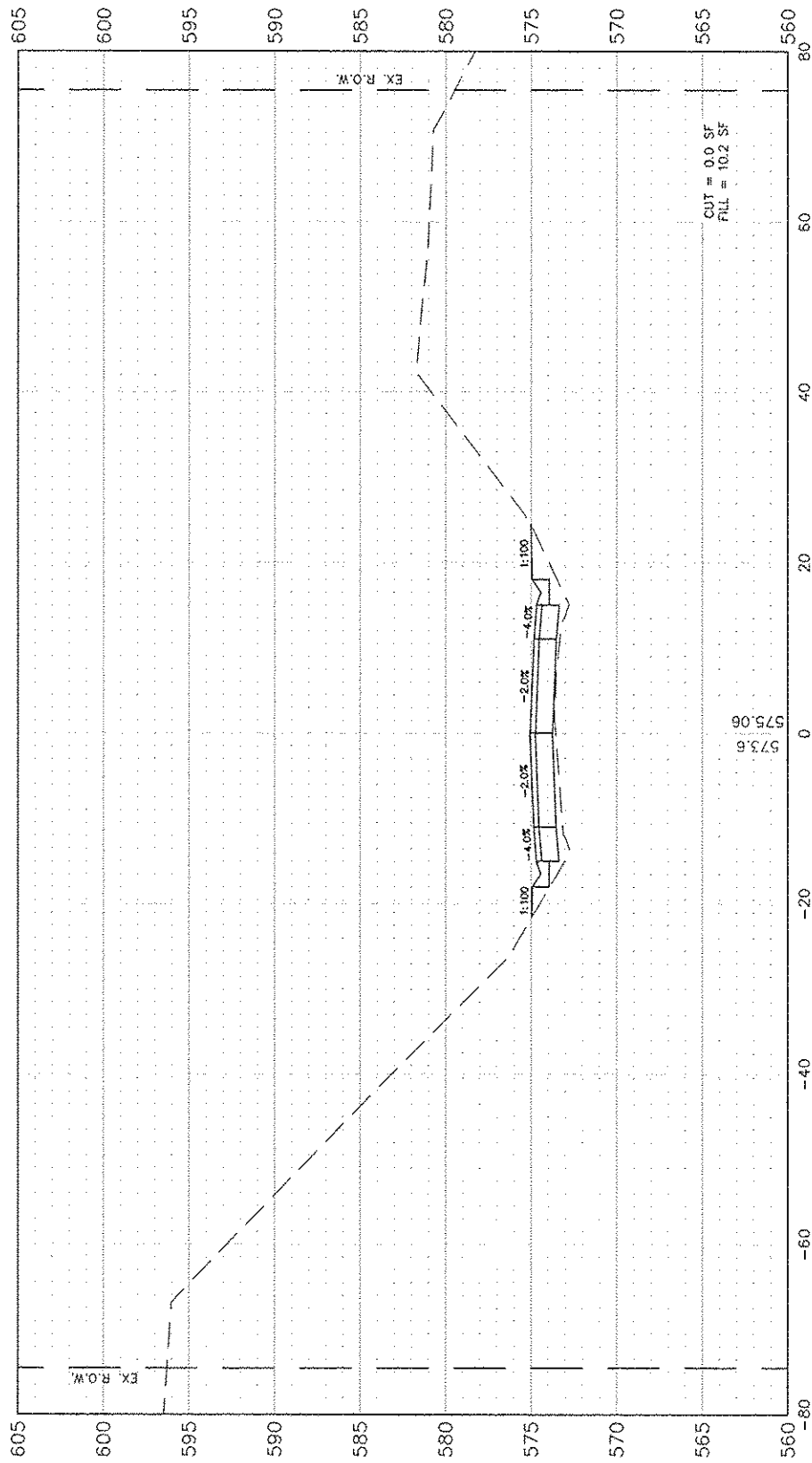
SCALE: 1:10 SHEET NO. 108 OF 153 SHEETS STA. 94+50 TO STA. 95+50

F.A.S. RTE.	SECTION	COUNTY	TOTAL SHEETS	SHEET NO.
748	11-00027-03-RS	JERSEY	153	108
CONTRACT NO.: 97574				

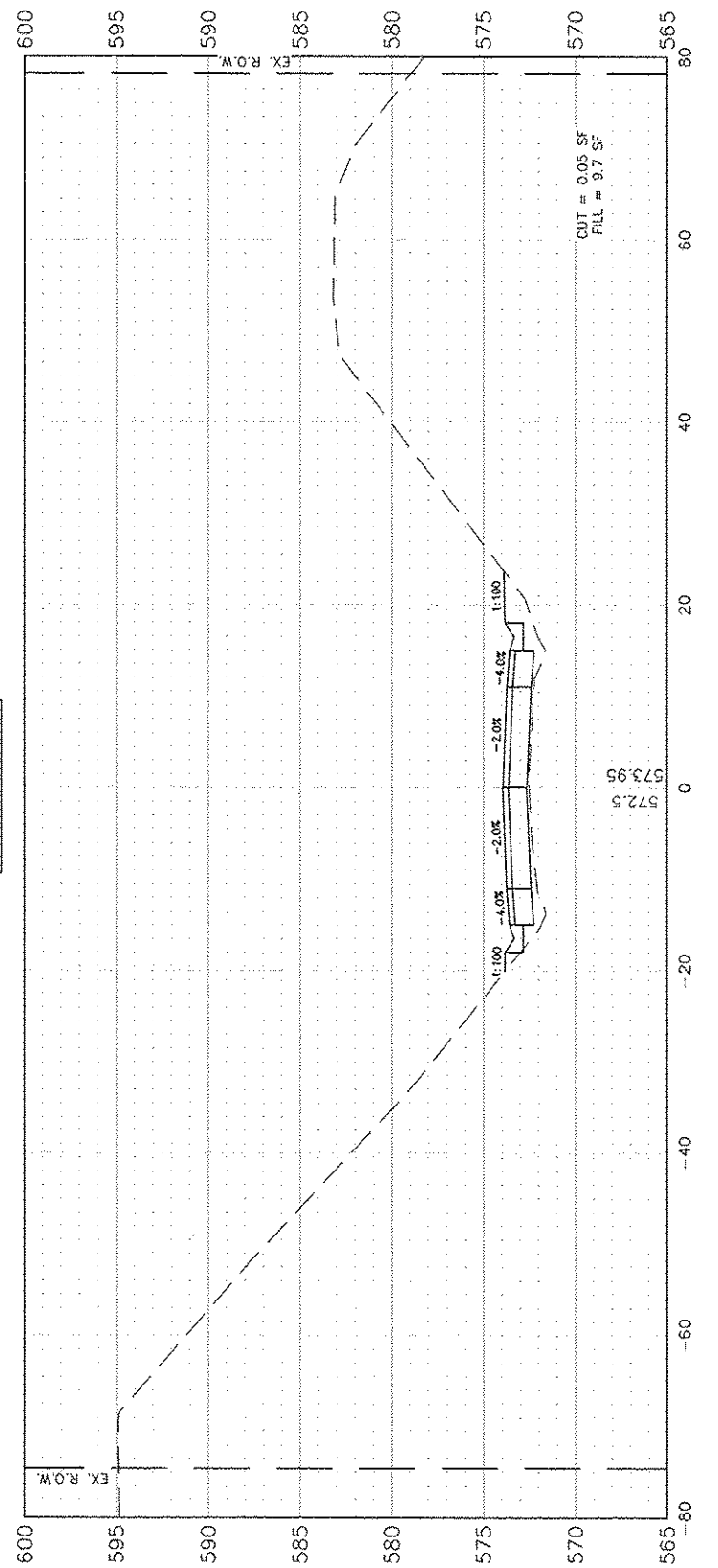
97+00.00



96+50.00



96+00.00



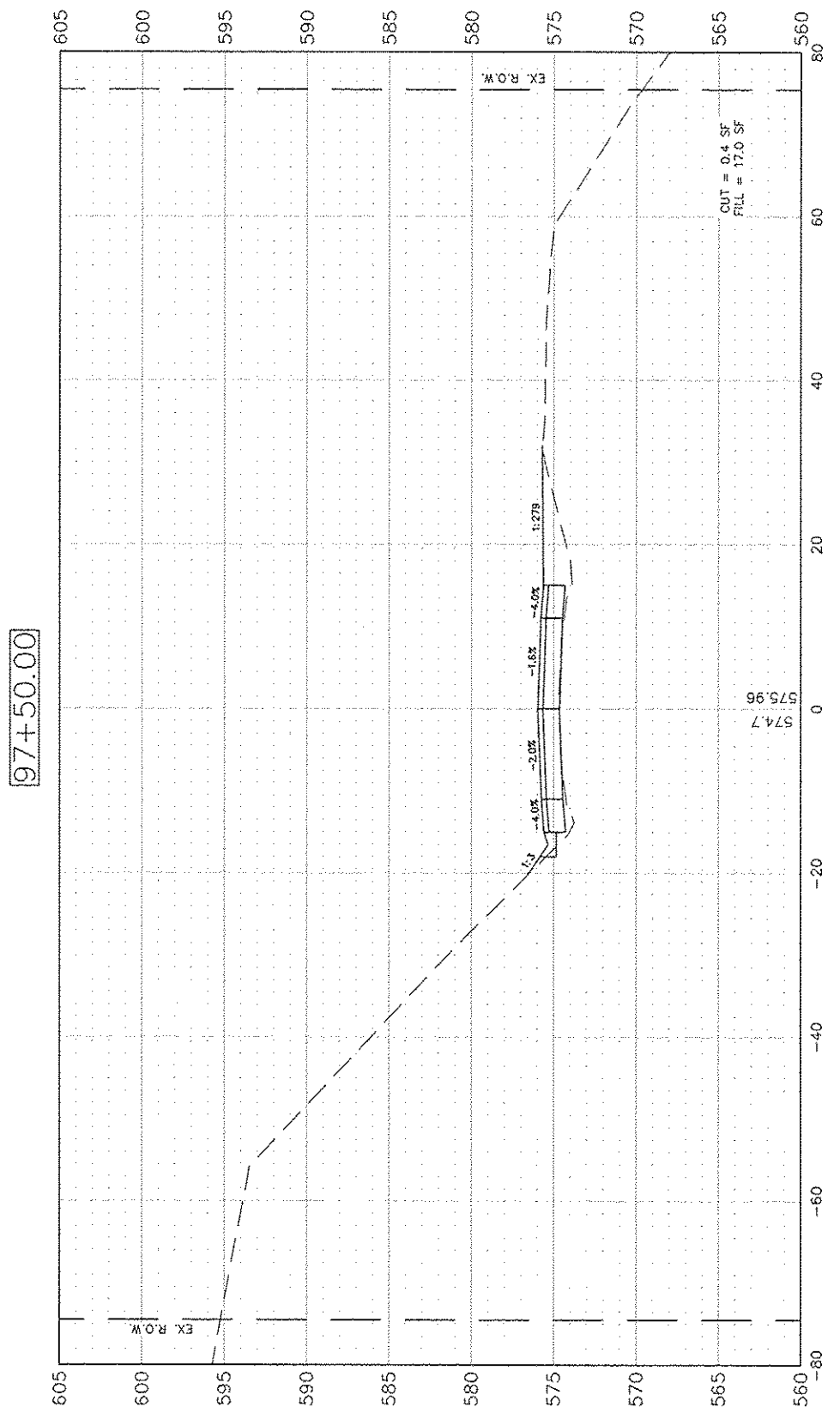
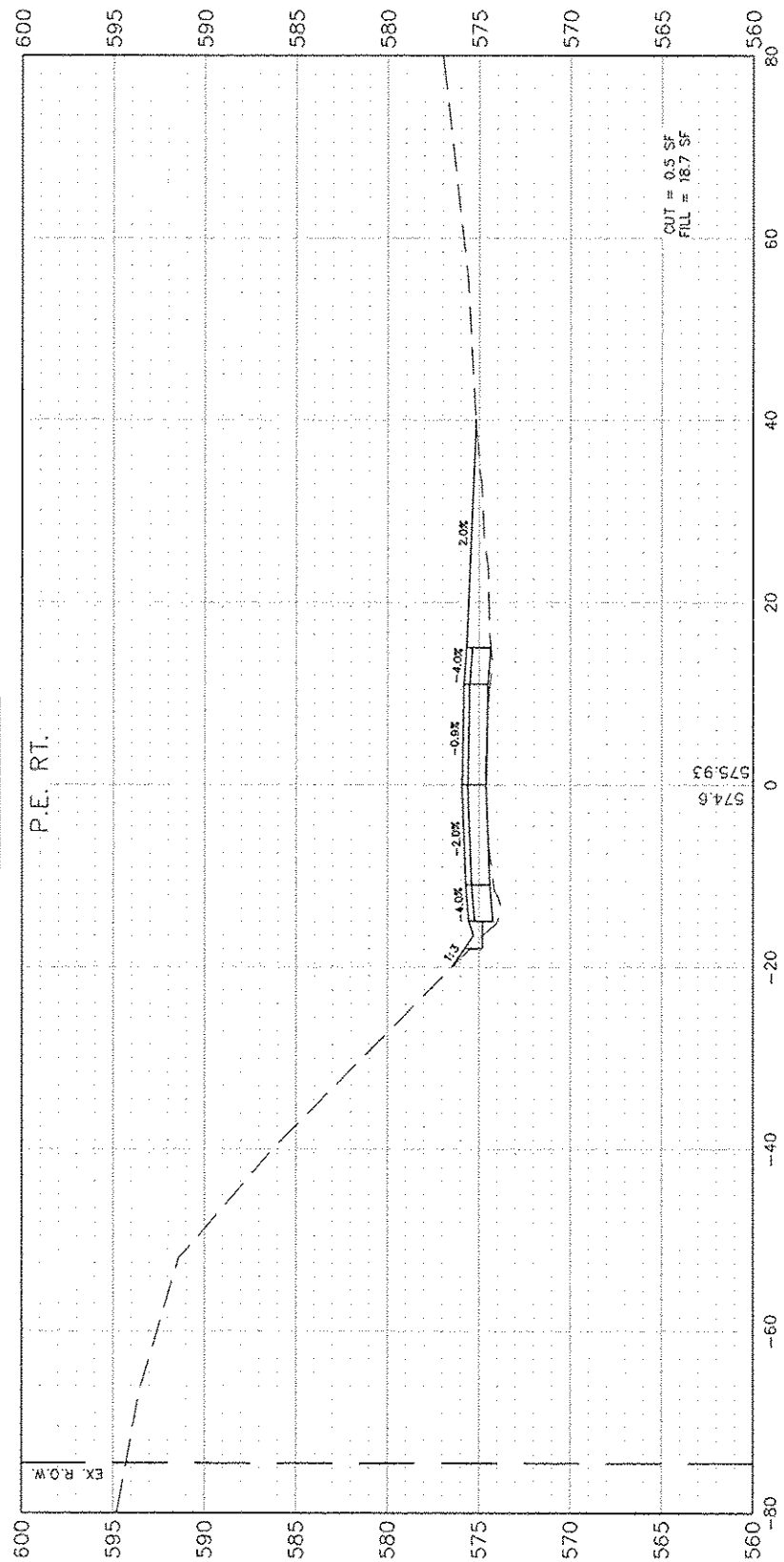
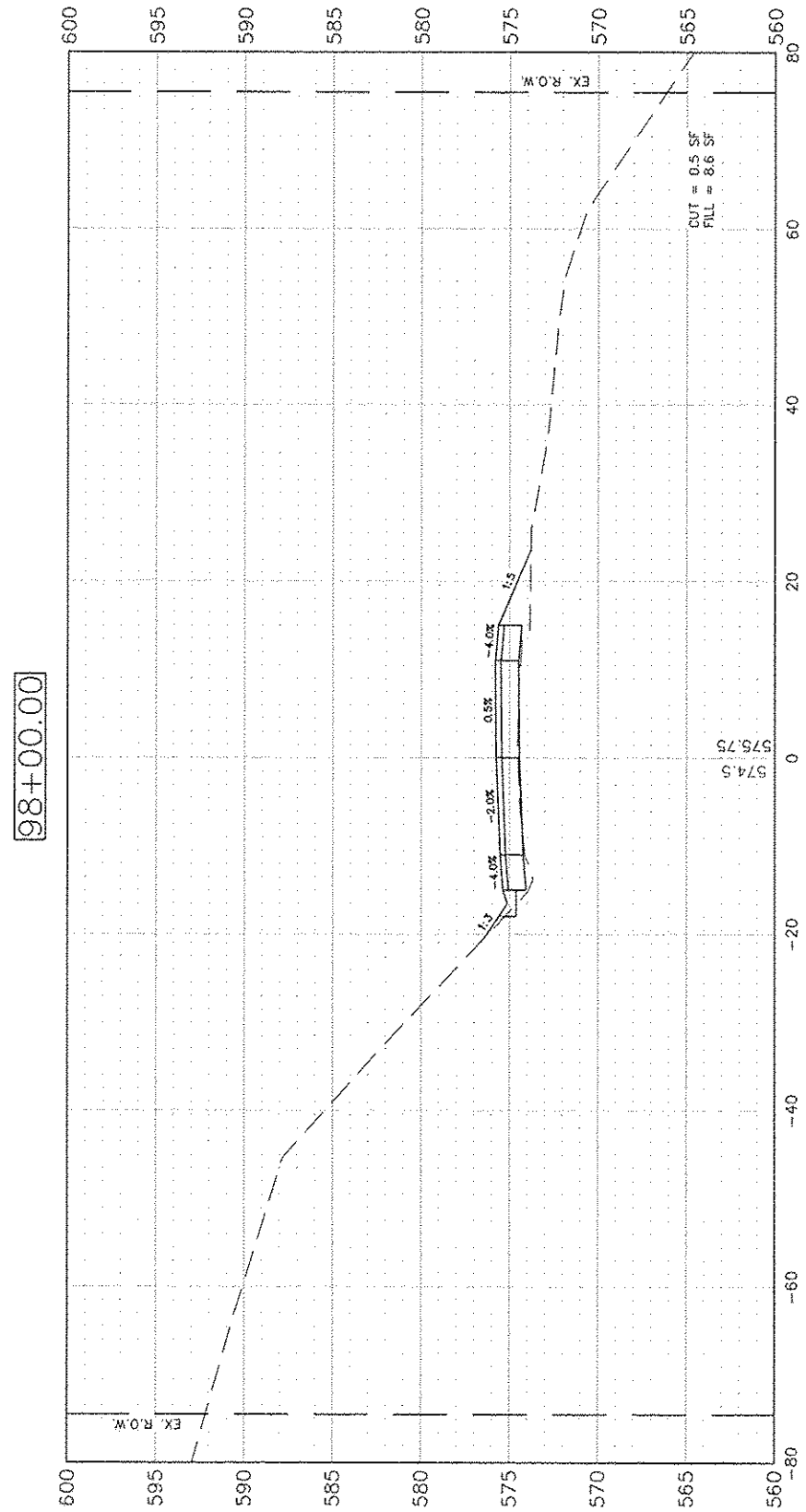
FILE NAME = 164-308	USER NAME = Hargan, Chris	DESIGNED - CAW	REVISED -
		DRAWN - CSH	REVISED -
	PLOT SCALE = 1:2	CHECKED - JAL	REVISED -
	PLOT DATE = 10/21/2014	DATE = 10/21/2014	REVISED -

STATE OF ILLINOIS
DEPARTMENT OF TRANSPORTATION

CROSS SECTION

SCALE: 1:10 SHEET NO. 109 OF 153 SHEETS STA. 96+00 TO STA. 97+00

F.A.S. RTE. 748	SECTION 11-00027-03-RS	COUNTY JERSEY	TOTAL SHEETS 153	SHEET NO. 109
CONTRACT NO.: 97574				



FILE NAME = 164-308	USER NAME = Horgan, Chris	DESIGNED = CAW	REVISED =
		DRAWN = CSH	REVISED =
	PLOT SCALE = 1:2	CHECKED = JAL	REVISED =
	PLOT DATE = 10/21/2014	DATE = 10/21/2014	REVISED =

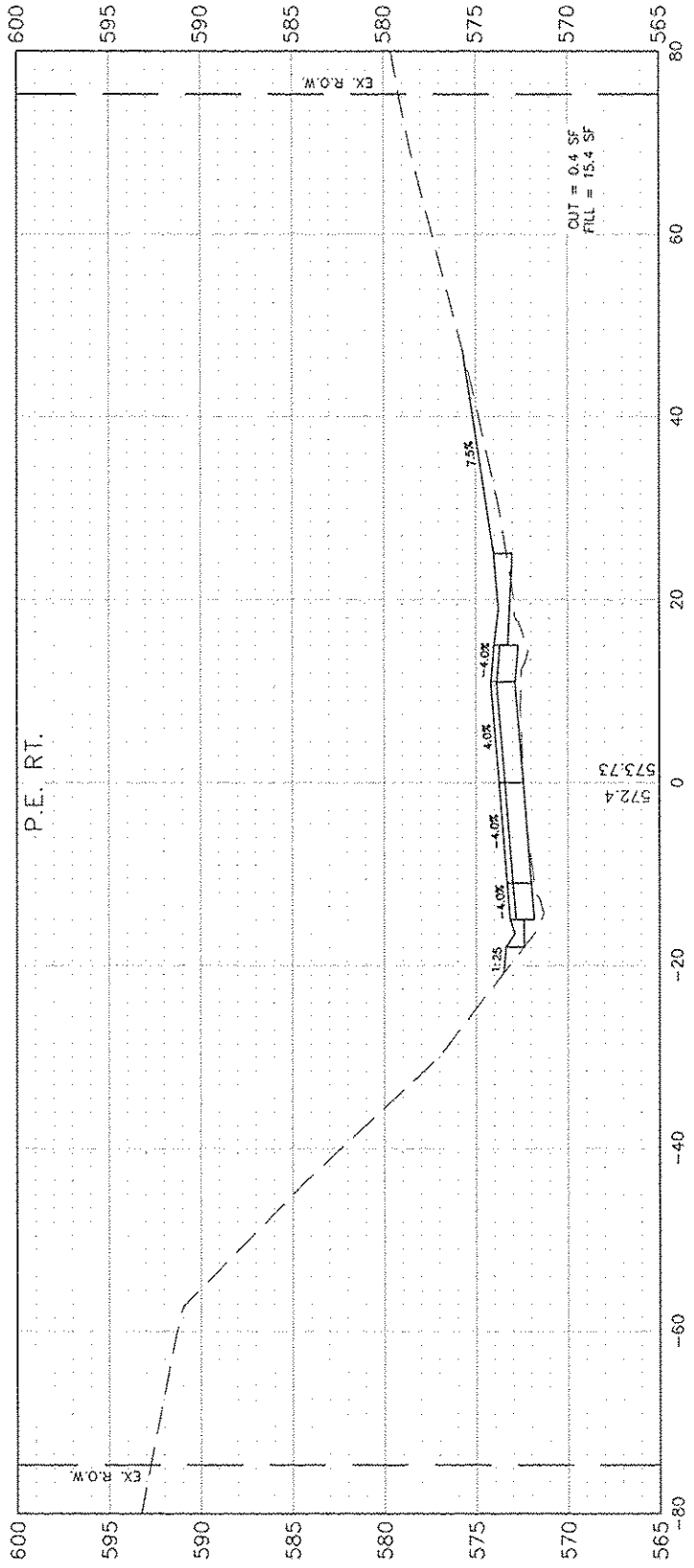
STATE OF ILLINOIS
DEPARTMENT OF TRANSPORTATION

CROSS SECTION

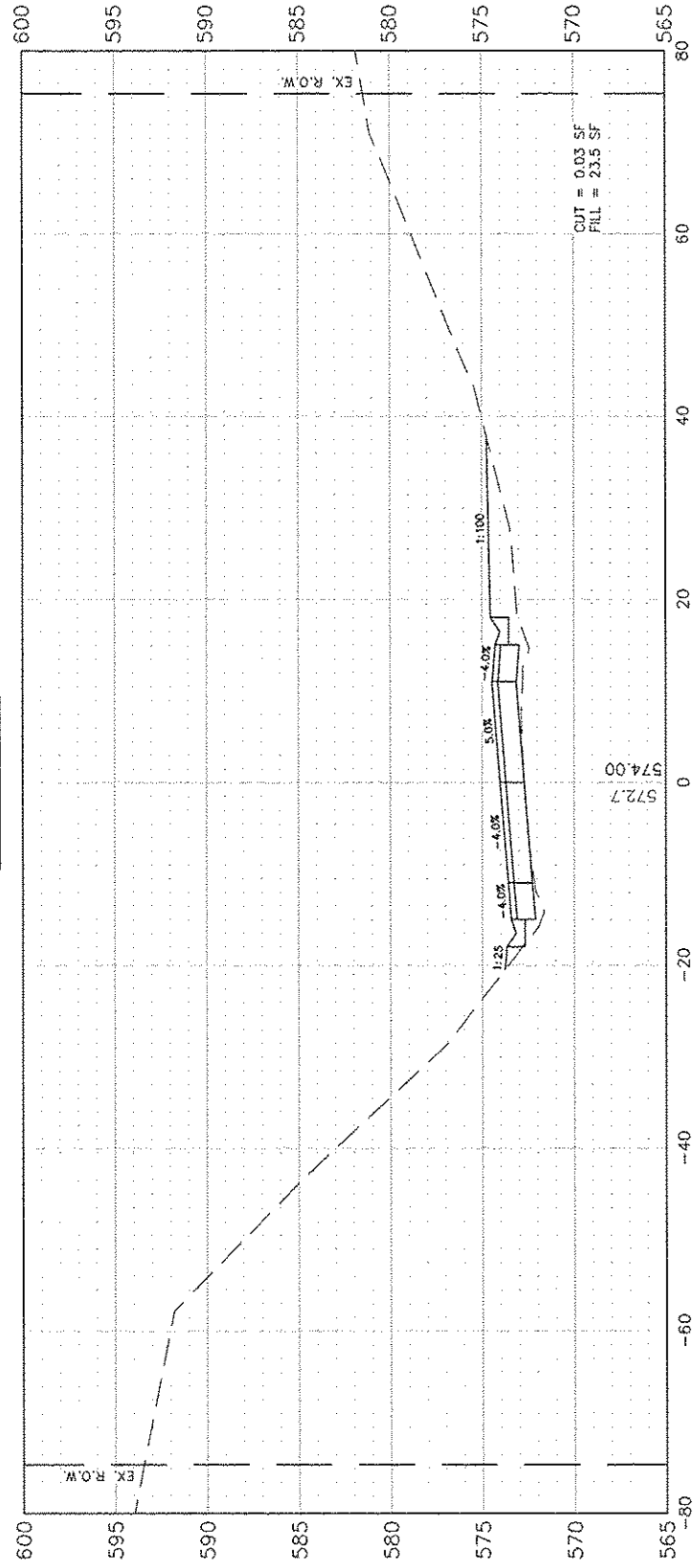
SCALE: 1:10 SHEET NO. 110 OF 153 SHEETS STA. 97+50 TO STA. 98+00

F.A.S. RTE. 74B	SECTION 11-00027-03-RS	COUNTY JERSEY	TOTAL SHEETS 153	SHEET NO. 110
CONTRACT NO.: 97574				

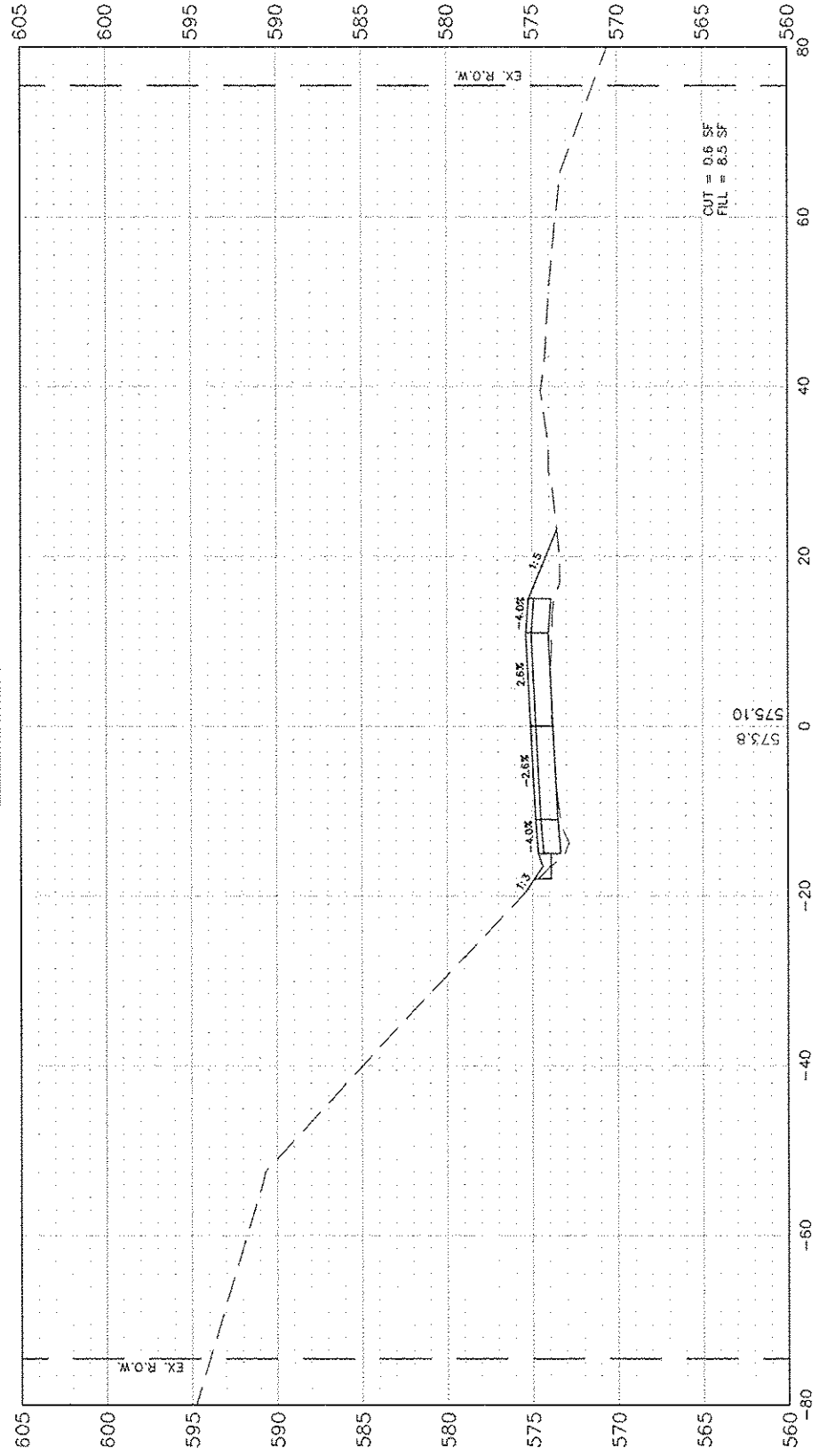
99+10.00



99+00.00



98+50.00



FILE NAME = 164-308

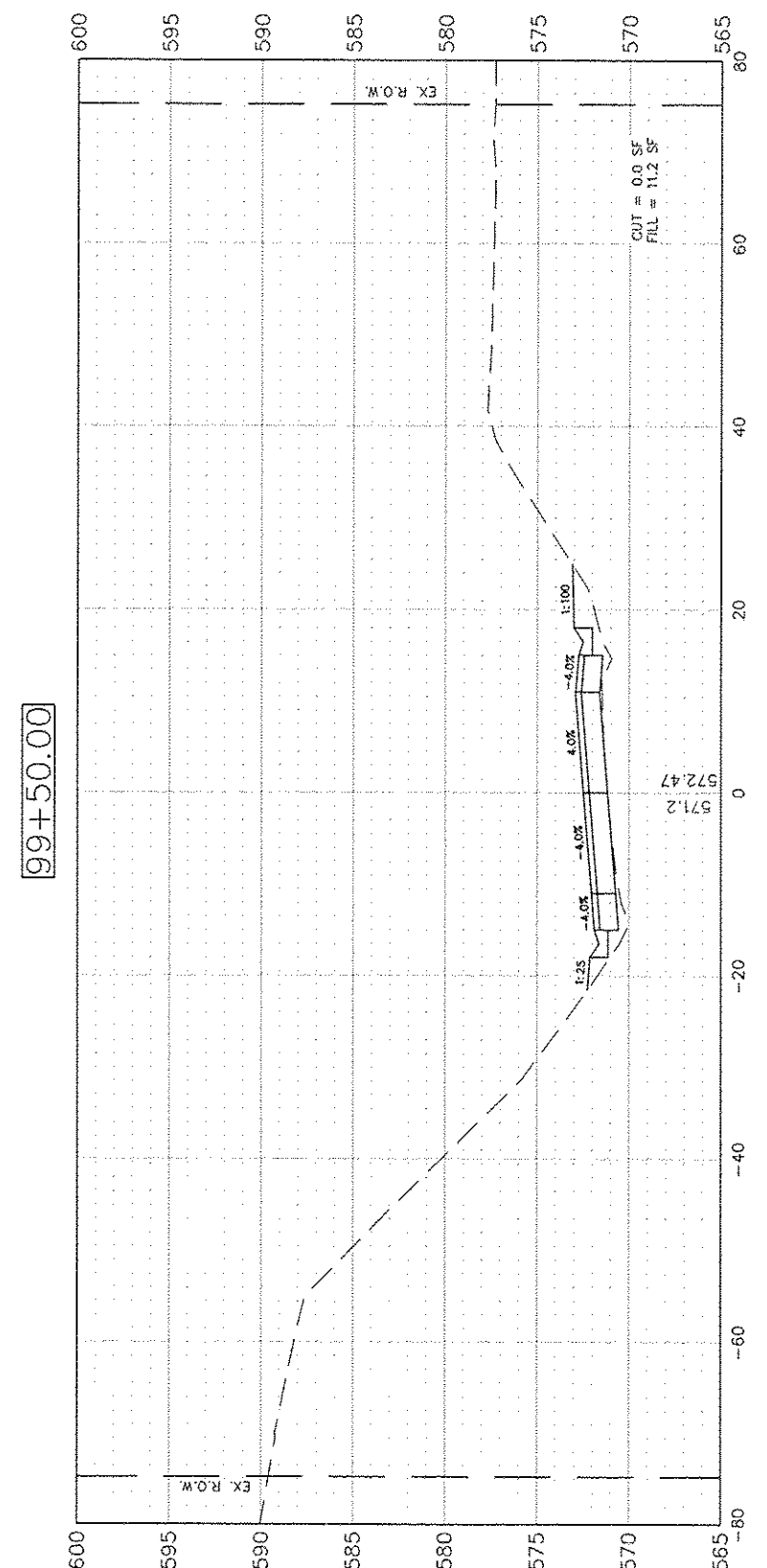
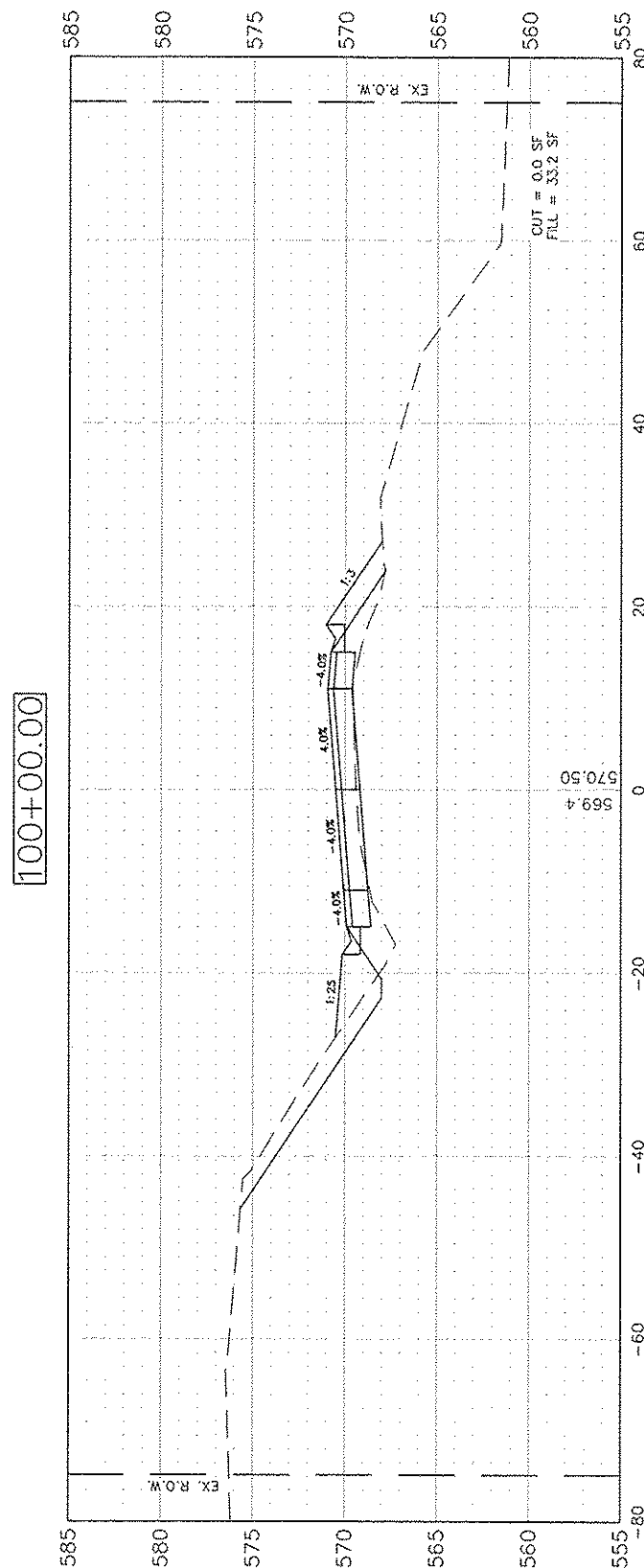
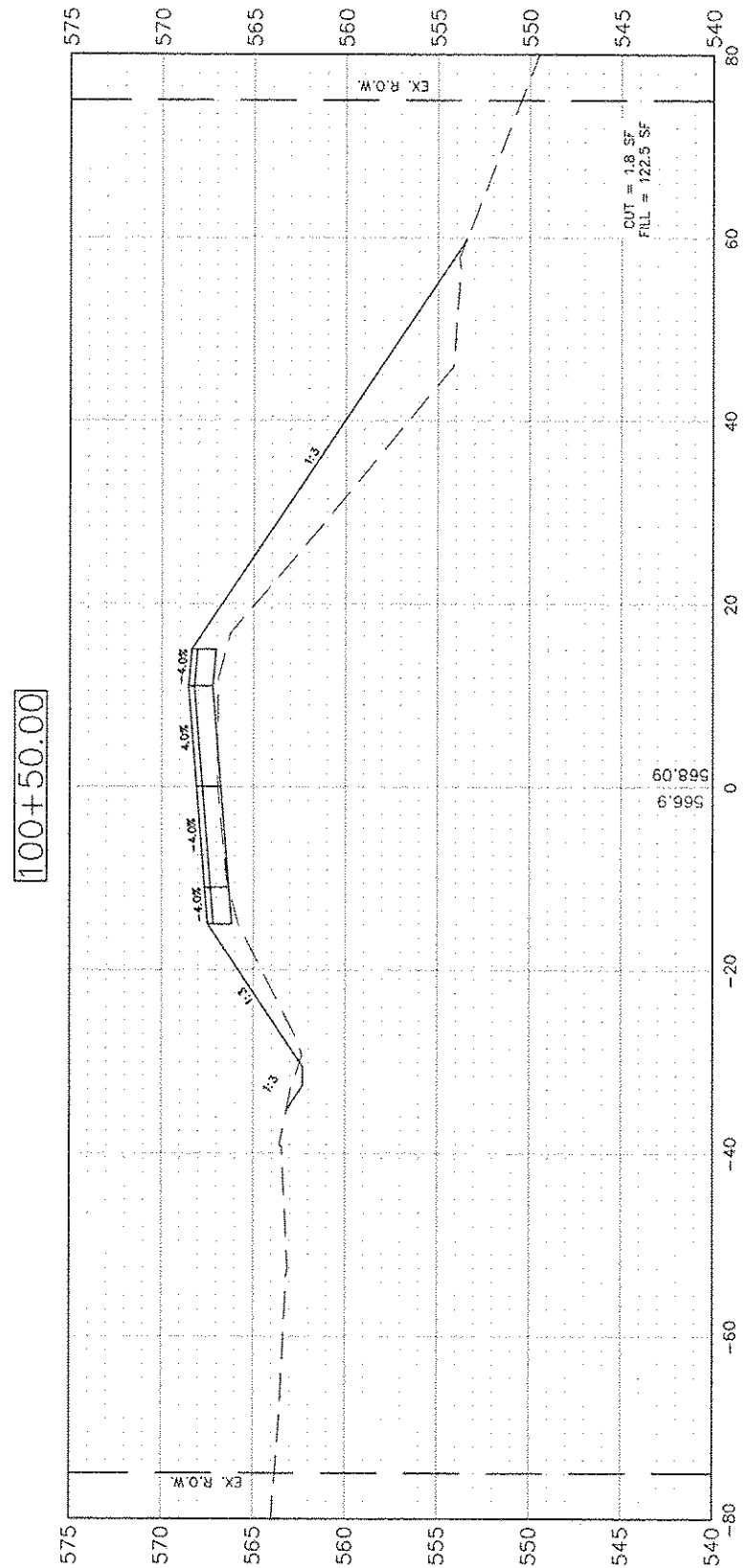
USER NAME = Horgon, Chris	DESIGNED = CAW	REVISED =
	DRAWN = CSH	REVISED =
PLOT SCALE = 1:2	CHECKED = JAL	REVISED =
PLOT DATE = 10/21/2014	DATE = 10/21/2014	REVISED =

STATE OF ILLINOIS
DEPARTMENT OF TRANSPORTATION

CROSS SECTION

SCALE: 1:10 SHEET NO. 111 OF 153 SHEETS STA. 98+50 TO STA. 99+10

F.A.S. RTE. 748	SECTION 11-00027-03-RS	COUNTY JERSEY	TOTAL SHEETS 153	SHEET NO. 111
CONTRACT NO.: 97574				



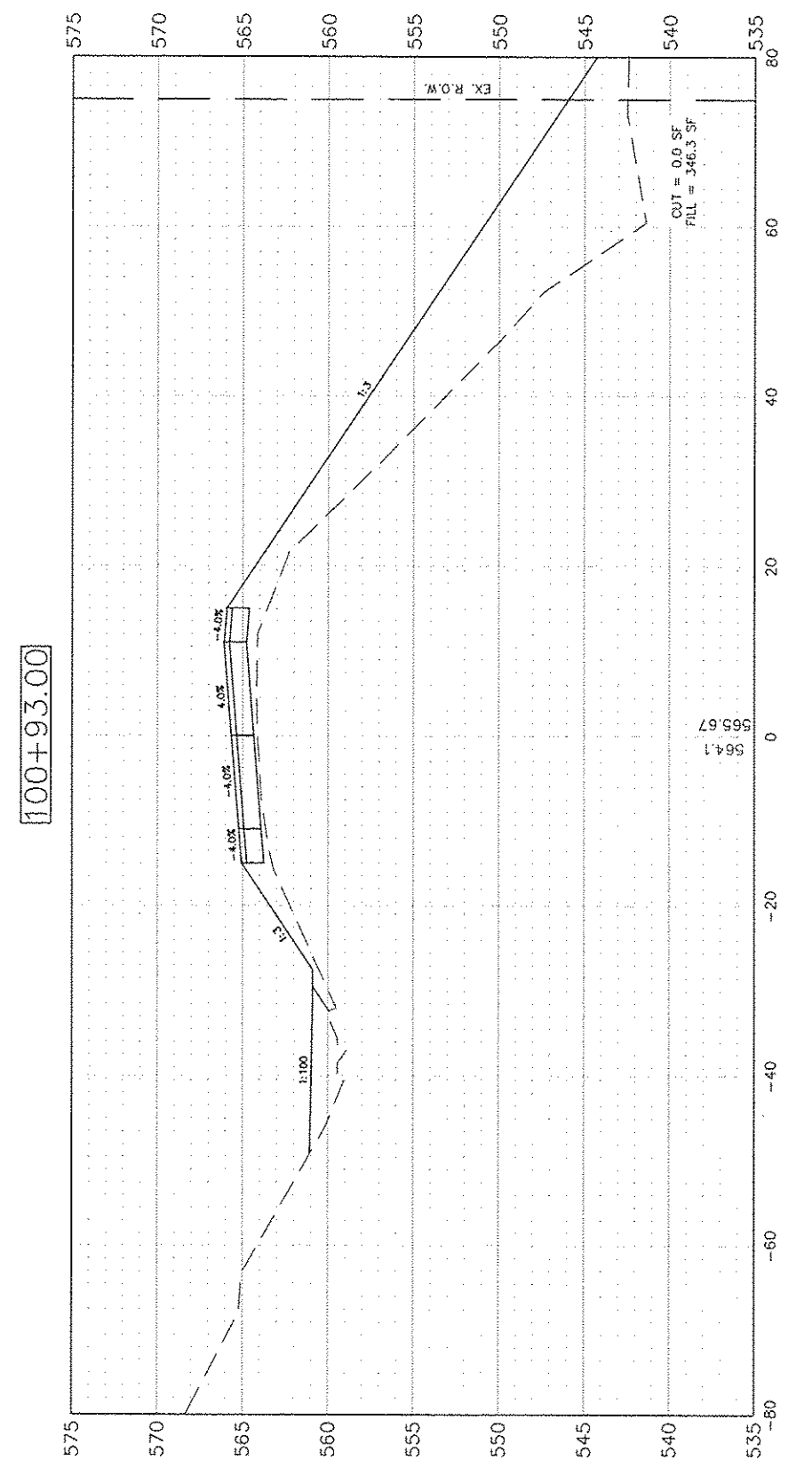
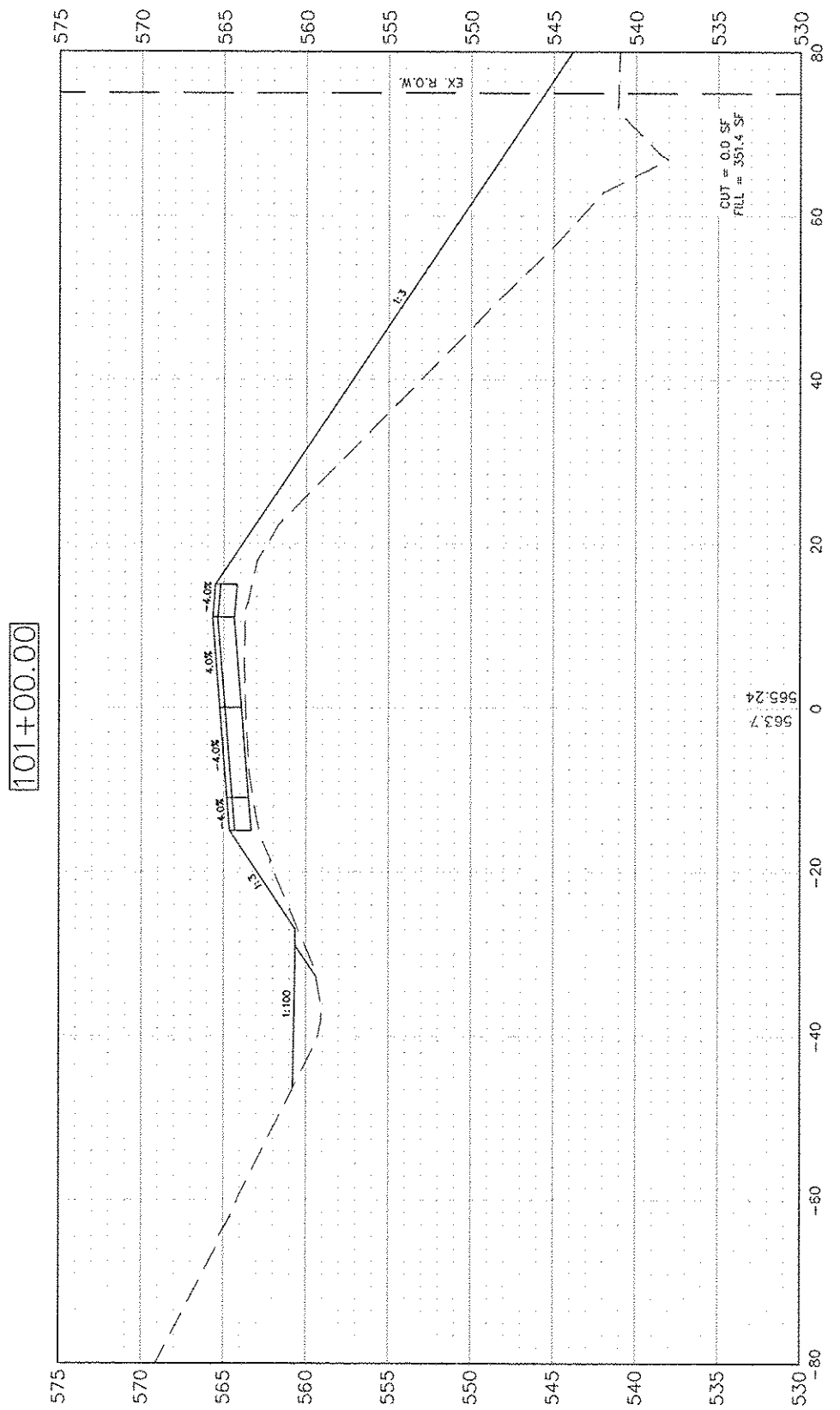
FILE NAME = 164-308	USER NAME = Horgan, Chris	DESIGNED - CAW	REVISED -
		DRAWN - CSH	REVISED -
	PLOT SCALE = 1:2	CHECKED - JAL	REVISED -
	PLOT DATE = 10/21/2014	DATE - 10/21/2014	REVISED -

STATE OF ILLINOIS
DEPARTMENT OF TRANSPORTATION

CROSS SECTION

SCALE: 1:10 SHEET NO. 112 OF 153 SHEETS STA. 99+50 TO STA. 100+50

F.A.S. RTE.	SECTION	COUNTY	TOTAL SHEETS	SHEET NO.
748	11-00027-03-RS	JERSEY	153	112
CONTRACT NO.: 97574			FED. ROAD DIST. NO. 8 ILLINOIS ILEP. AND PROJECT	



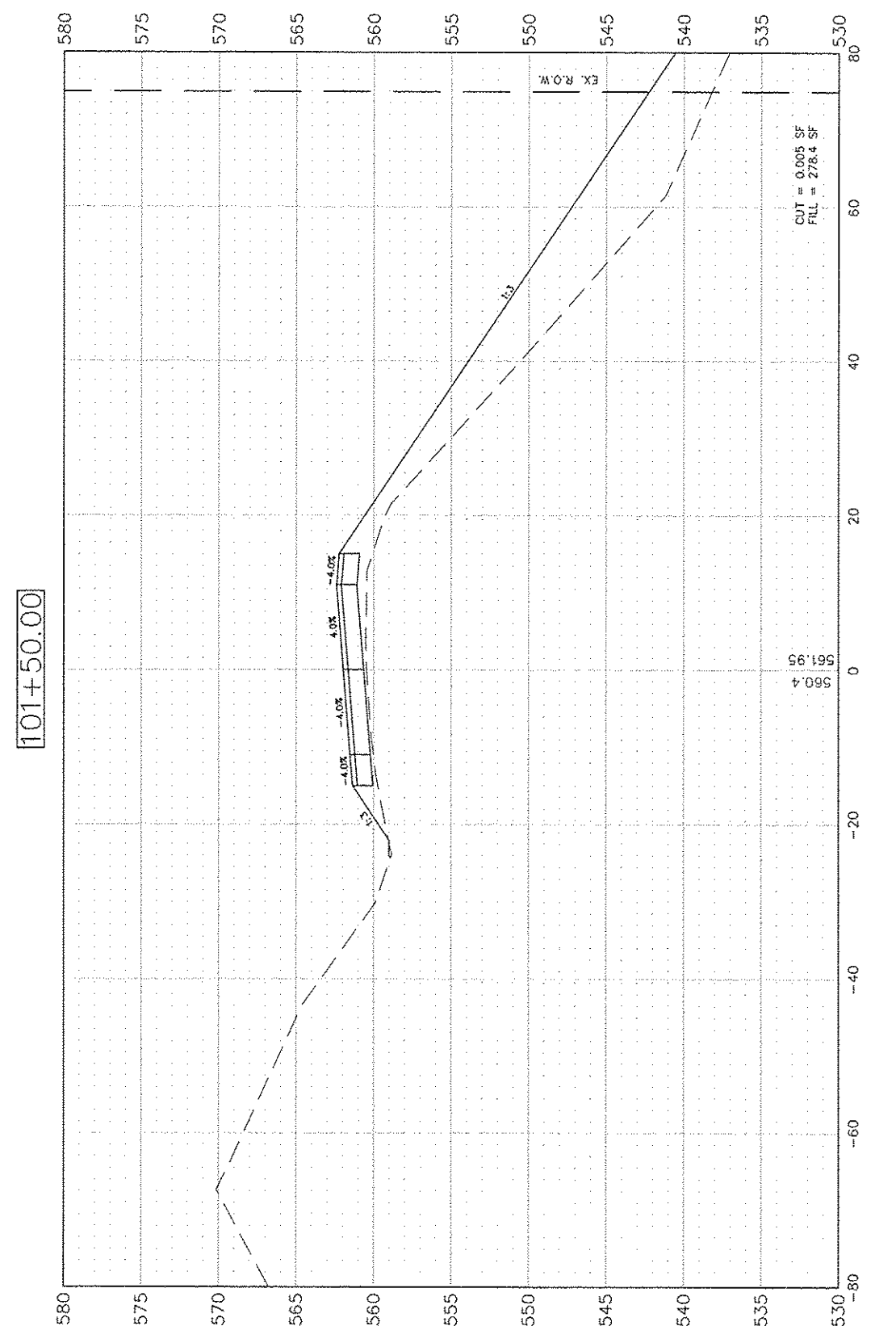
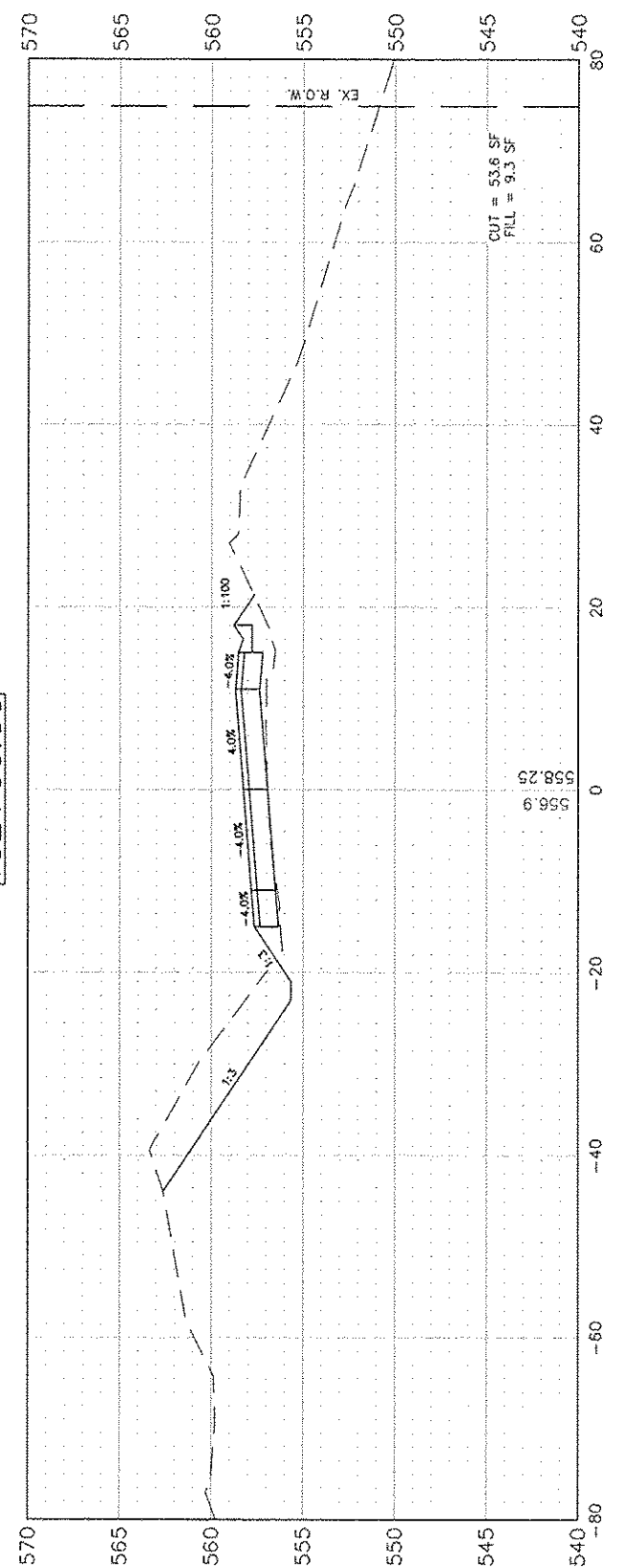
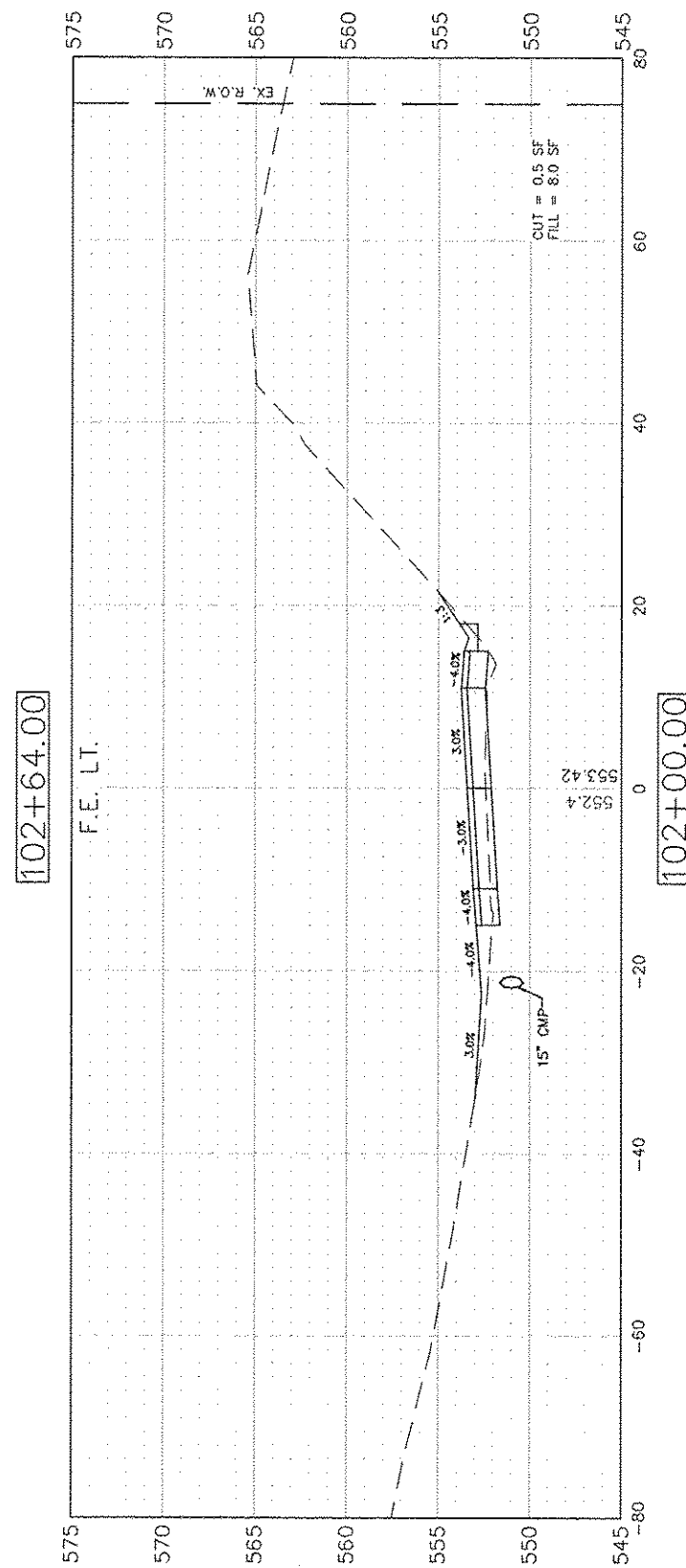
FILE NAME = 164-308	USER NAME = Hargan, Chris	DESIGNED - CAW	REVISED -
		DRAWN - CSH	REVISED -
	PLOT SCALE = 1:2	CHECKED - JAL	REVISED -
	PLOT DATE = 10/21/2014	DATE - 10/21/2014	REVISED -

**STATE OF ILLINOIS
DEPARTMENT OF TRANSPORTATION**

CROSS SECTION

SCALE: 1:10 SHEET NO. 113 OF 153 SHEETS STA. 100+93 TO STA. 101+00

F.A.S. RTE. 748	SECTION 11-00027-03-RS	COUNTY JERSEY	TOTAL SHEETS 153	SHEET NO. 113
CONTRACT NO.: 97574				



FILE NAME = 164-308	USER NAME = Hargon, Chris	DESIGNED = CAW	REVISED =
		DRAWN = CSH	REVISED =
	PLOT SCALE = 1:2	CHECKED = JAL	REVISED =
	PLOT DATE = 10/21/2014	DATE = 10/21/2014	REVISED =

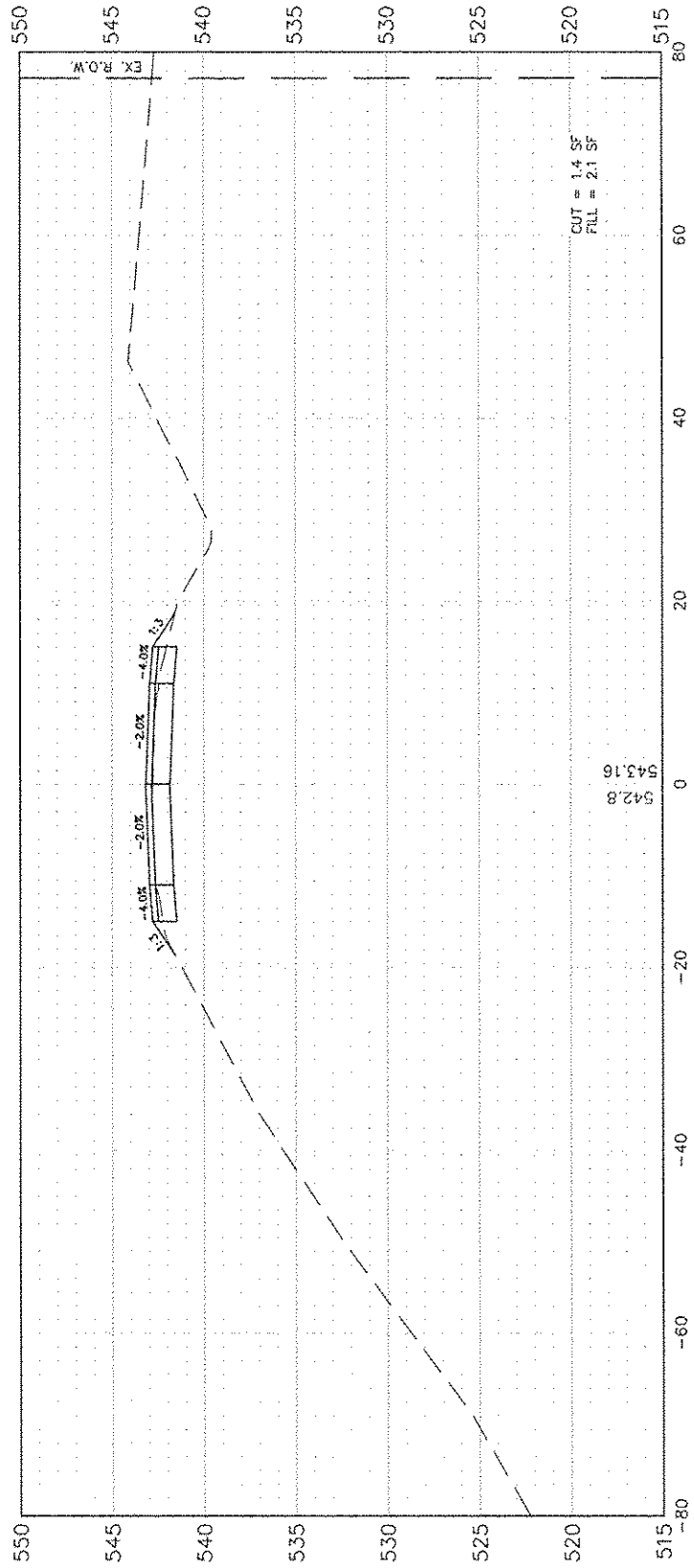
**STATE OF ILLINOIS
DEPARTMENT OF TRANSPORTATION**

CROSS SECTION

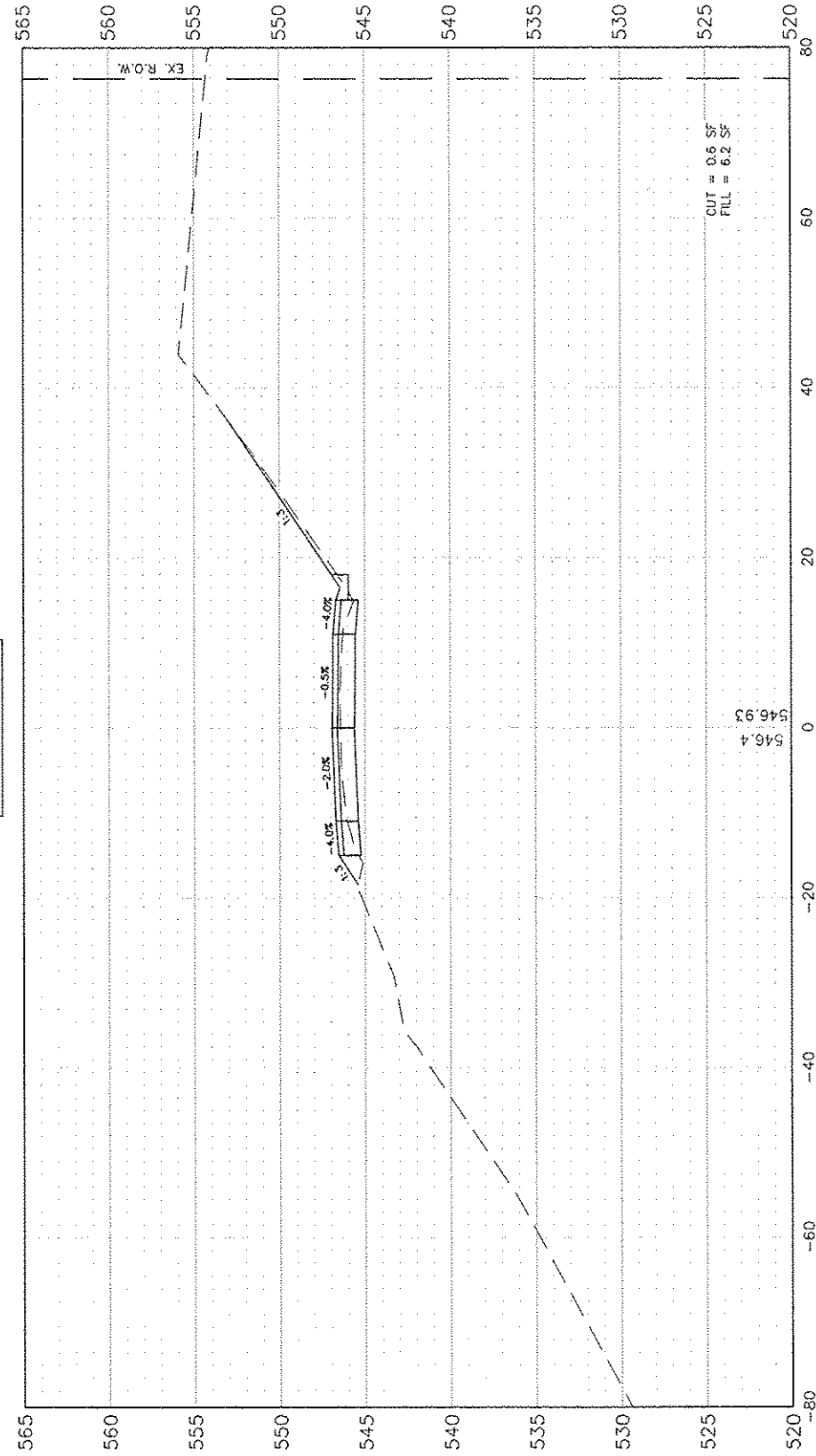
SCALE: 1:10 SHEET NO. 114 OF 153 SHEETS STA. 101+50 TO STA. 102+64

F.A.S. RTE. 748	SECTION 11-00027-03-RS	COUNTY JERSEY	TOTAL SHEETS 153	SHEET NO. 114
CONTRACT NO.: 97574				

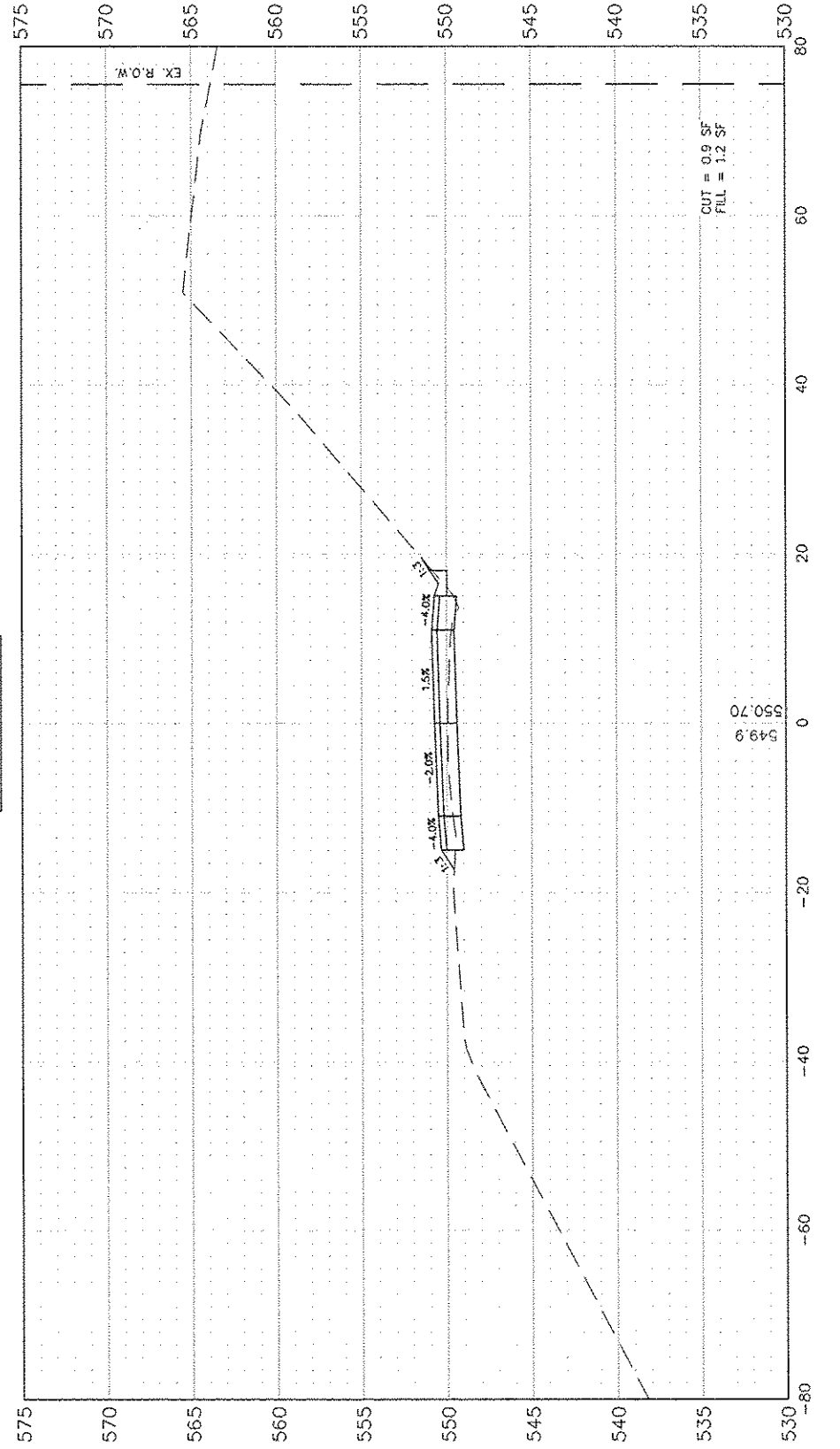
104+00.00



103+50.00



103+00.00



FILE NAME = 164-308

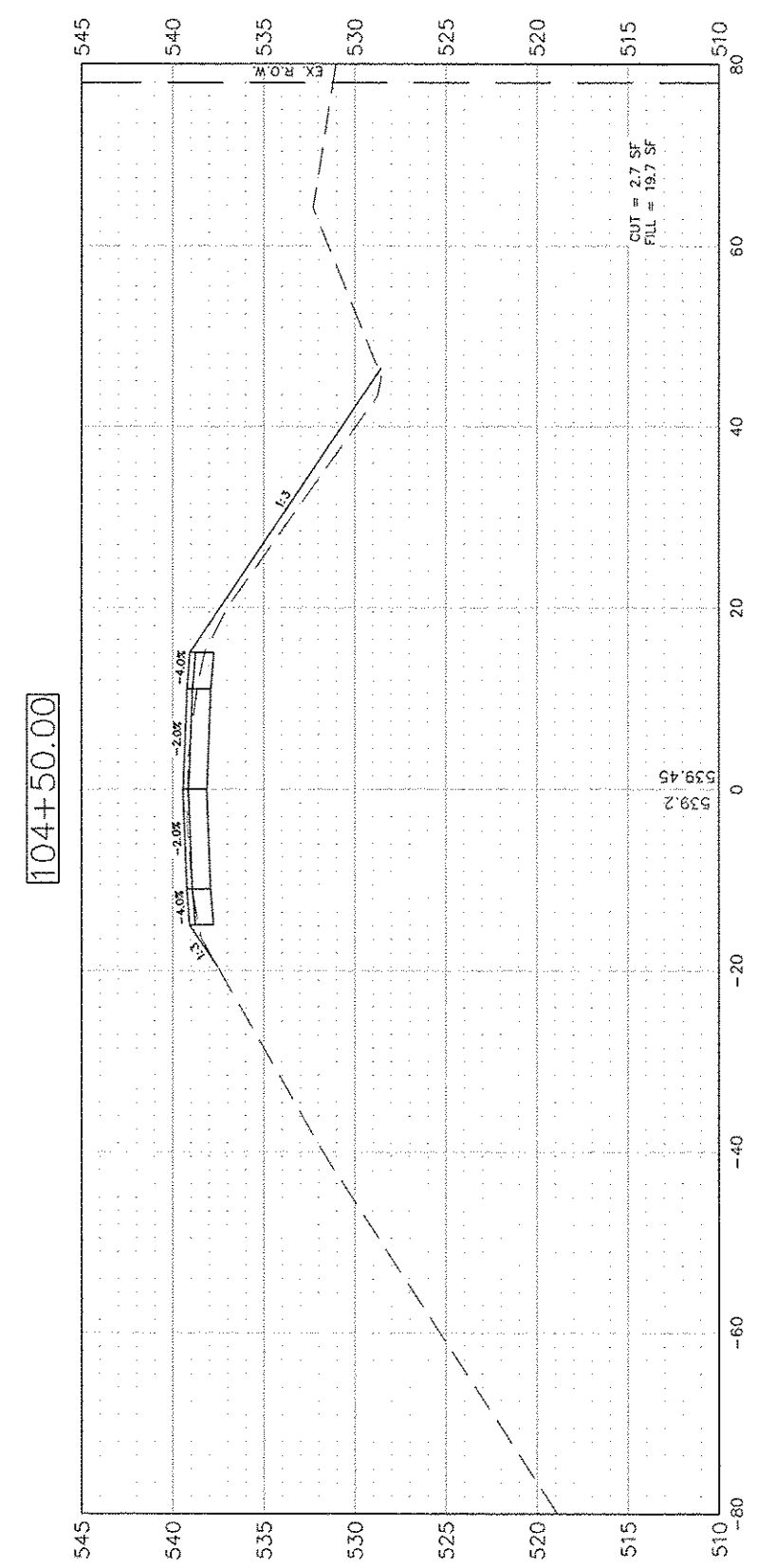
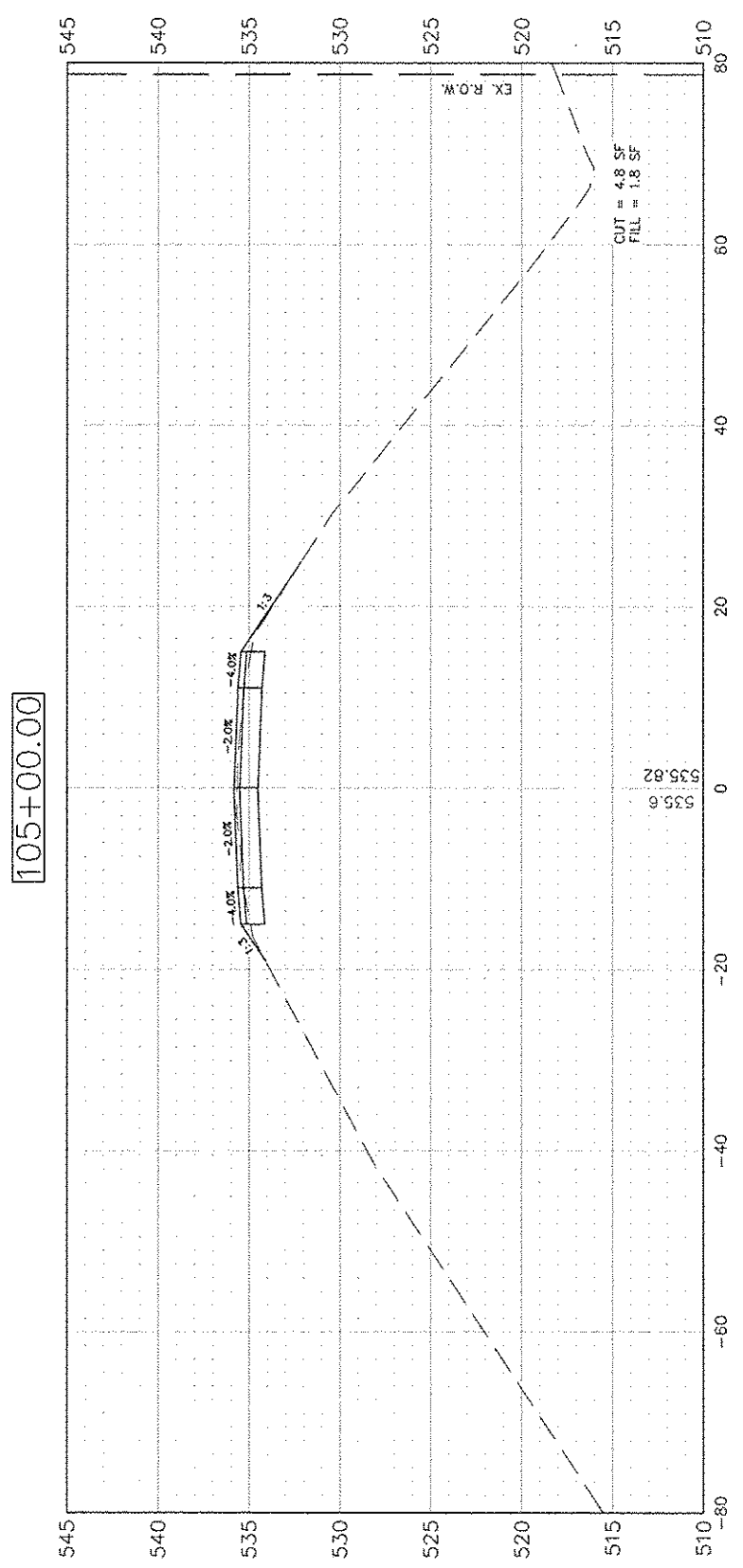
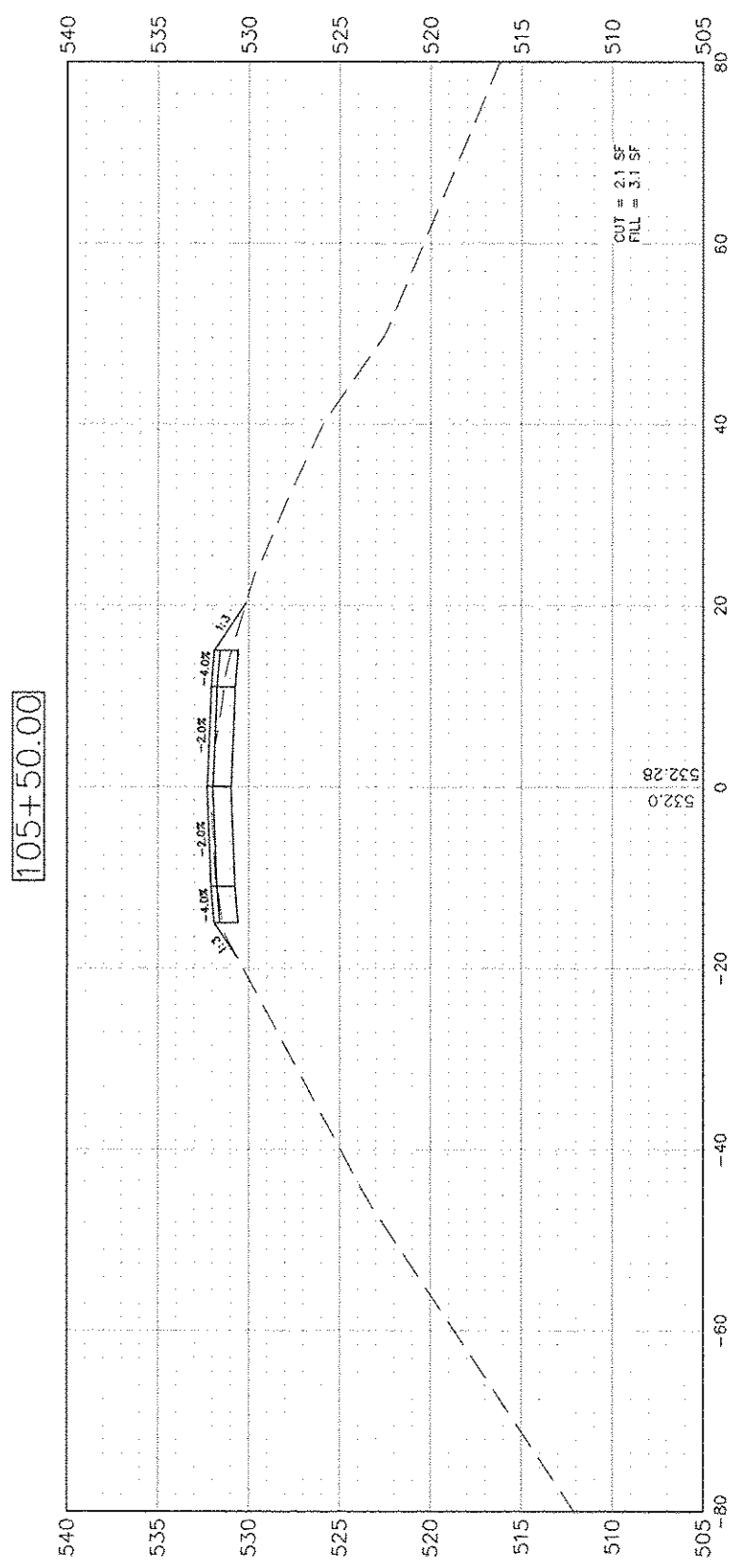
USER NAME = Horgan, Chris	DESIGNED = CAW	REVISED =
	DRAWN = CSH	REVISED =
PLOT SCALE = 1:2	CHECKED = JAL	REVISED =
PLOT DATE = 10/21/2014	DATE = 10/21/2014	REVISED =

STATE OF ILLINOIS
DEPARTMENT OF TRANSPORTATION

CROSS SECTION

SCALE: 1:10 SHEET NO. 115 OF 153 SHEETS STA. 103+00 TO STA. 104+00

F.A.S. RTE. 748	SECTION 11-00027-03-RS	COUNTY JERSEY	TOTAL SHEETS 153	SHEET NO. 115
CONTRACT NO.: 97574				
FED. ROAD DIST. NO. 8 ILLINOIS FED. AID PROJECT				



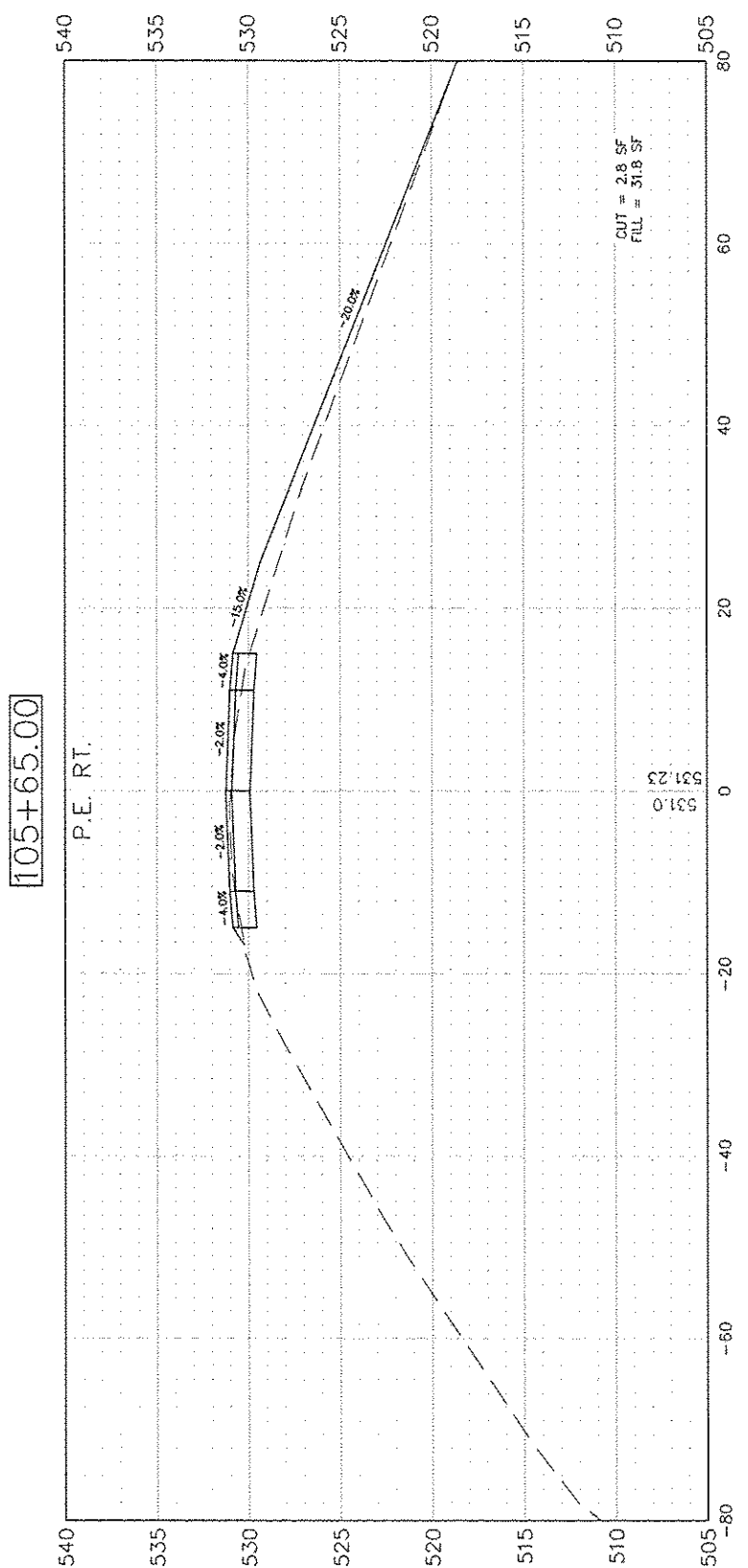
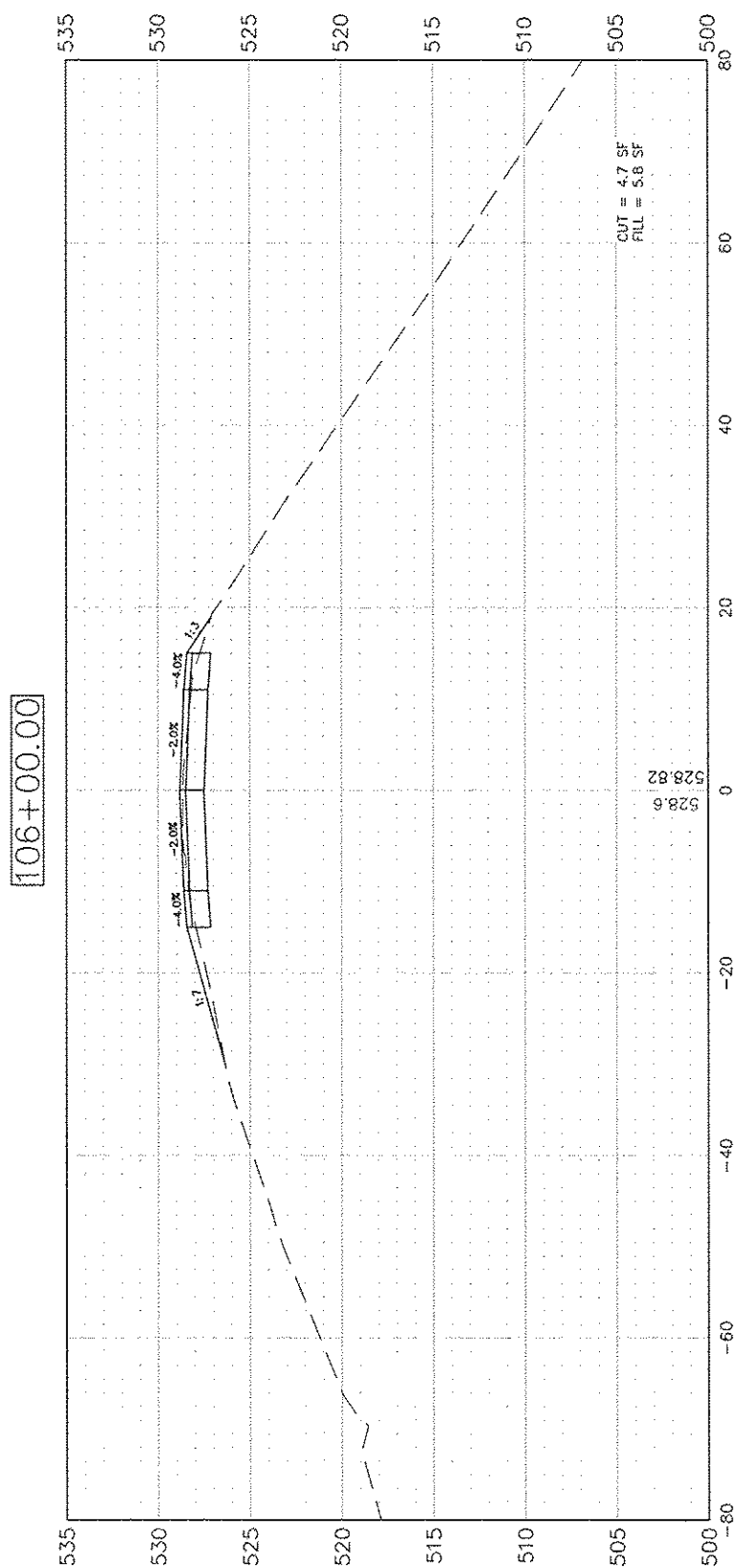
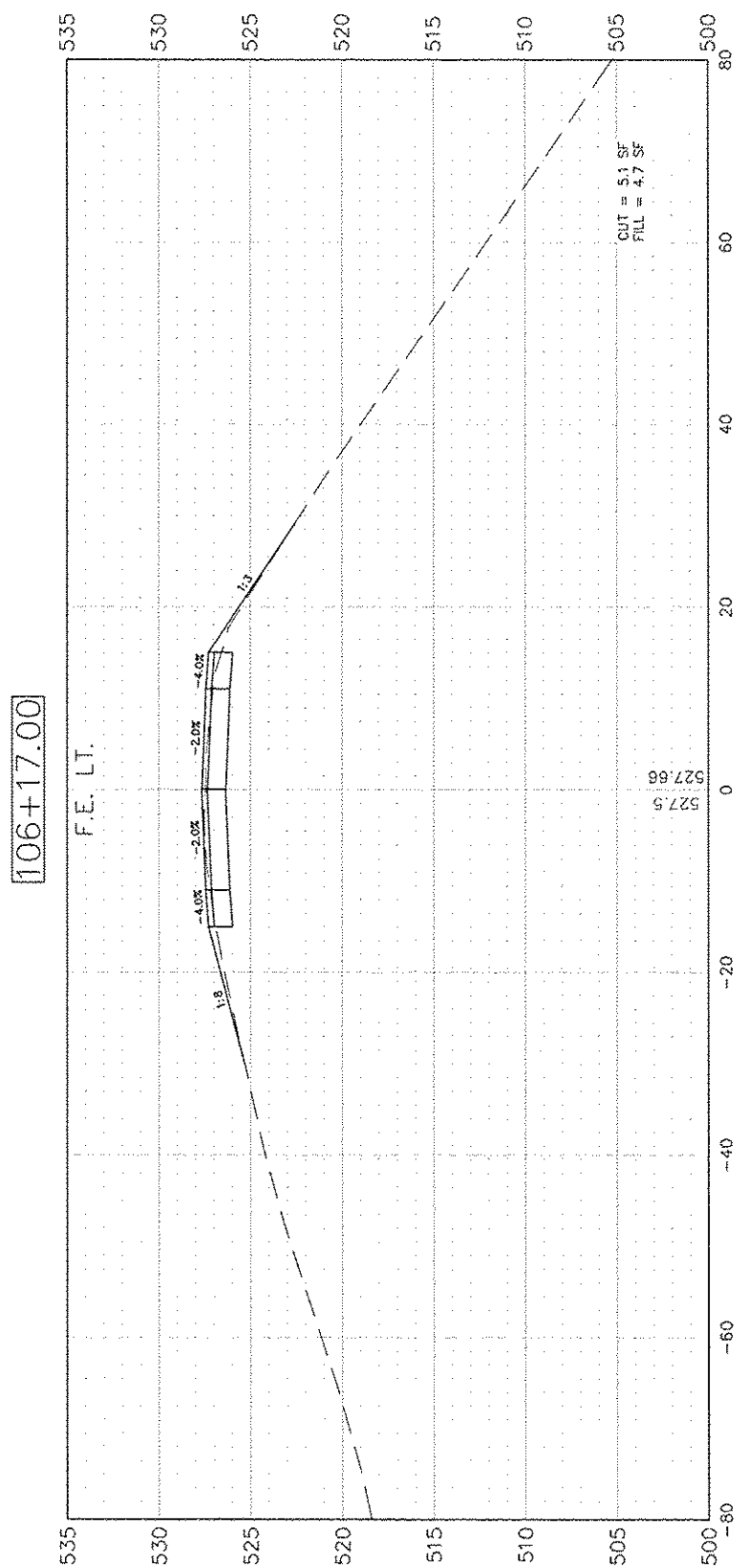
FILE NAME = 164-308	USER NAME = Horgon, Chris	DESIGNED - CAW	REVISED -
		DRAWN - CSH	REVISED -
	PLOT SCALE = 1:2	CHECKED - JAL	REVISED -
	PLOT DATE = 10/21/2014	DATE - 10/21/2014	REVISED -

STATE OF ILLINOIS
DEPARTMENT OF TRANSPORTATION

CROSS SECTION

SCALE: 1:10 SHEET NO. 116 OF 153 SHEETS STA. 104+50 TO STA. 105+50

F.A.S. RTE. 748	SECTION 11-00027-03-RS	COUNTY JERSEY	TOTAL SHEETS 153	SHEET NO. 116
CONTRACT NO.: 97574				



FILE NAME = 164-308	USER NAME = Horgan, Chris	DESIGNED = CAW	REVISED =
		DRAWN = CSH	REVISED =
	PLOT SCALE = 1:2	CHECKED = JAL	REVISED =
	PLOT DATE = 10/21/2014	DATE = 10/21/2014	REVISED =

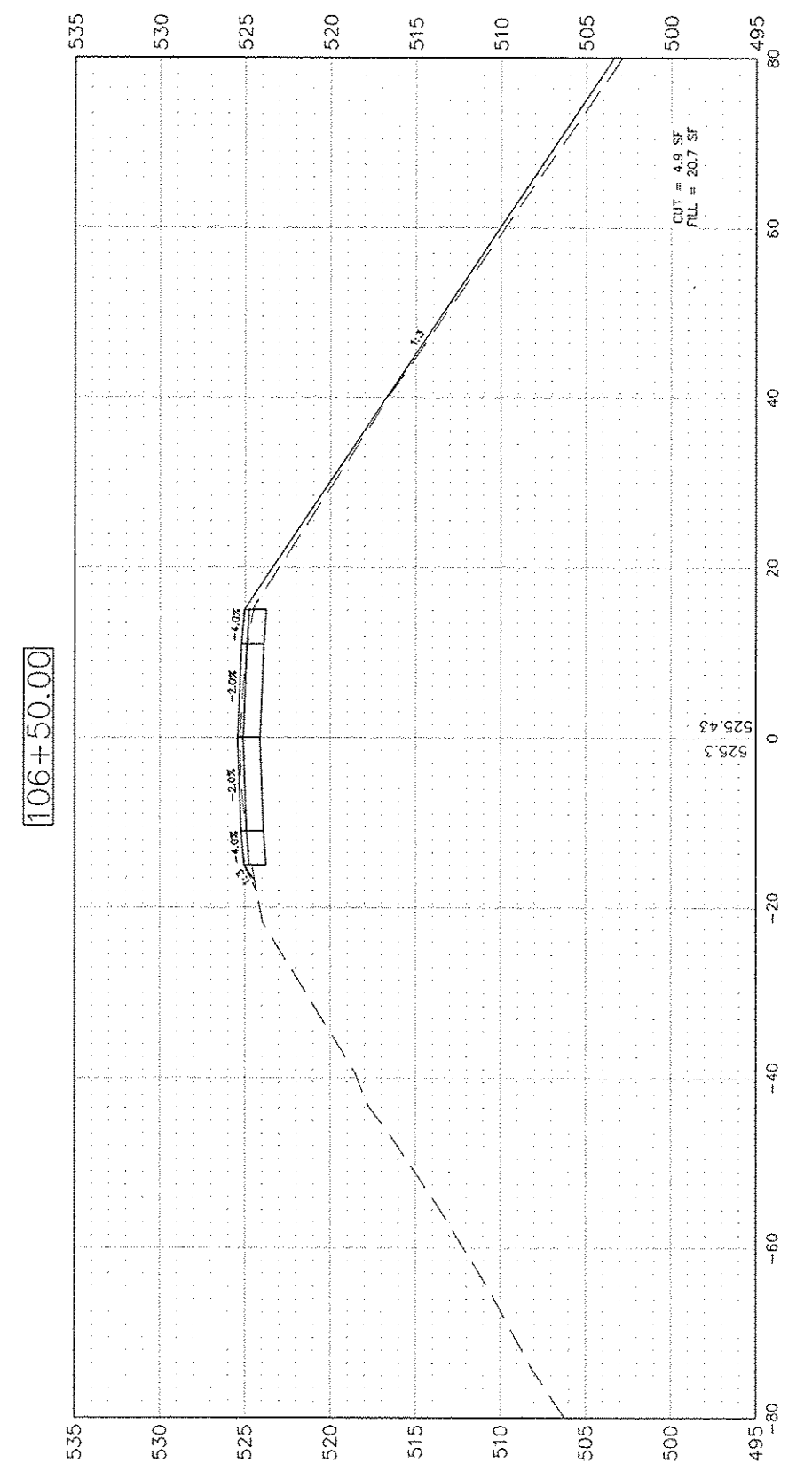
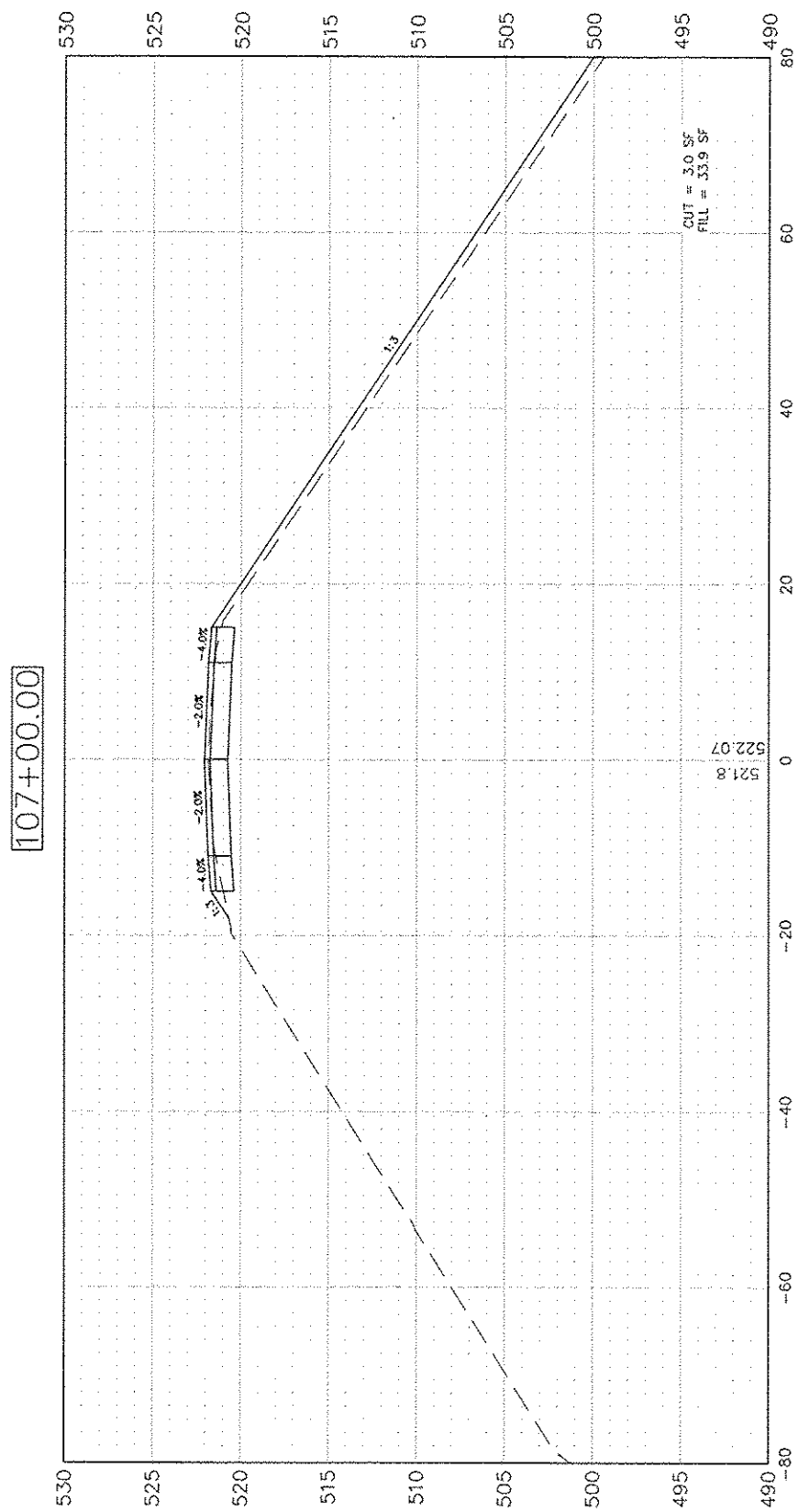
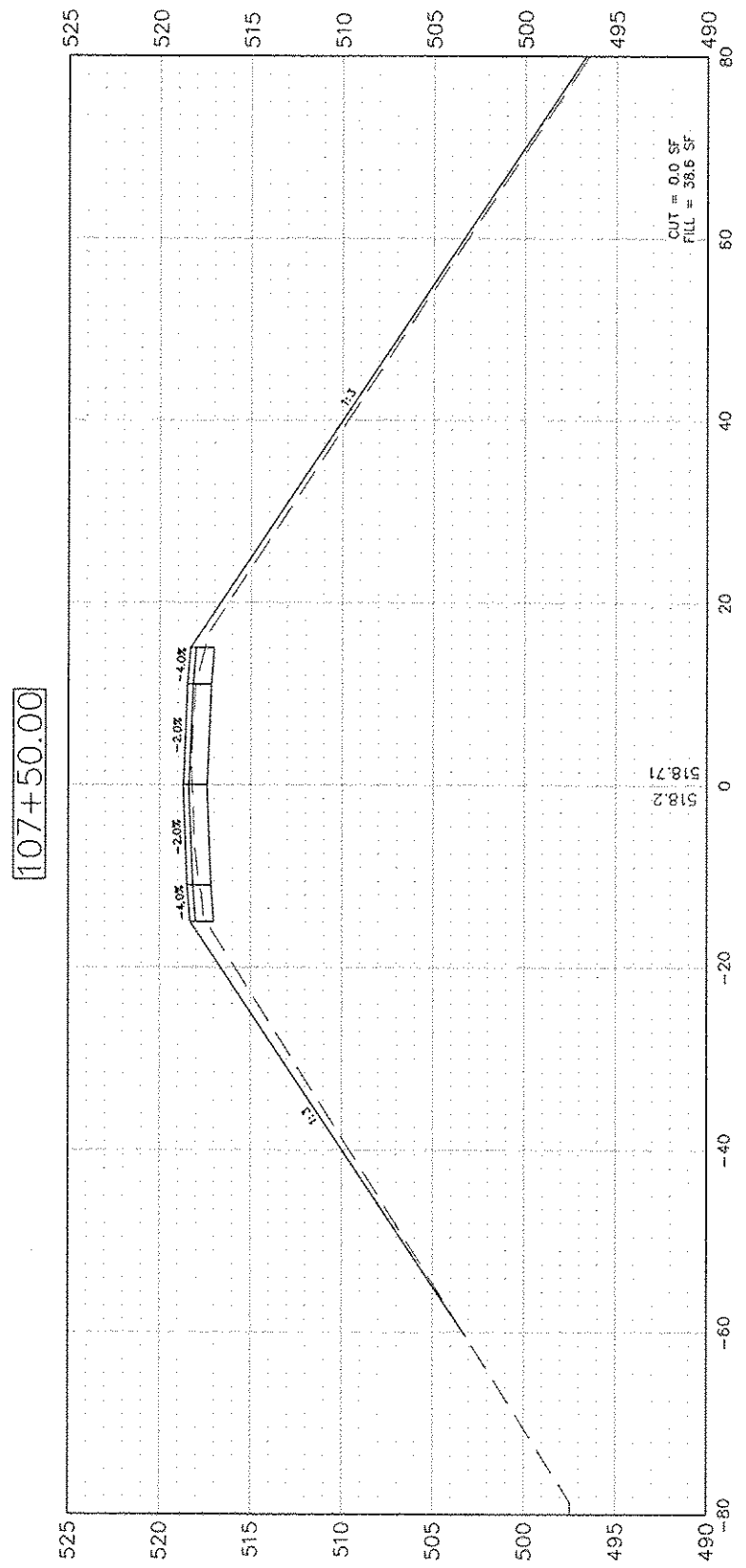
STATE OF ILLINOIS
DEPARTMENT OF TRANSPORTATION

CROSS SECTION

SCALE: 1:10 SHEET NO. 117 OF 153 SHEETS STA. 105+65 TO STA. 106+17

F.A.S. RTE.	SECTION	COUNTY	TOTAL SHEETS	SHEET NO.
748	11-00027-03-RS	JERSEY	153	117
CONTRACT NO.: 97574				

FIG. 8045 DIST. NO. 8 ILLINOIS TYP. AND PROJECT



FILE NAME =
164-308

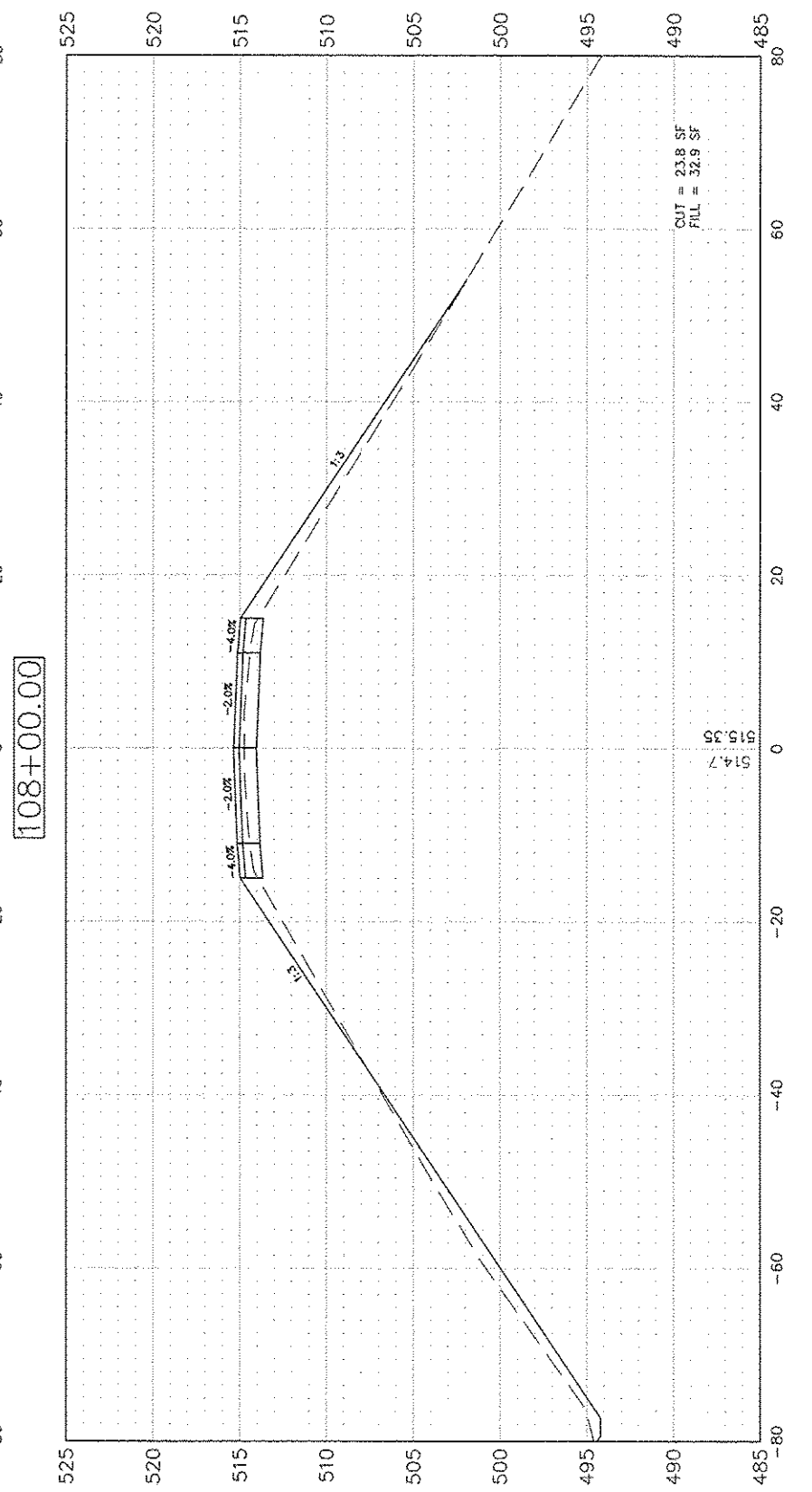
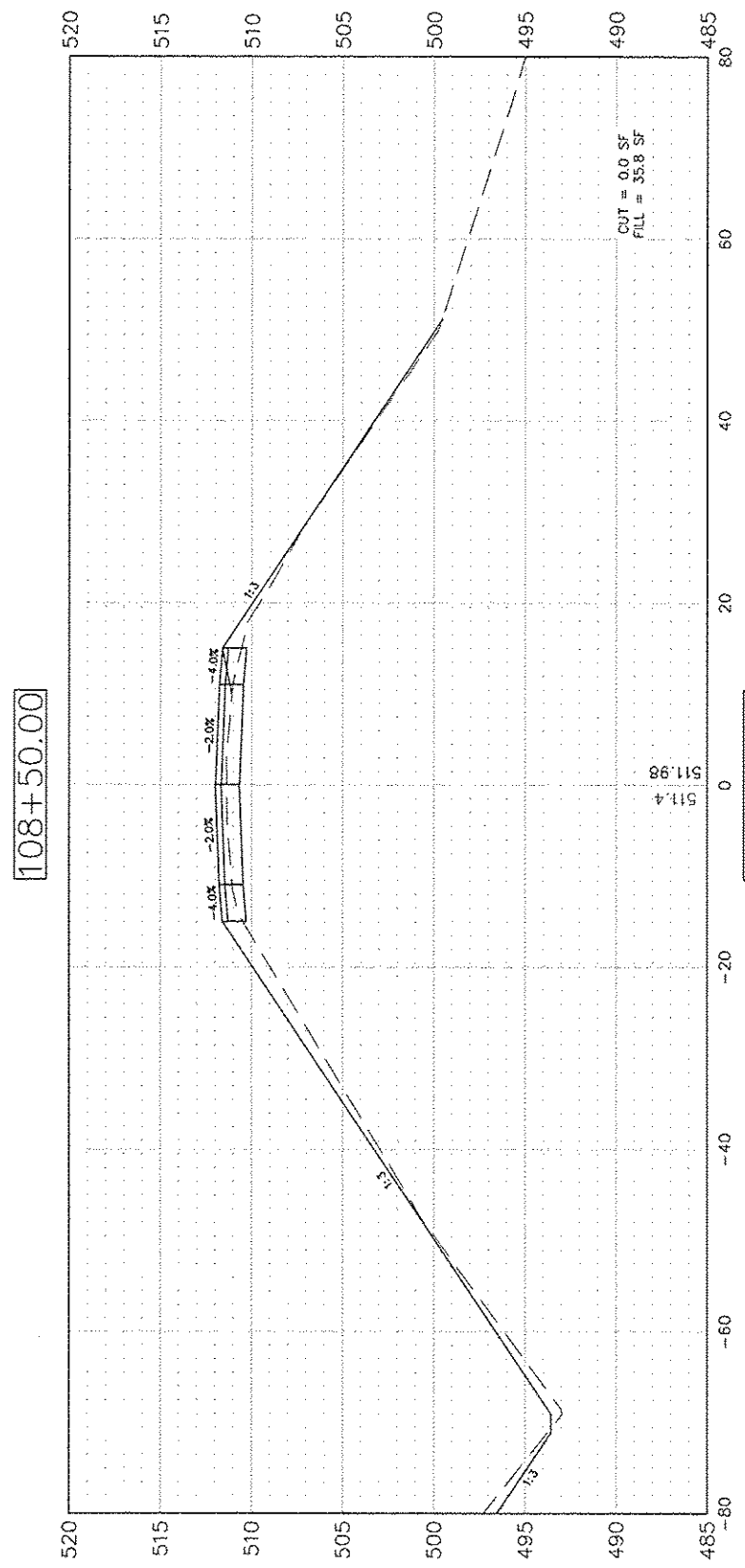
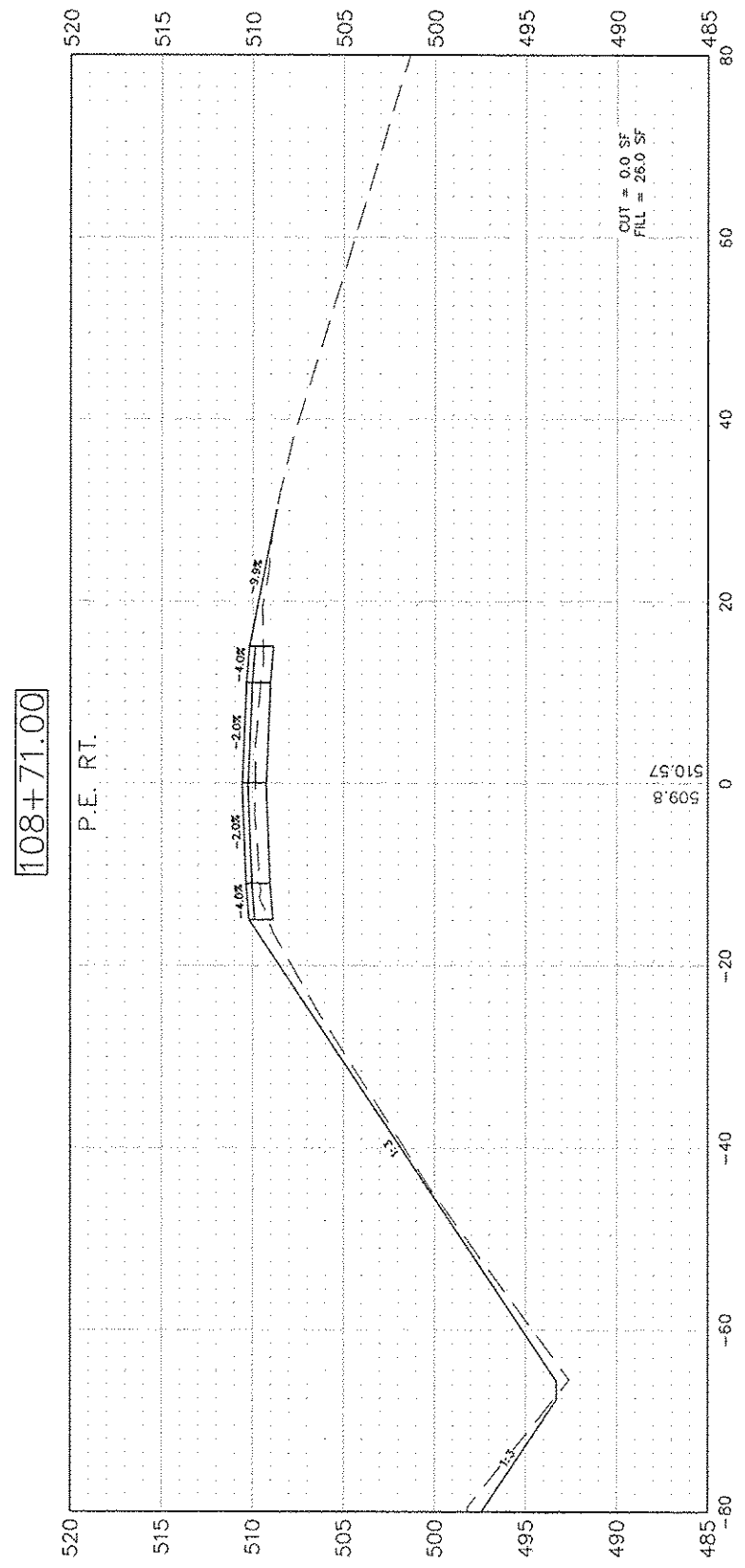
USER NAME = Hargon, Chris	DESIGNED - CAW	REVISED -
	DRAWN - CSH	REVISED -
PLOT SCALE = 1:2	CHECKED - JAL	REVISED -
PLOT DATE = 10/21/2014	DATE - 10/21/2014	REVISED -

STATE OF ILLINOIS
DEPARTMENT OF TRANSPORTATION

CROSS SECTION

SCALE: 1:10 SHEET NO. 118 OF 153 SHEETS STA. 106+50 TO STA. 107+50

F.A.S. RTE.	SECTION	COUNTY	TOTAL SHEETS	SHEET NO.
748	11-00027-03-RS	JERSEY	153	118
CONTRACT NO.: 97574			FED. ROAD DIST. NO. 5 ILLINOIS TRIP AND PROJECT	



FILE NAME = 164--J08

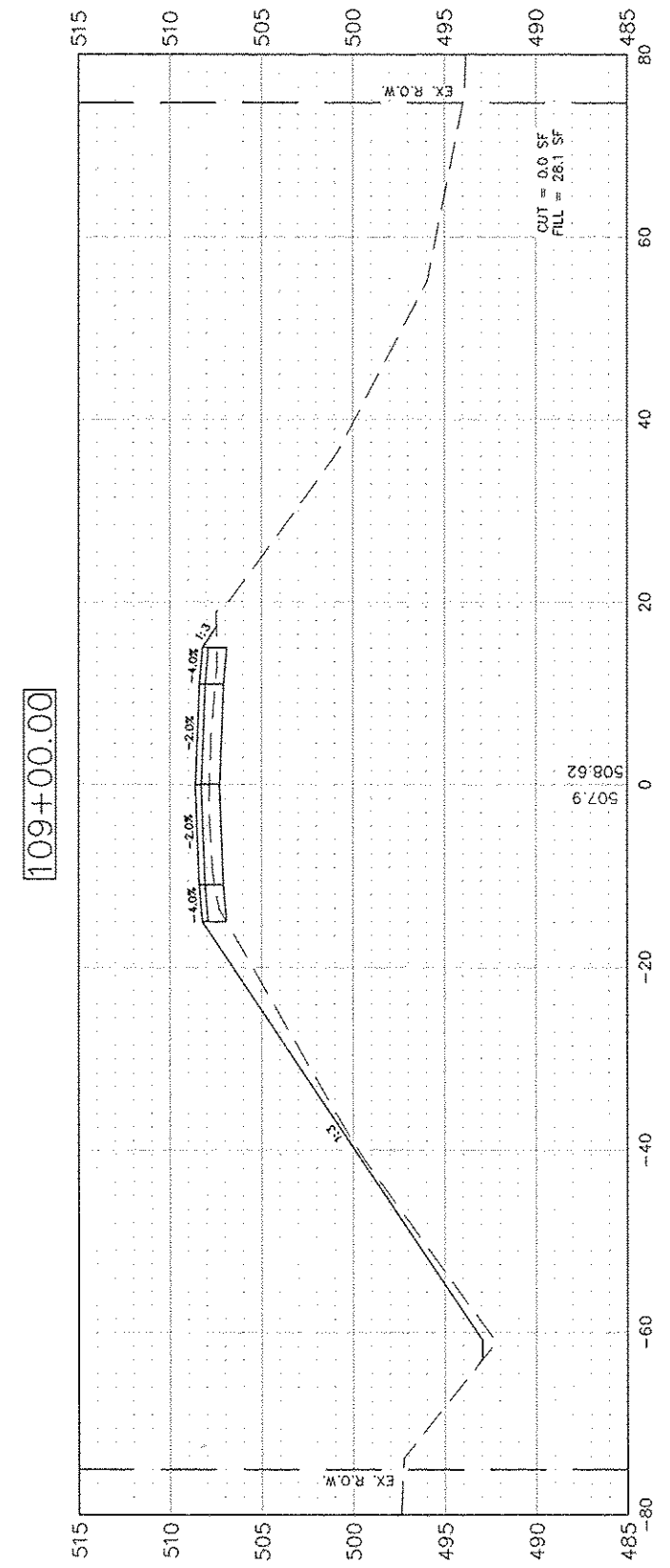
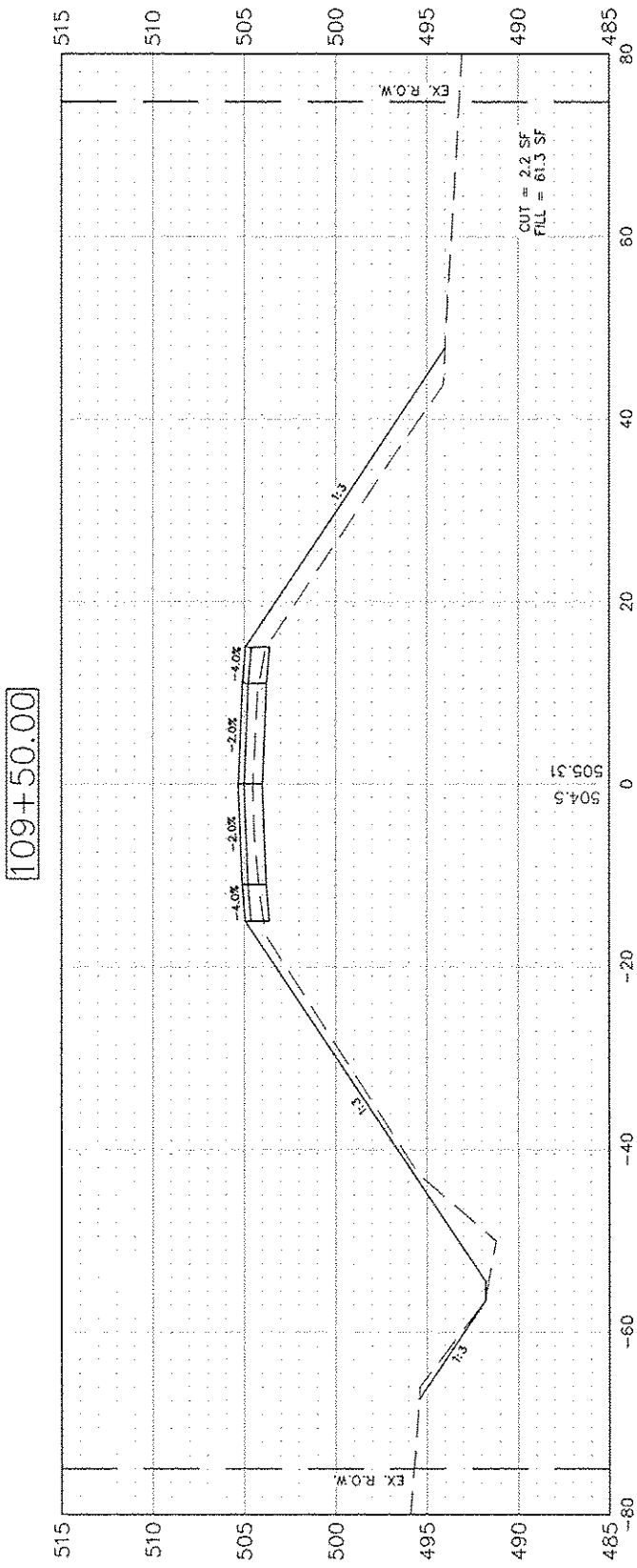
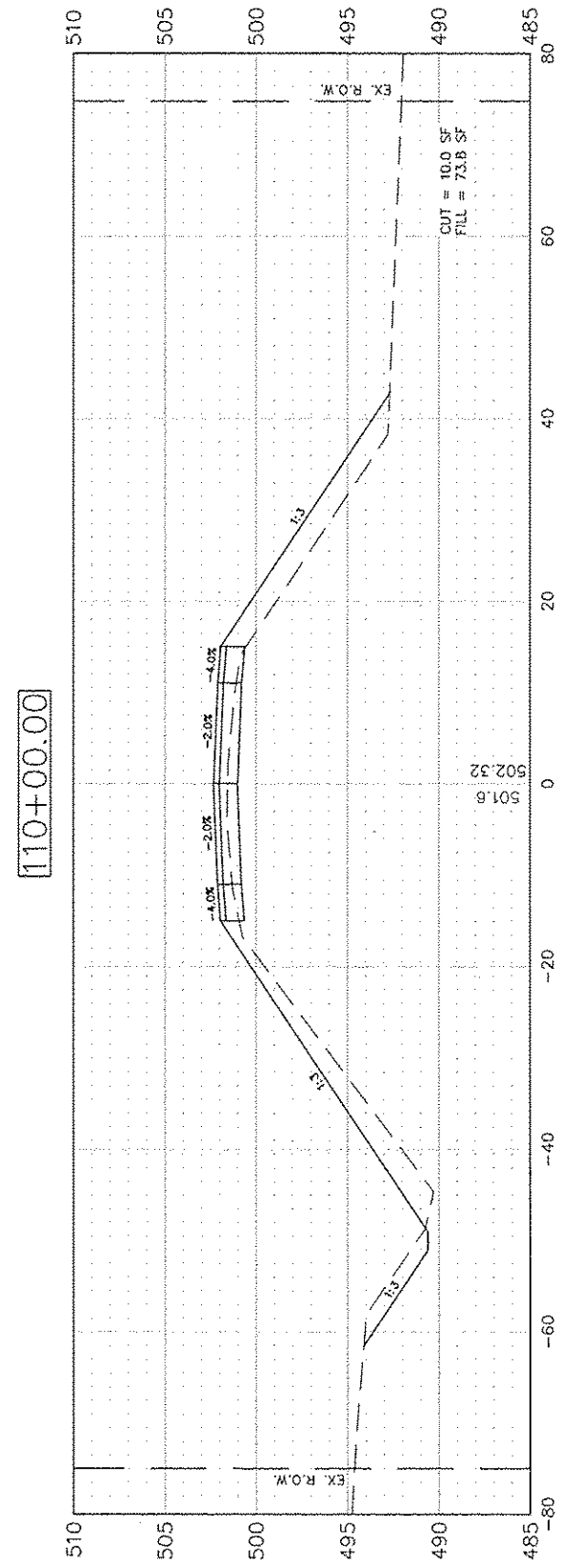
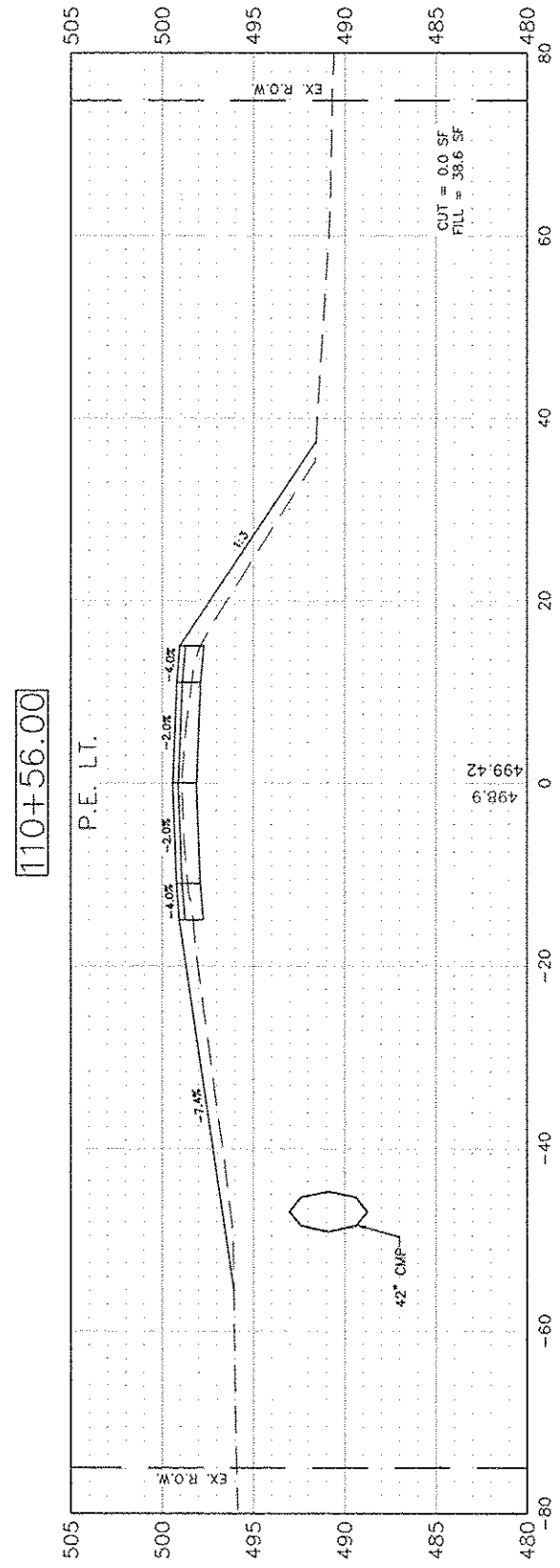
USER NAME = Horgan, Chris	DESIGNED - CAW	REVISED -
DRAWN - CSH	CHECKED - JAL	REVISED -
PLOT SCALE = 1:2	DATE - 10/21/2014	REVISED -
PLOT DATE = 10/21/2014		REVISED -

STATE OF ILLINOIS
DEPARTMENT OF TRANSPORTATION

CROSS SECTION

SCALE: 1:10 SHEET NO. 119 OF 153 SHEETS STA. 108+00 TO STA. 108+71

F.A.S. RTE.	SECTION	COUNTY	TOTAL SHEETS	SHEET NO.
748	11-00027-03-RS	JERSEY	153	119
CONTRACT NO.: 97574			FED. ROAD DIST. NO. 8	



FILE NAME = 164-308

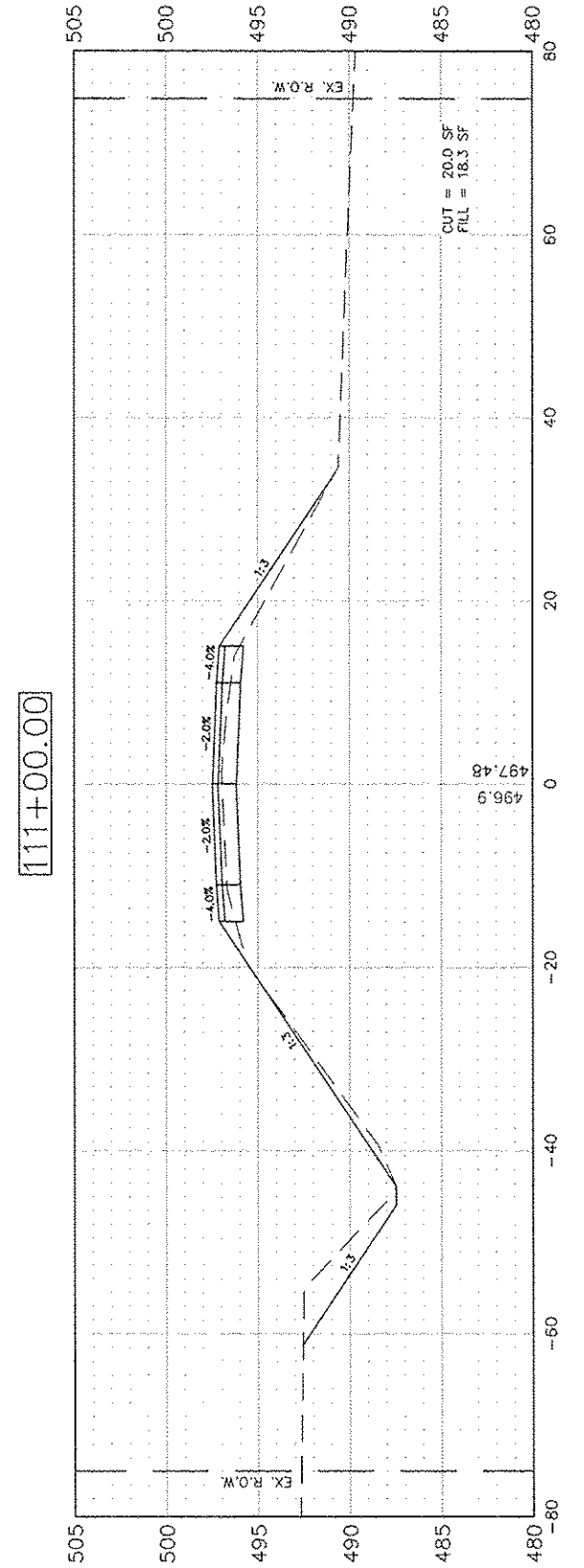
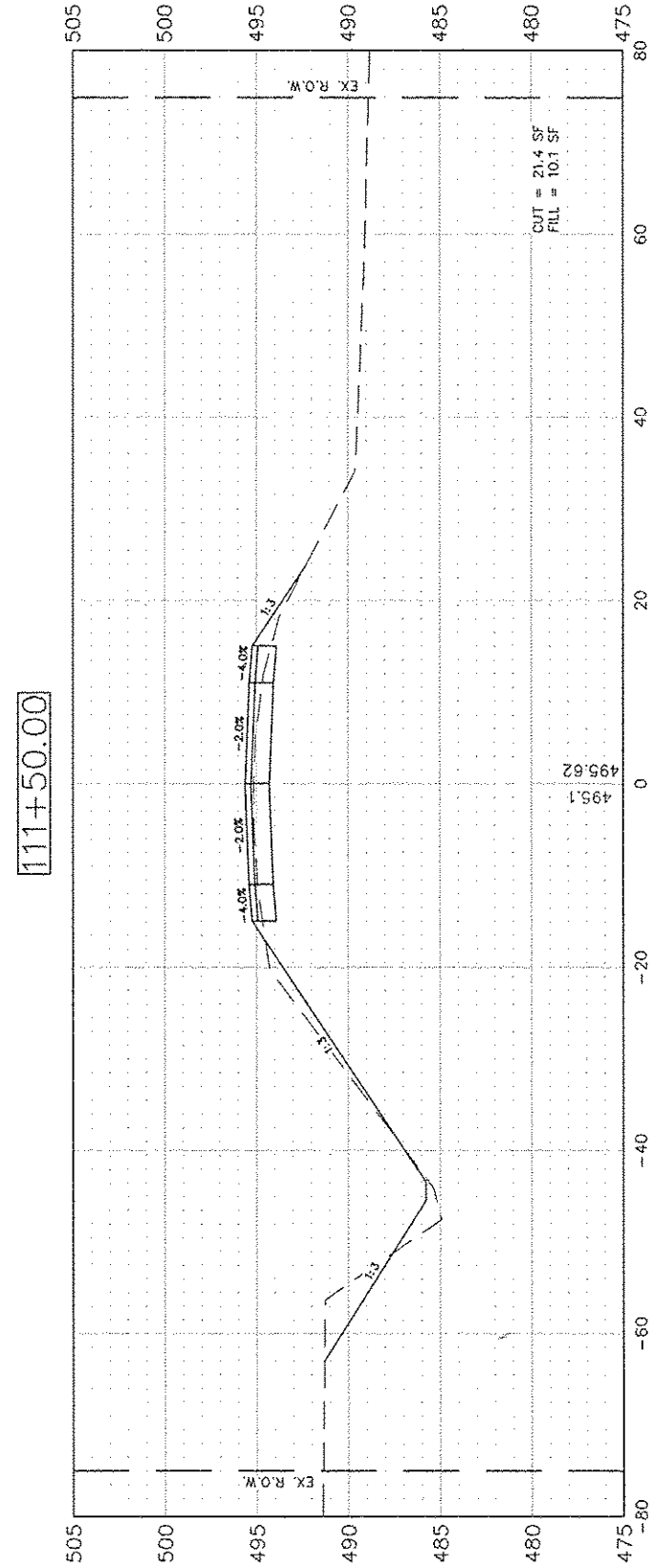
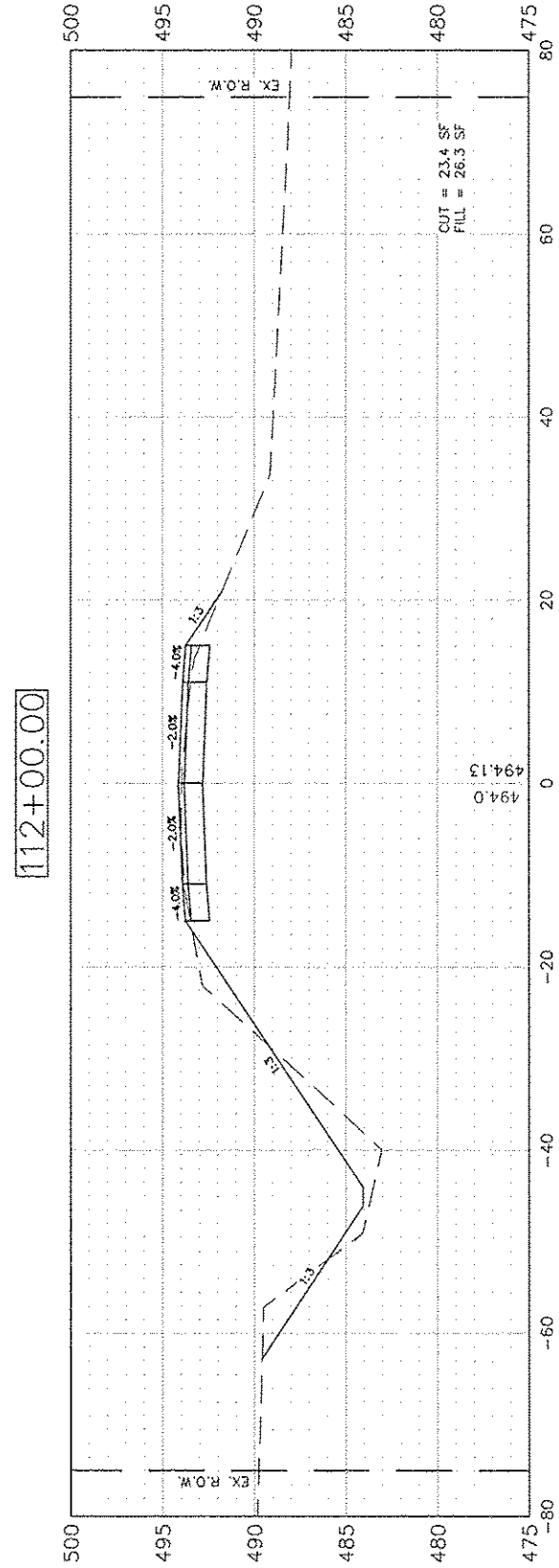
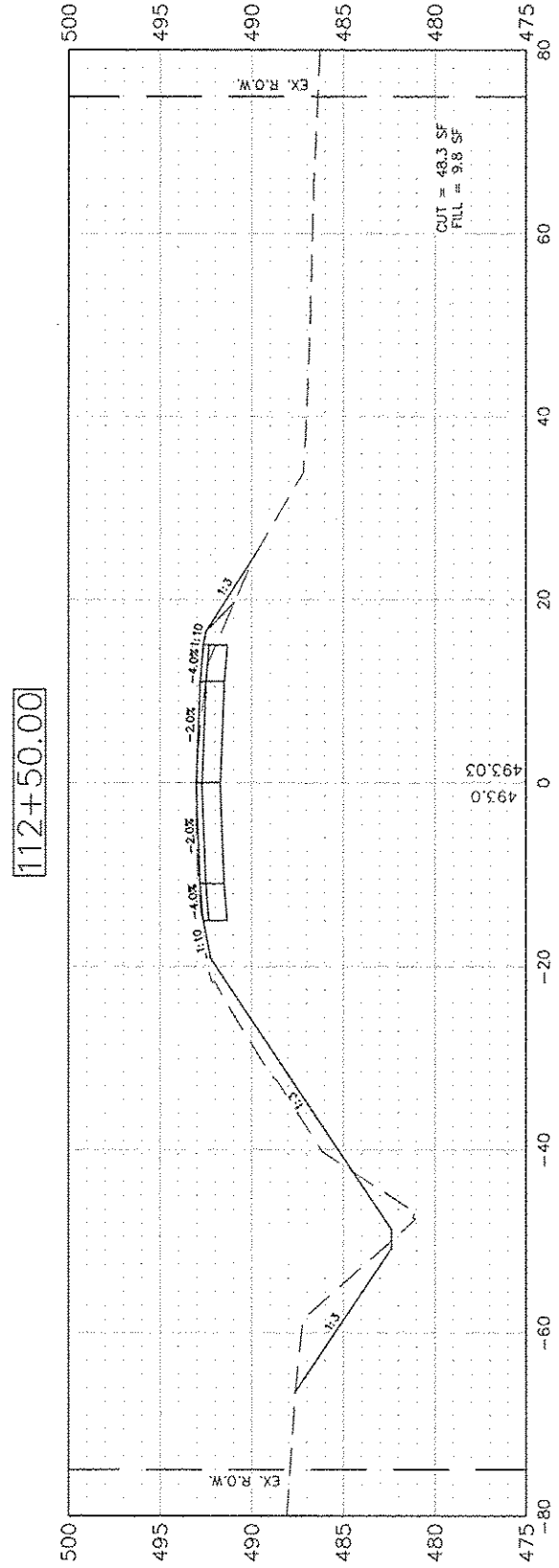
USER NAME = Horgan, Chris	DESIGNED - CAW	REVISED -
DRAWN - CSH	CHECKED - JAL	REVISED -
PLOT SCALE = 1:2	DATE - 10/21/2014	REVISED -
PLOT DATE = 10/21/2014		

STATE OF ILLINOIS
DEPARTMENT OF TRANSPORTATION

CROSS SECTION

SCALE: 1:10 SHEET NO. 120 OF 153 SHEETS STA. 109+00 TO STA. 110+56

F.A.S. RTE.	SECTION	COUNTY	TOTAL SHEETS	SHEET NO.
748	11-00027-03-RS	JERSEY	153	120
CONTRACT NO.: 97574				
REG. ROAD DIST. NO. 2 ILLINOIS TRIP AD PROJECT				



FILE NAME = 164-308

USER NAME = Horgan, Chris
 DESIGNED = CAW
 DRAWN = CSH
 CHECKED = JAL
 DATE = 10/21/2014

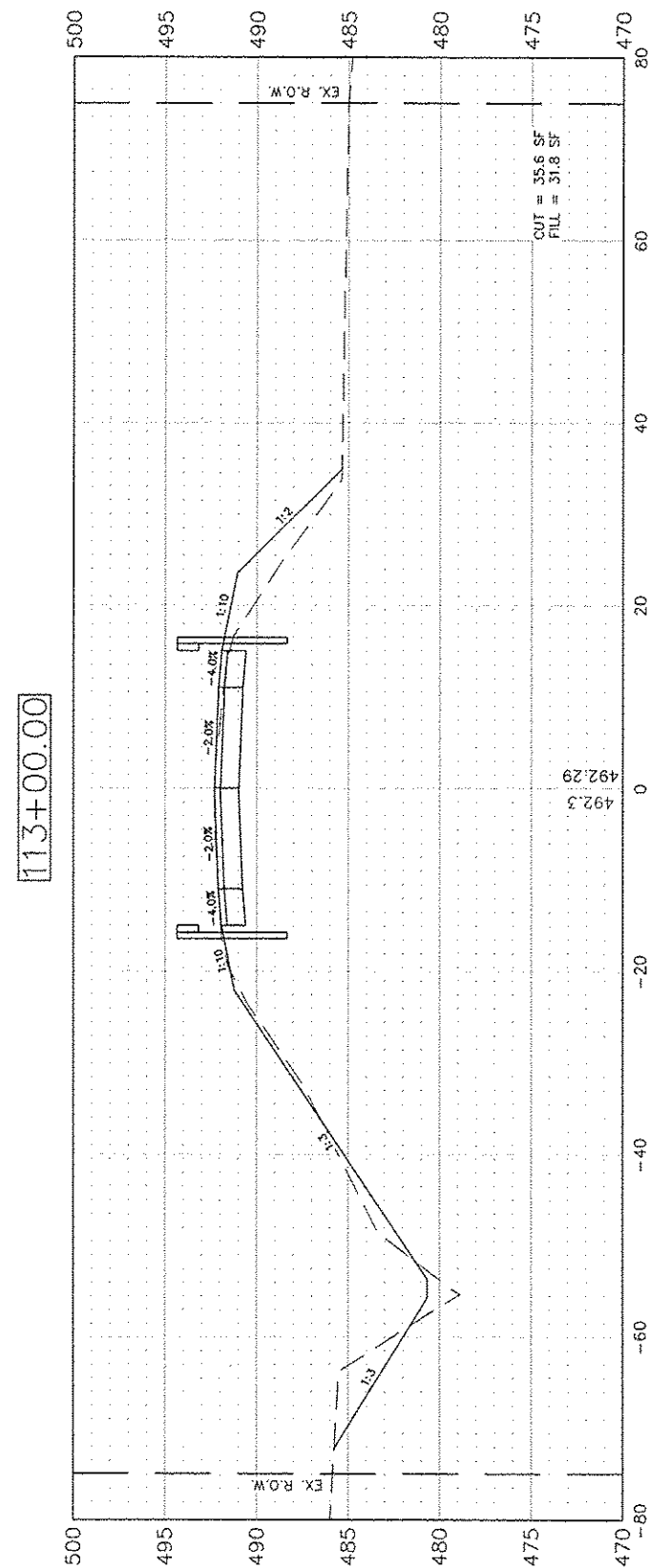
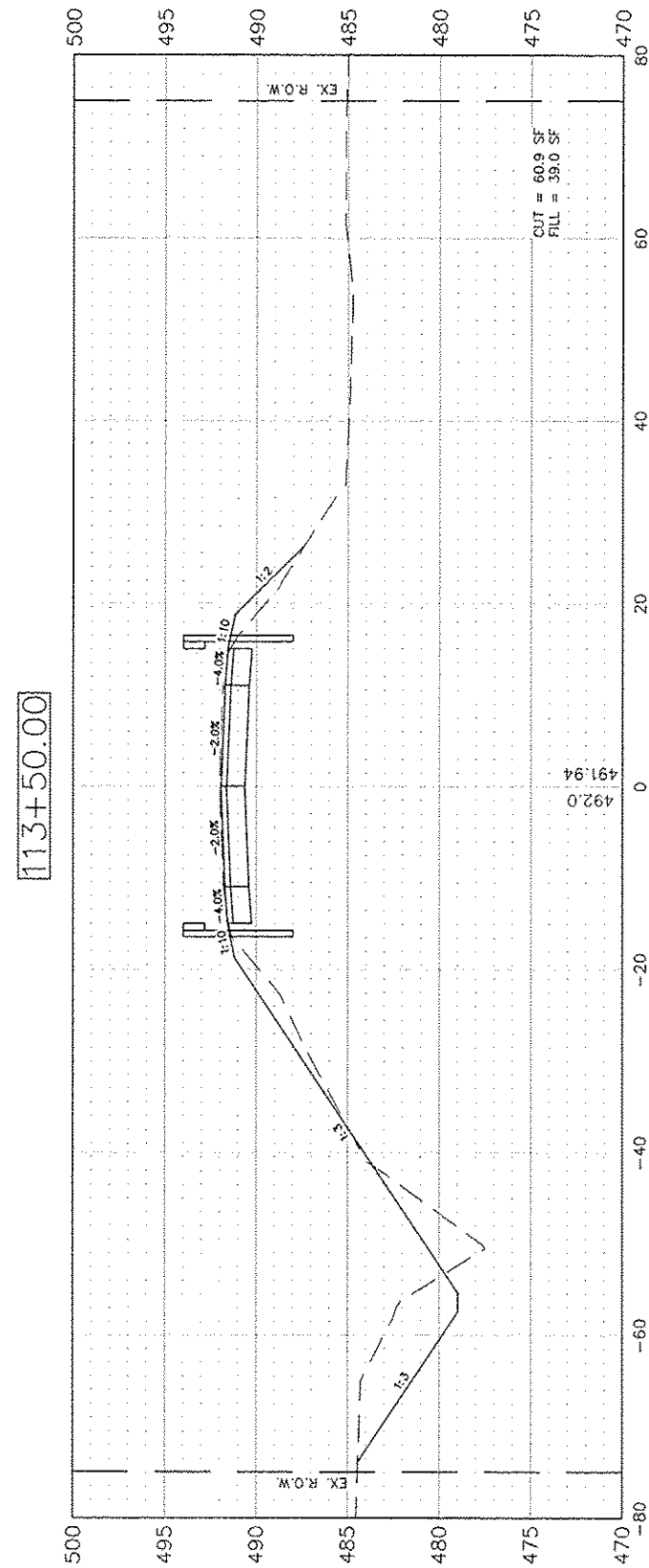
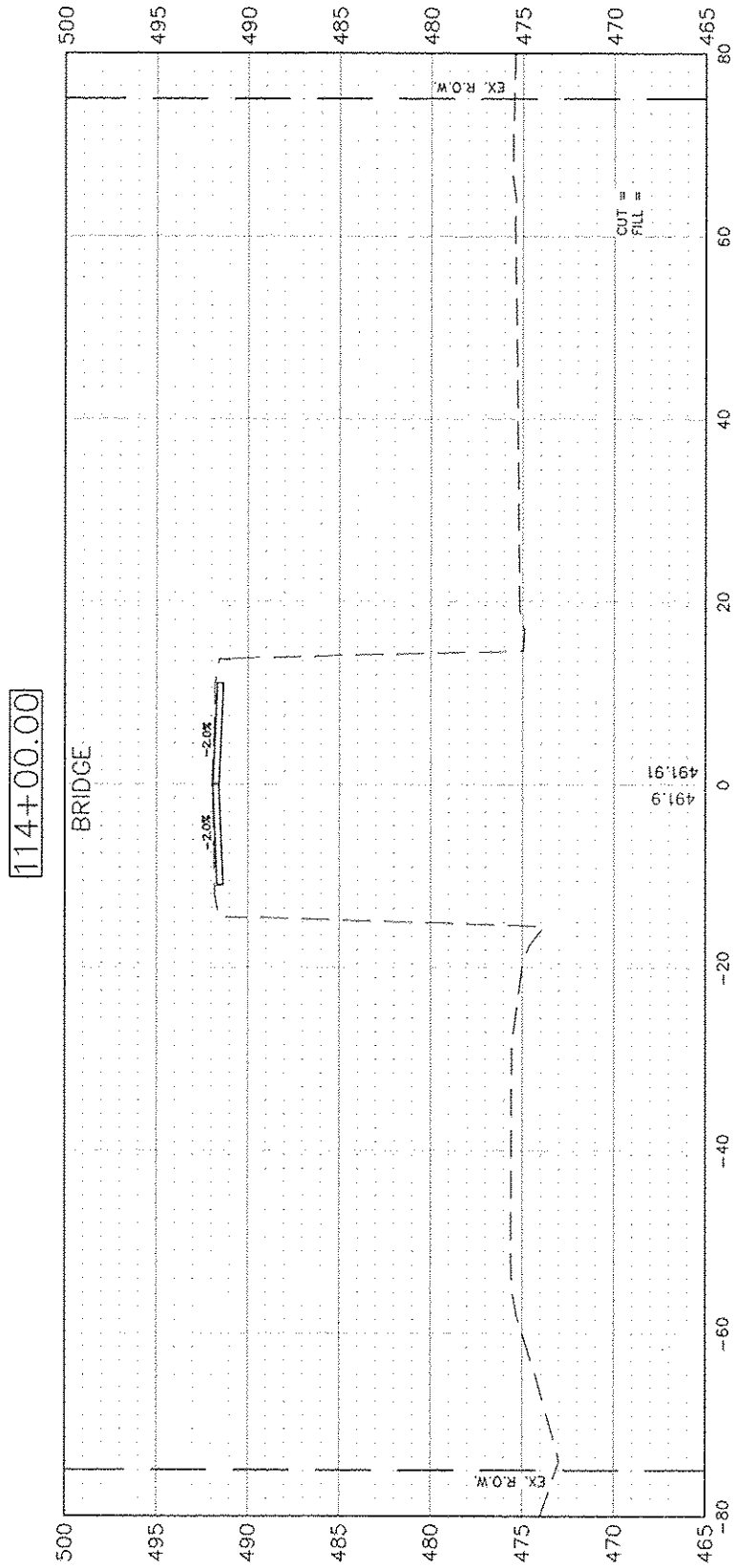
REVISED =
 REVISED =
 REVISED =
 REVISED =

STATE OF ILLINOIS
 DEPARTMENT OF TRANSPORTATION

CROSS SECTION

SCALE: 1:10 SHEET NO. 121 OF 153 SHEETS STA. 111+00 TO STA. 112+50

F.A.S. RTE.	SECTION	COUNTY	TOTAL SHEETS	SHEET NO.
748	11-00027-03-RS	JERSEY	153	121
CONTRACT NO.: 97574				



FILE NAME = 164-30B

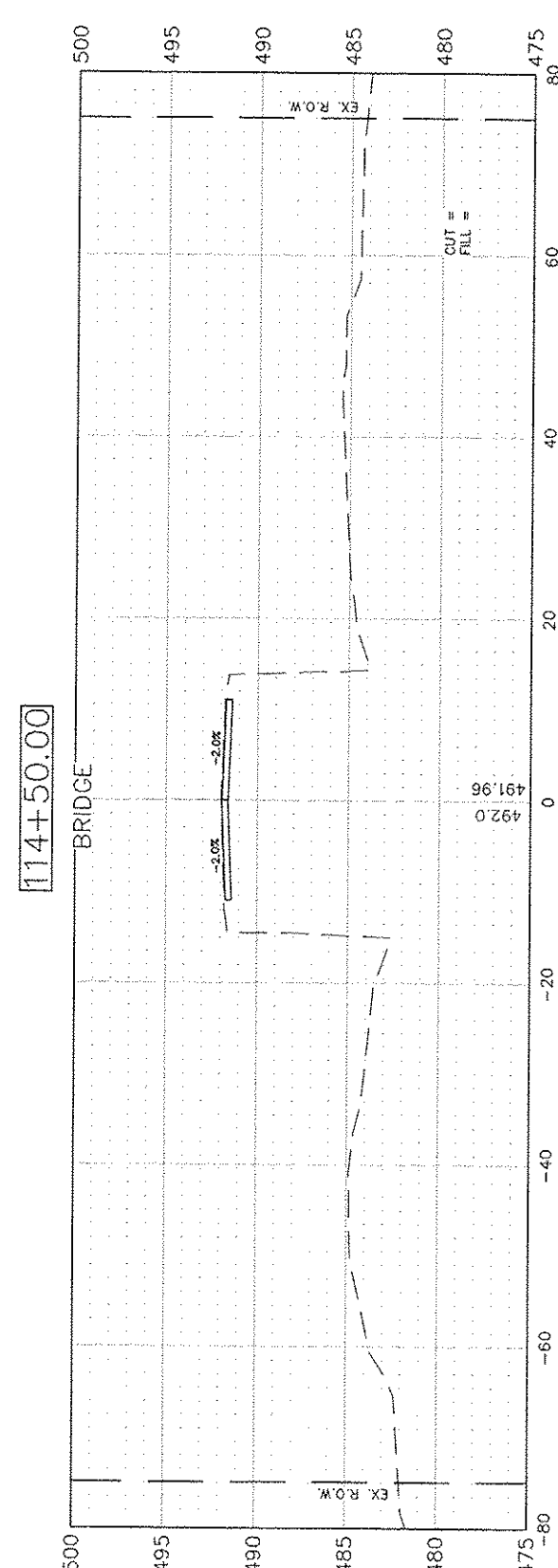
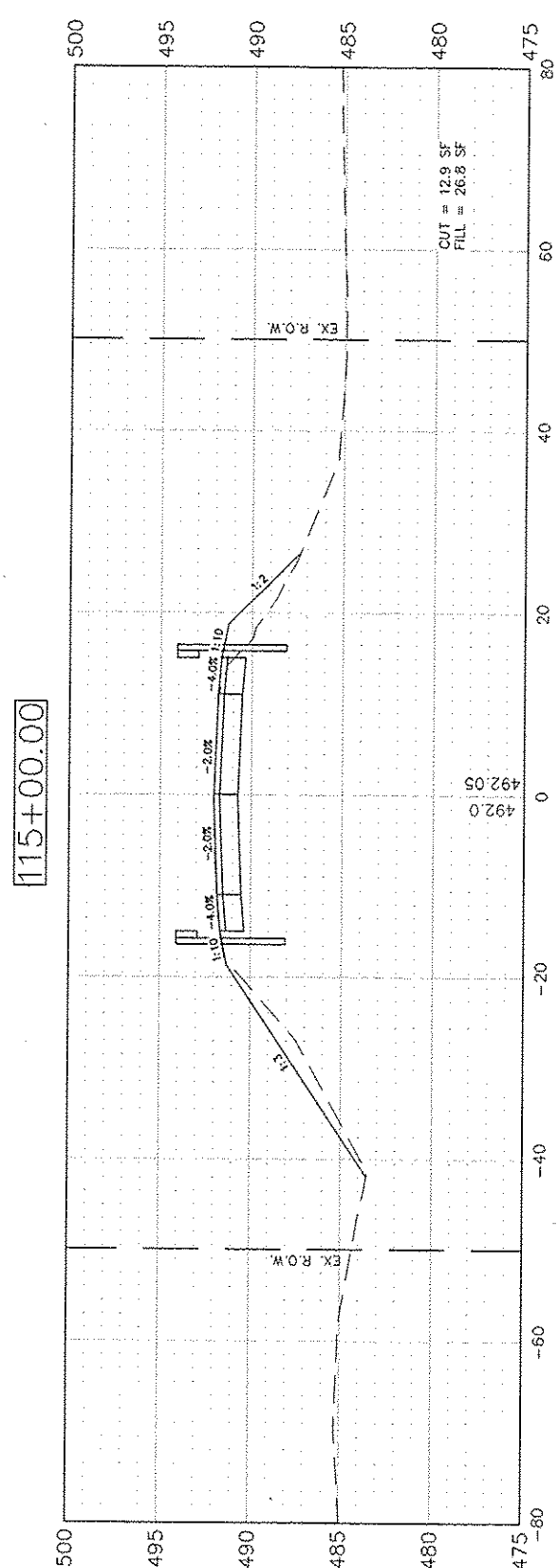
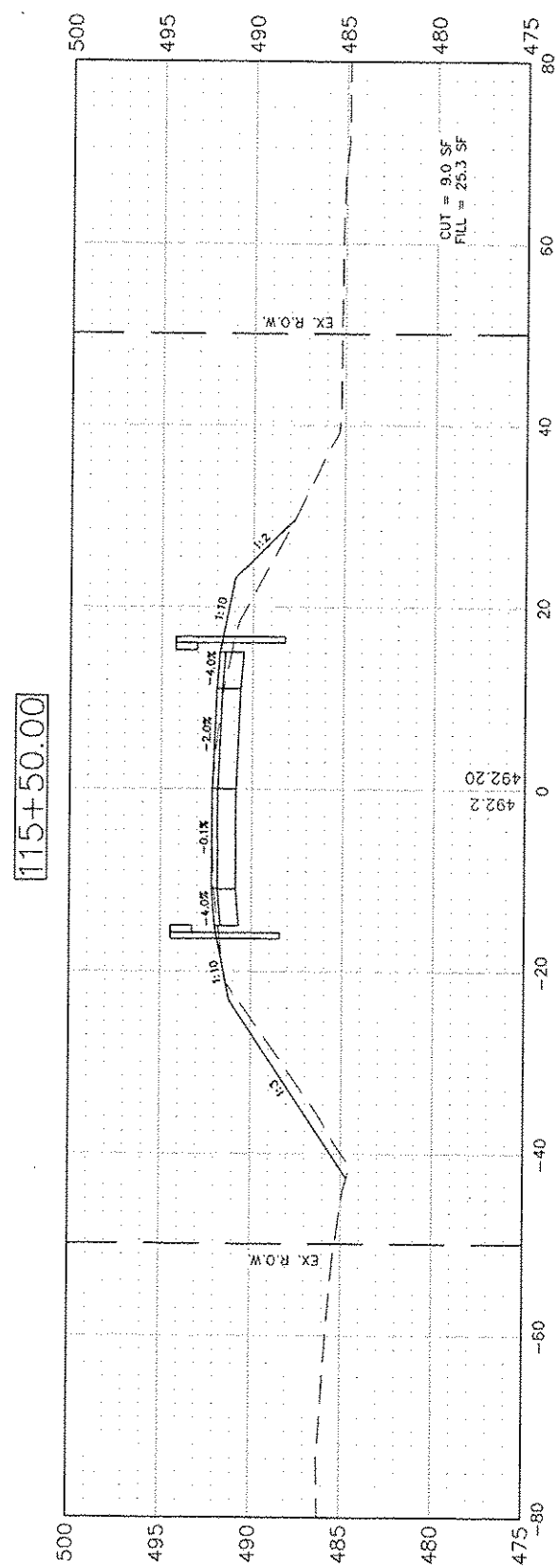
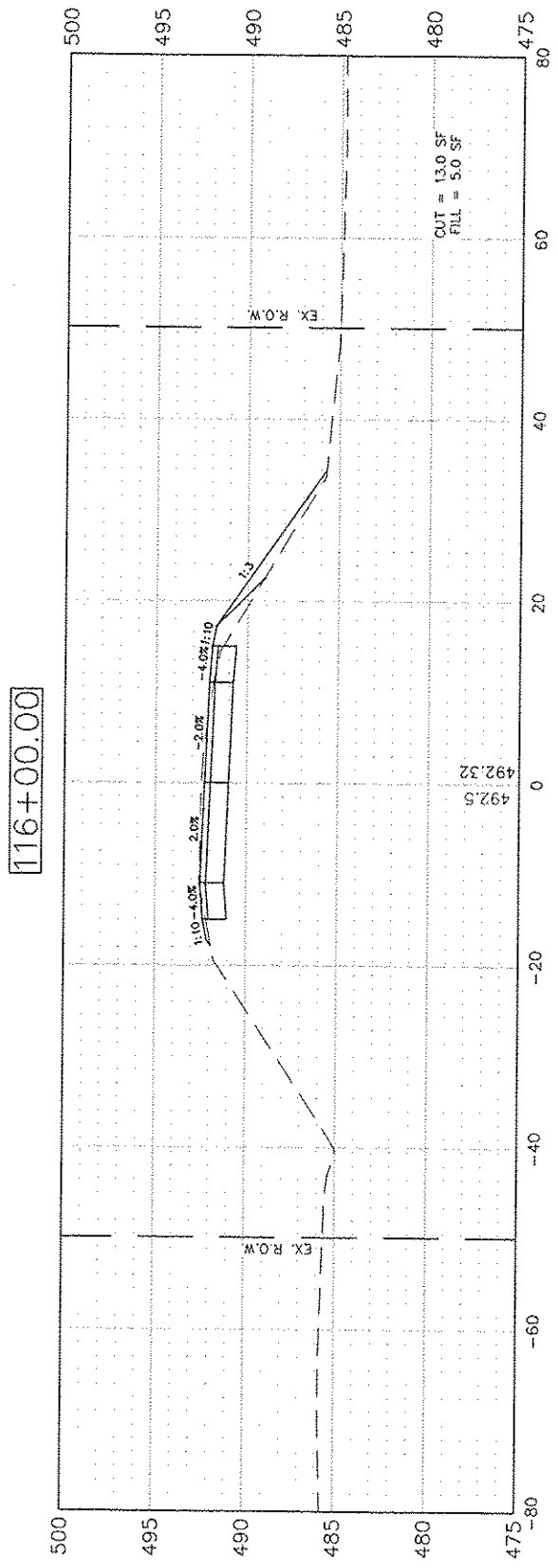
USER NAME = Horgan, Chris	DESIGNED - CAW	REVISED -
	DRAWN - CSH	REVISED -
PLOT SCALE = 1:2	CHECKED - JAL	REVISED -
PLOT DATE = 10/21/2014	DATE - 10/21/2014	REVISED -

STATE OF ILLINOIS
DEPARTMENT OF TRANSPORTATION

CROSS SECTION

SCALE: 1:10 SHEET NO. 122 OF 153 SHEETS STA. 113+00 TO STA. 114+00

F.A.S. RTE.	SECTION	COUNTY	TOTAL SHEETS	SHEET NO.
748	11-00027-03-RS	JERSEY	153	122
CONTRACT NO.: 97574			FED. ROAD DIST. NO. 8 ILLINOIS FED. AID PROJECT	



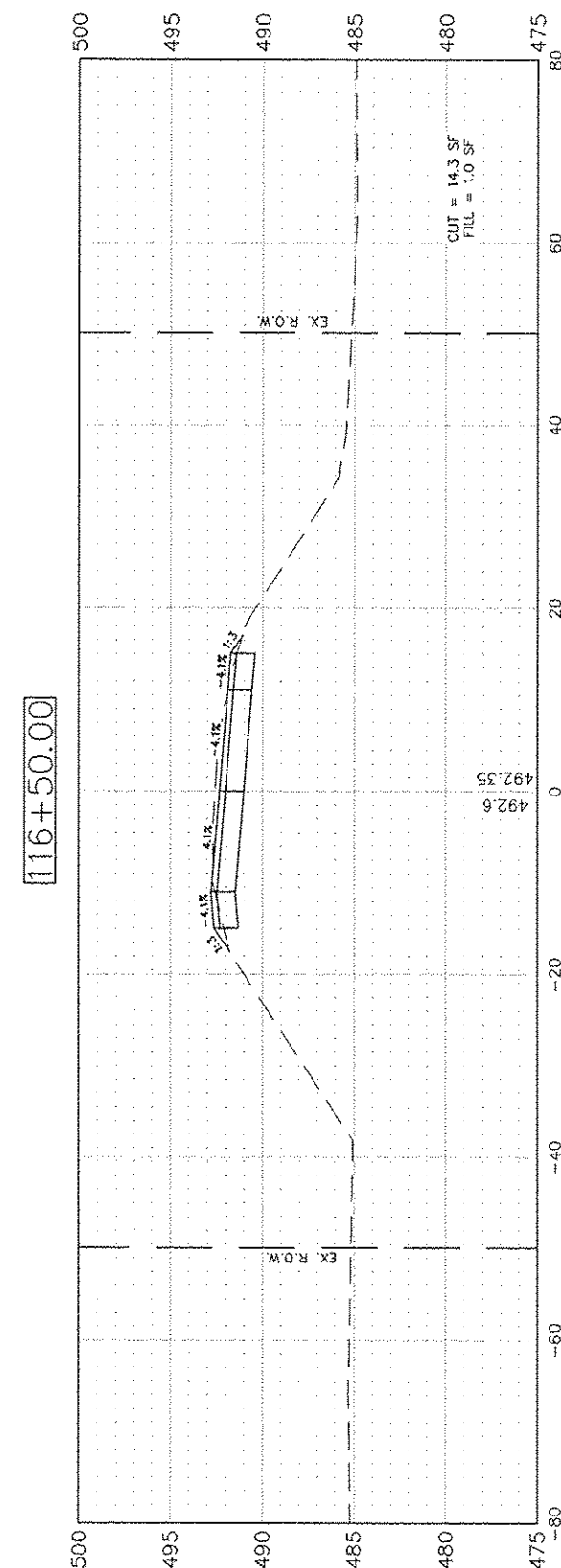
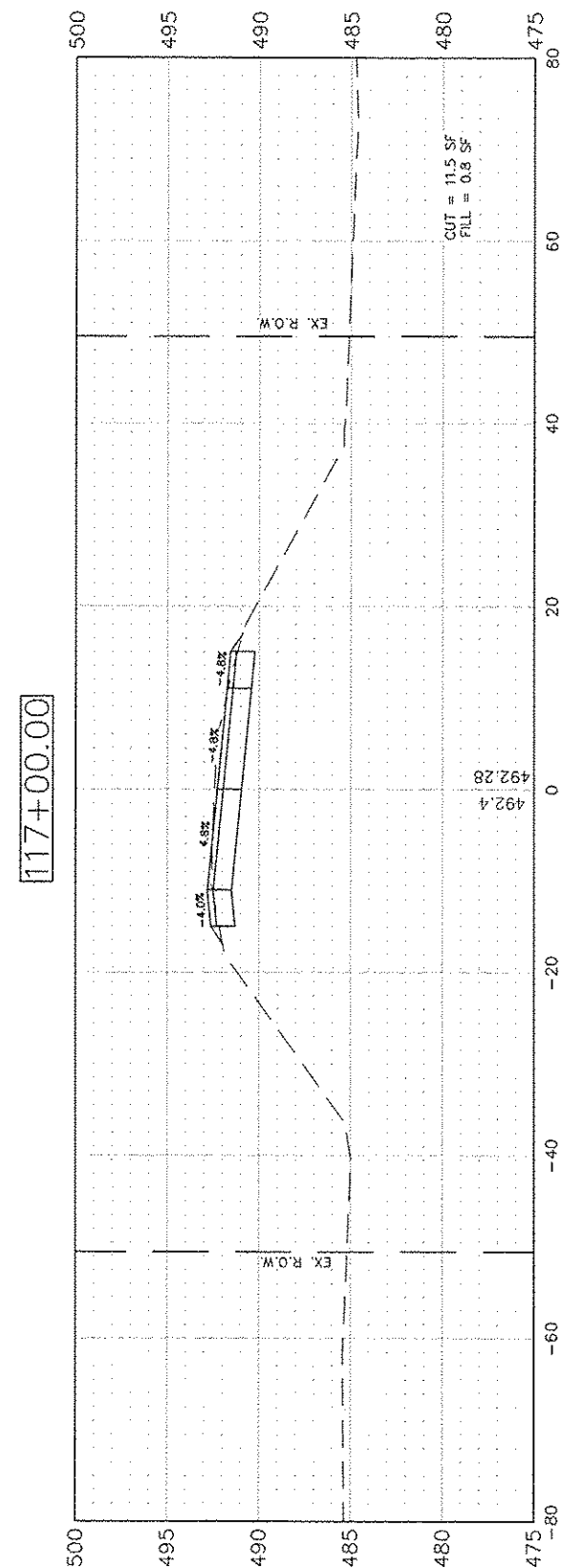
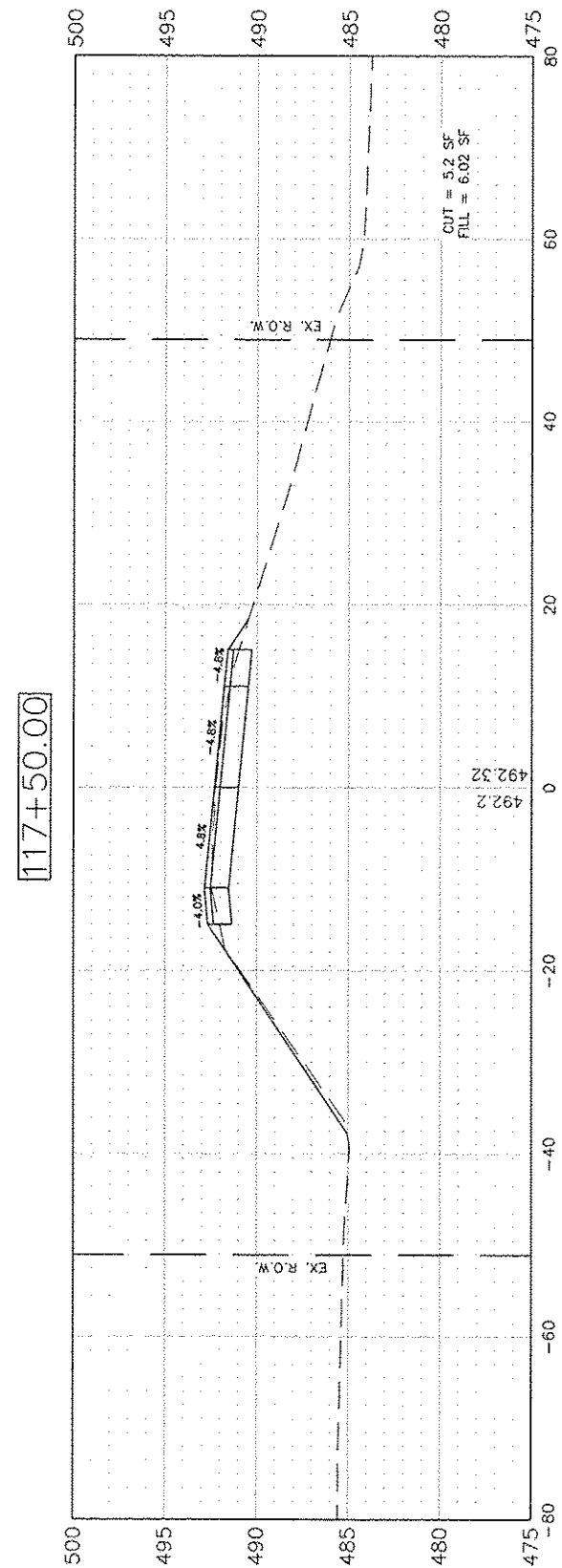
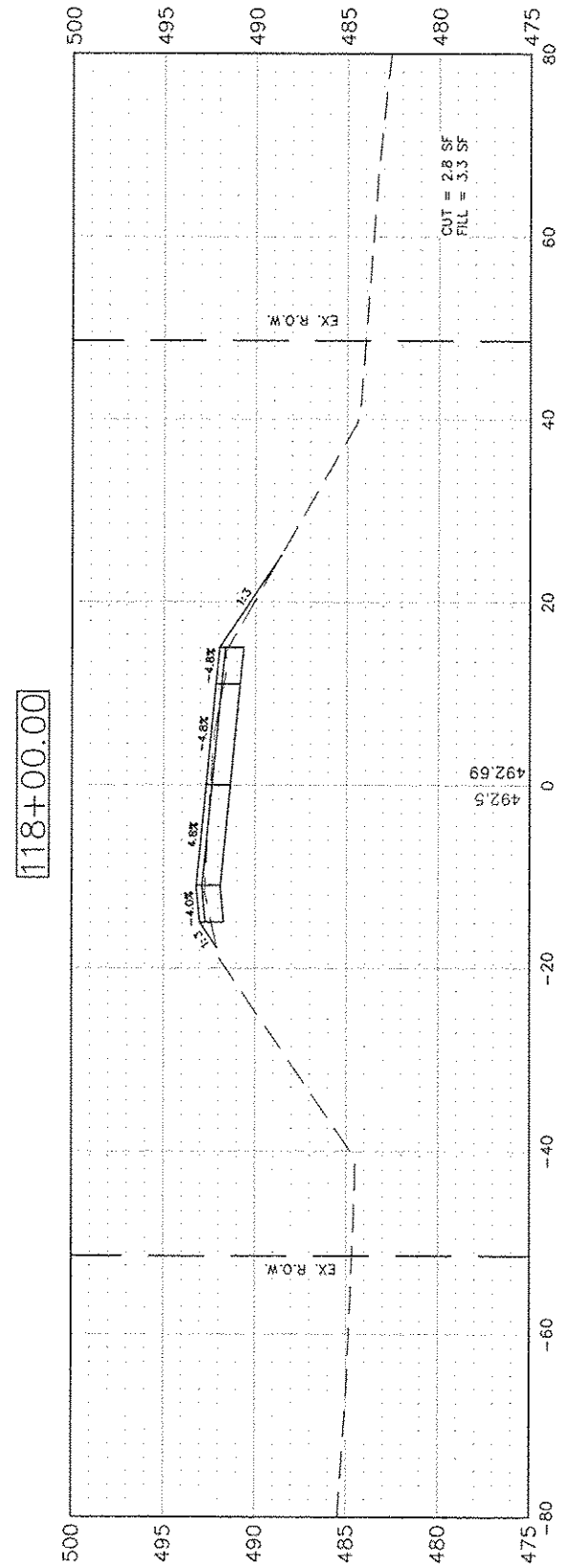
FILE NAME = 164-308	USER NAME = Horgan, Chris	DESIGNED = CAW	REVISED =
	PLOT SCALE = 1:2	DRAWN = CSH	REVISED =
	PLOT DATE = 10/21/2014	CHECKED = JAL	REVISED =
		DATE = 10/21/2014	REVISED =

STATE OF ILLINOIS
DEPARTMENT OF TRANSPORTATION

CROSS SECTION

SCALE: 1:10 SHEET NO. 123 OF 153 SHEETS STA. 114+50 TO STA. 116+00

F.A.S. RTE.	SECTION	COUNTY	TOTAL SHEETS	SHEET NO.
748	11-00027-03-RS	JERSEY	153	123
CONTRACT NO.: 97574				



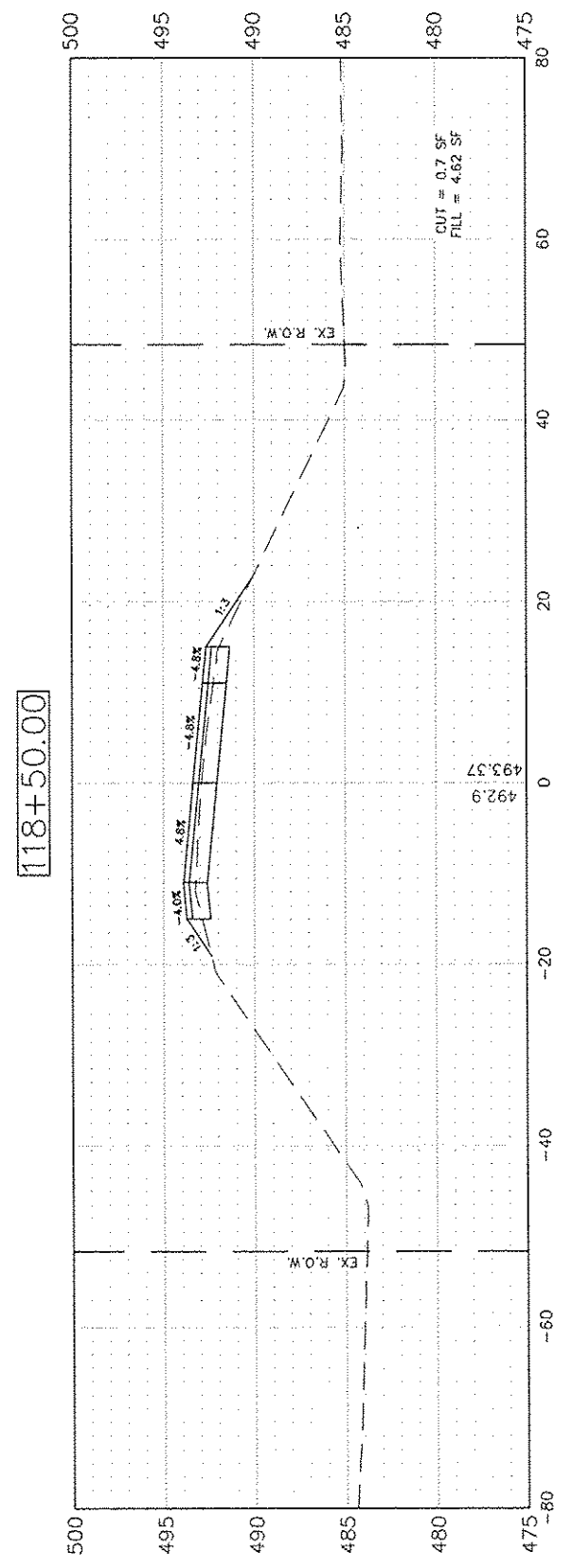
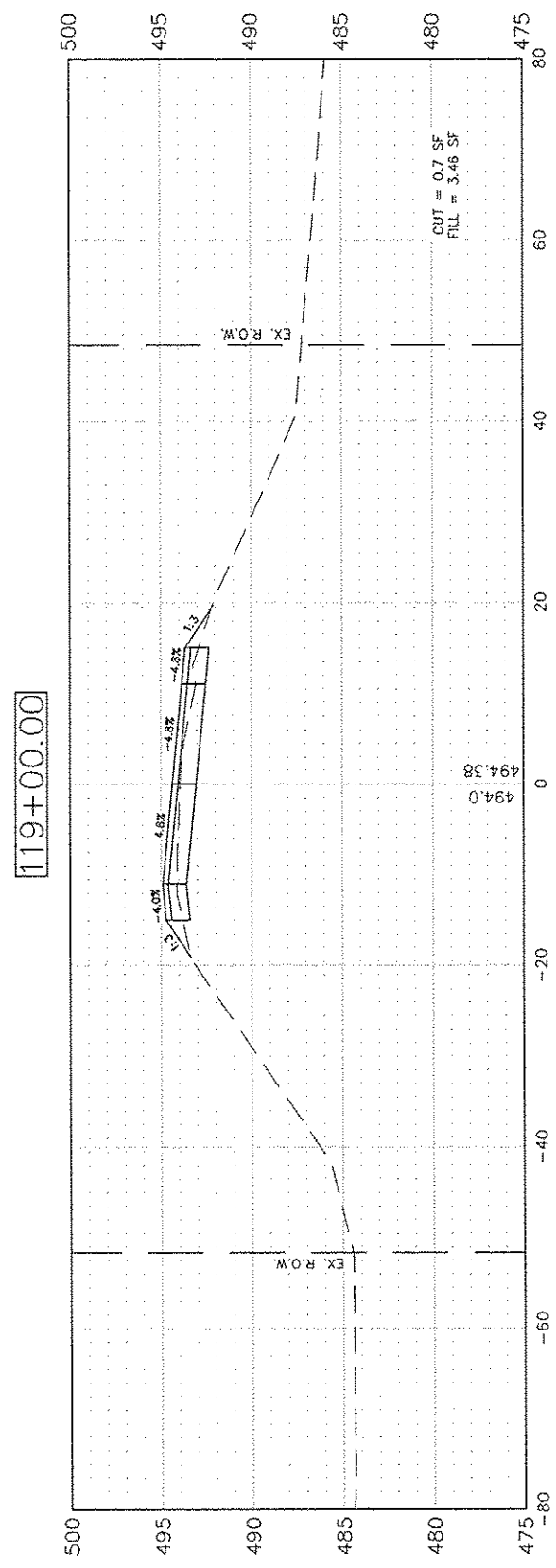
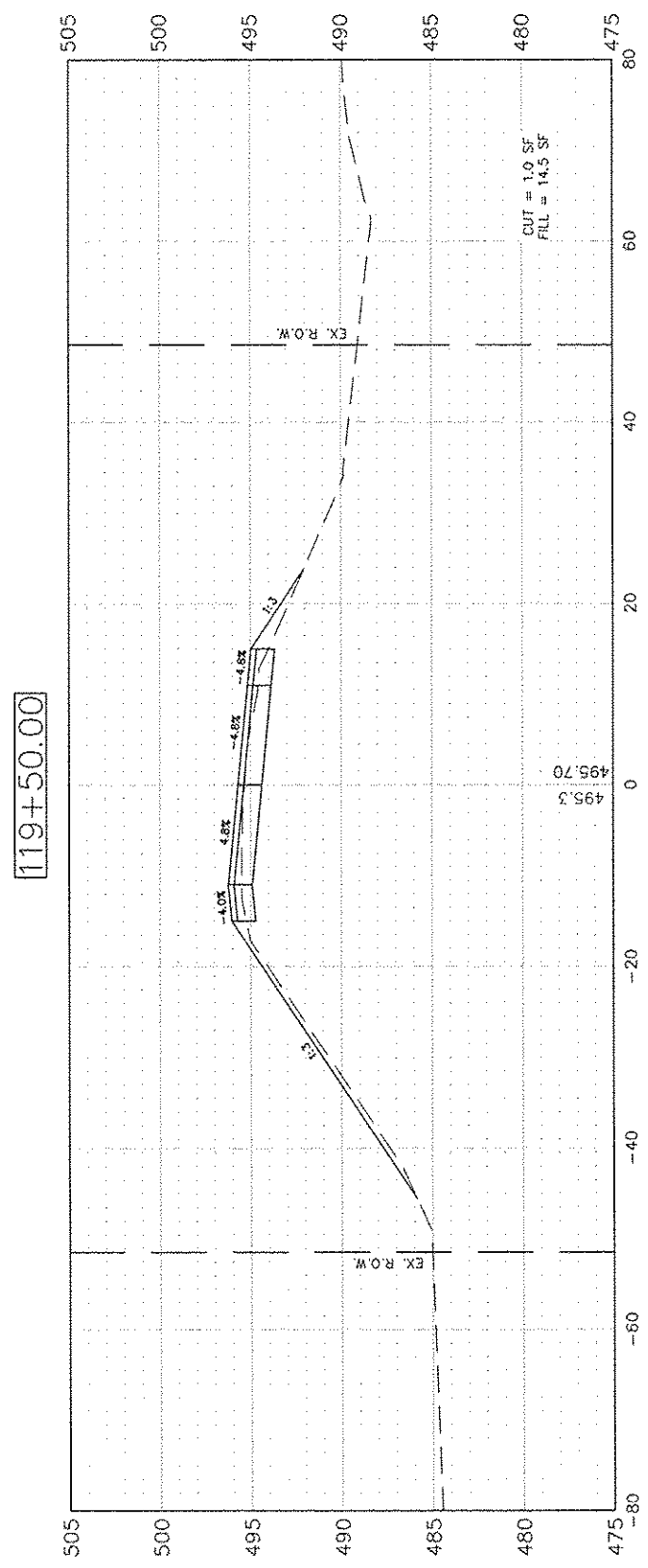
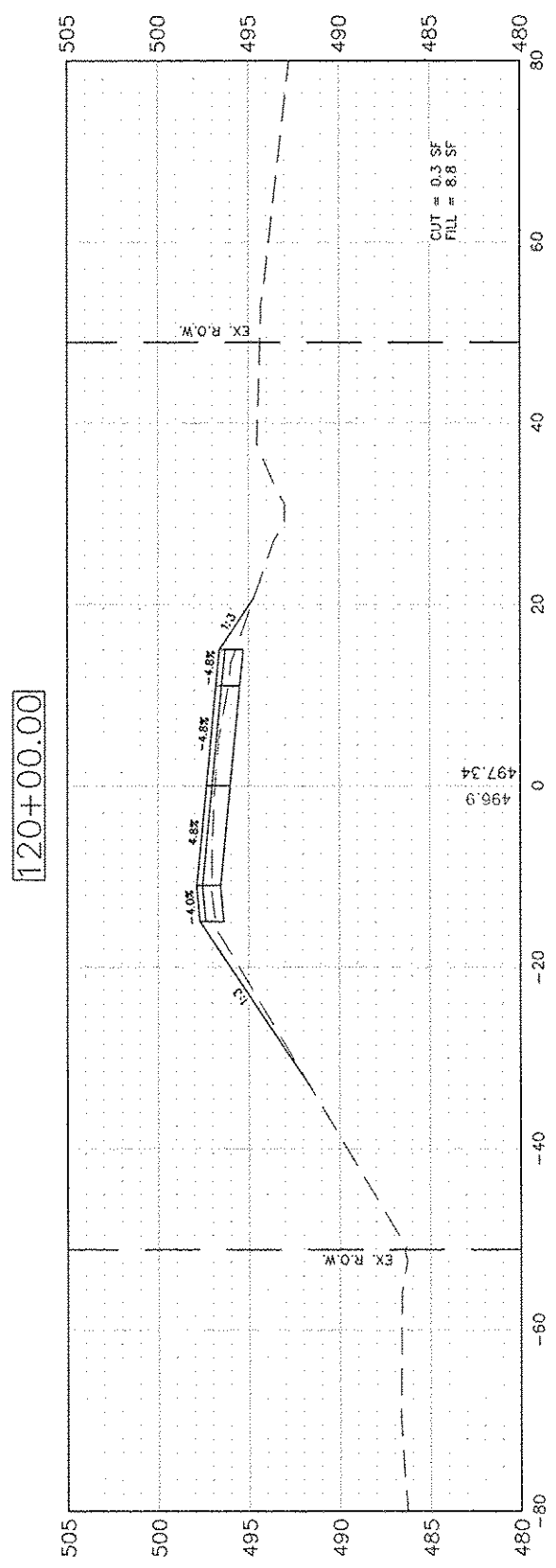
FILE NAME = 164-308	USER NAME = Horgan, Chris	DESIGNED - CAW	REVISED -
		DRAWN - CSH	REVISED -
	PLOT SCALE = 1:2	CHECKED - JAL	REVISED -
	PLOT DATE = 10/21/2014	DATE - 10/21/2014	REVISED -

**STATE OF ILLINOIS
DEPARTMENT OF TRANSPORTATION**

CROSS SECTION

SCALE: 1:10 SHEET NO. 124 OF 153 SHEETS STA. 116+50 TO STA. 118+00

F.A.S. RTE.	SECTION	COUNTY	TOTAL SHEETS	SHEET NO.
748	11-00027-03-RS	JERSEY	153	124
CONTRACT NO.: 97574				



FILE NAME = 164-308

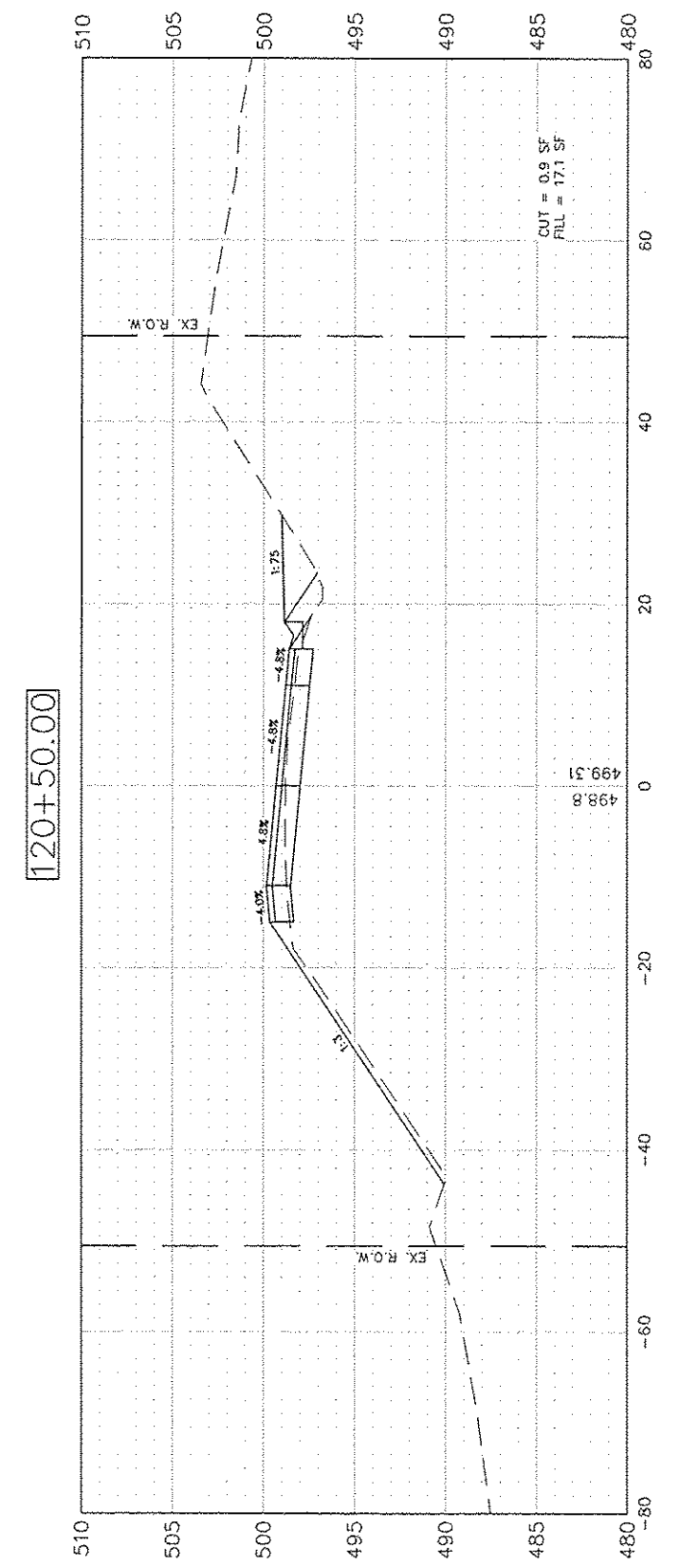
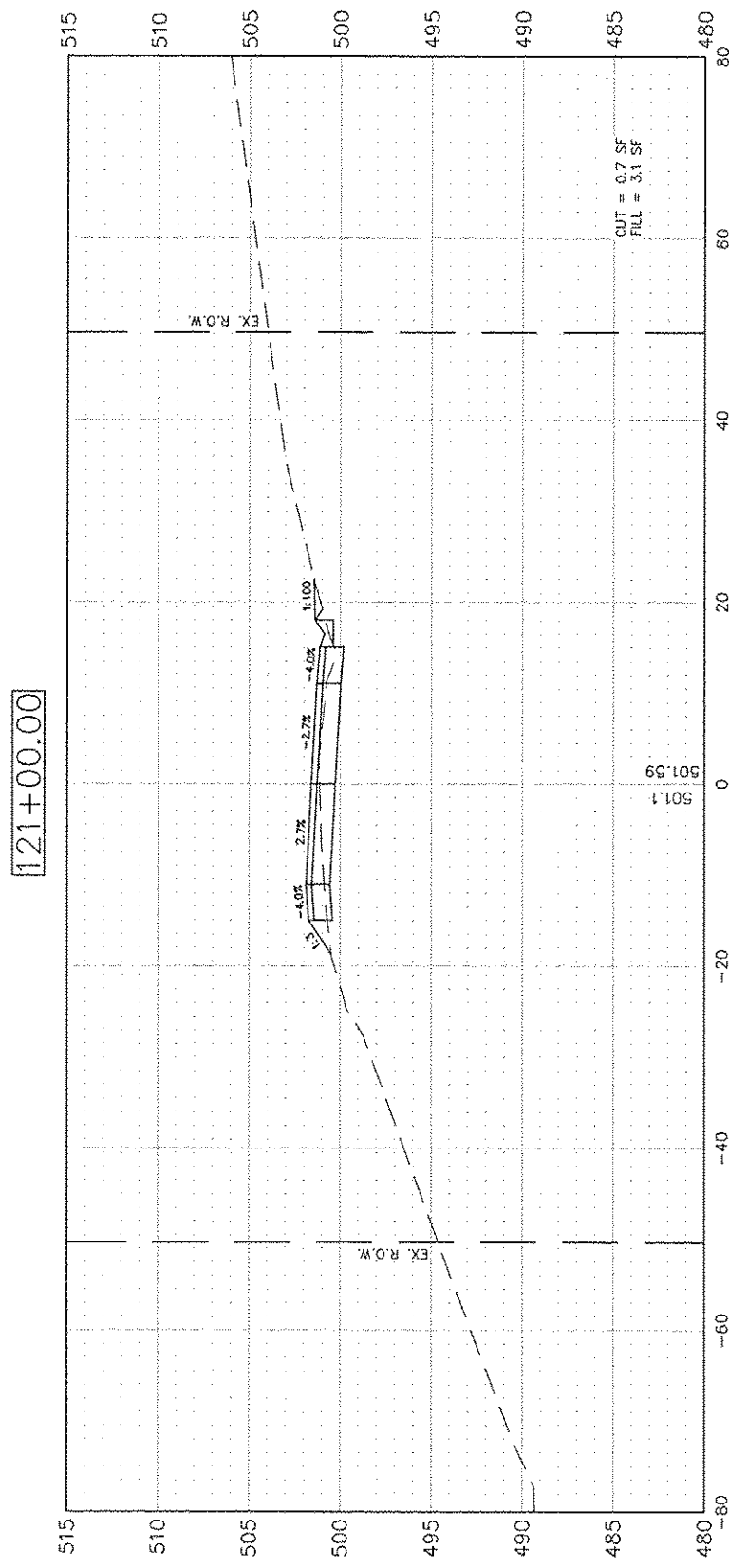
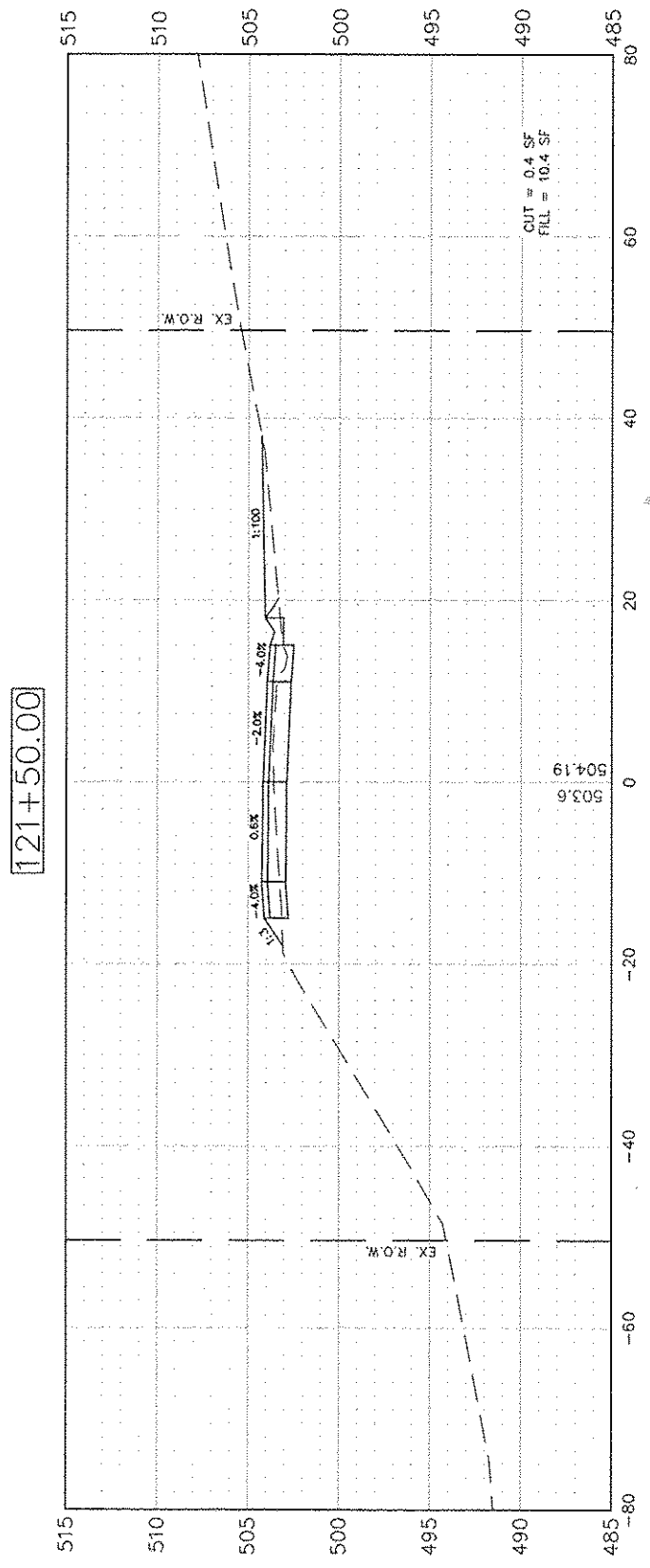
USER NAME = Horgan, Chris	DESIGNED - CAW	REVISED -
	DRAWN - CSH	REVISED -
PLOT SCALE = 1:2	CHECKED - JAL	REVISED -
PLOT DATE = 10/21/2014	DATE - 10/21/2014	REVISED -

**STATE OF ILLINOIS
DEPARTMENT OF TRANSPORTATION**

CROSS SECTION

SCALE: 1:10 SHEET NO. 125 OF 153 SHEETS STA. 118+50 TO STA. 120+00

F.A.S. RTE. 748	SECTION 11-00027-03-RS	COUNTY JERSEY	TOTAL SHEETS 153	SHEET NO. 125
CONTRACT NO.: 97574				



FILE NAME = 164-308

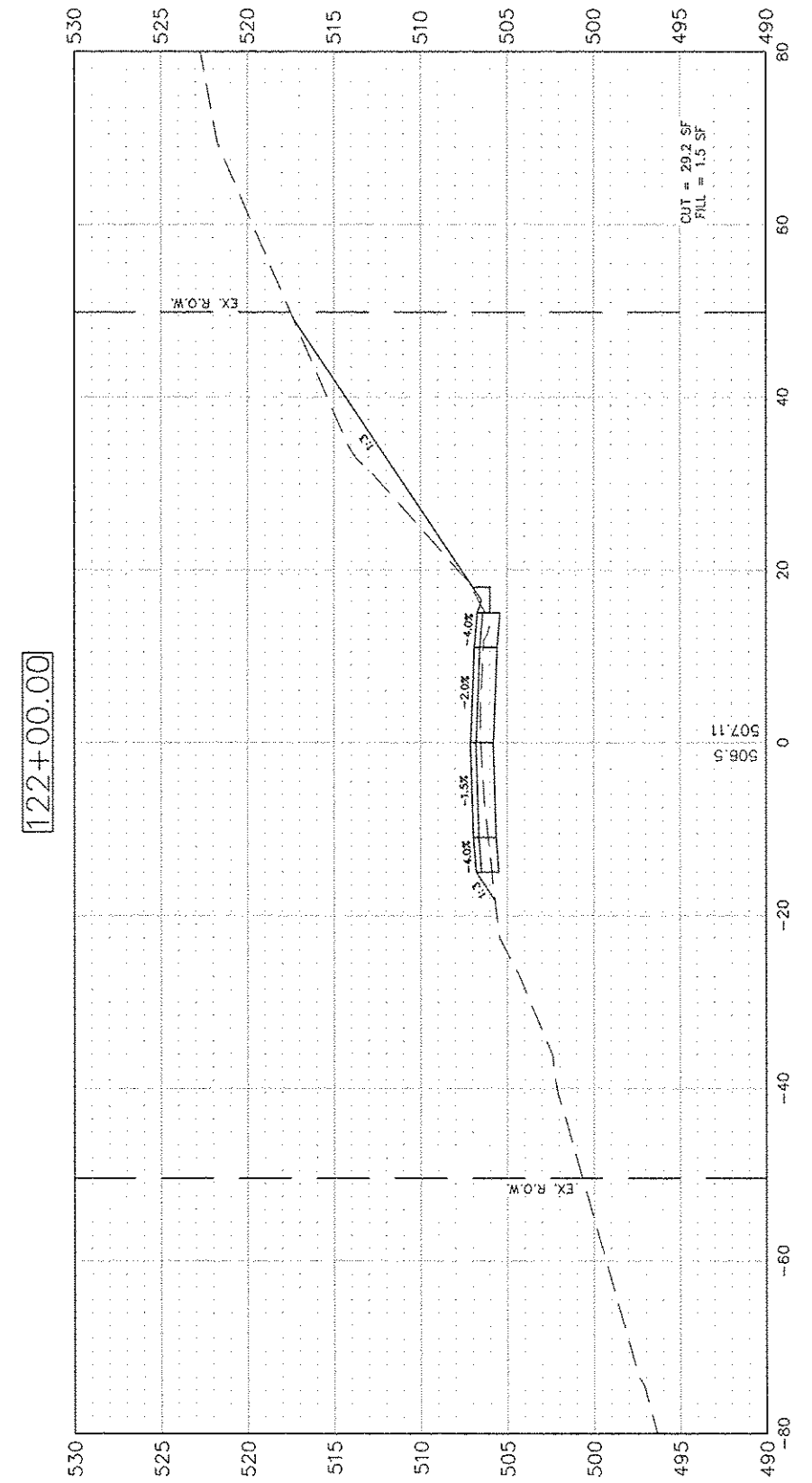
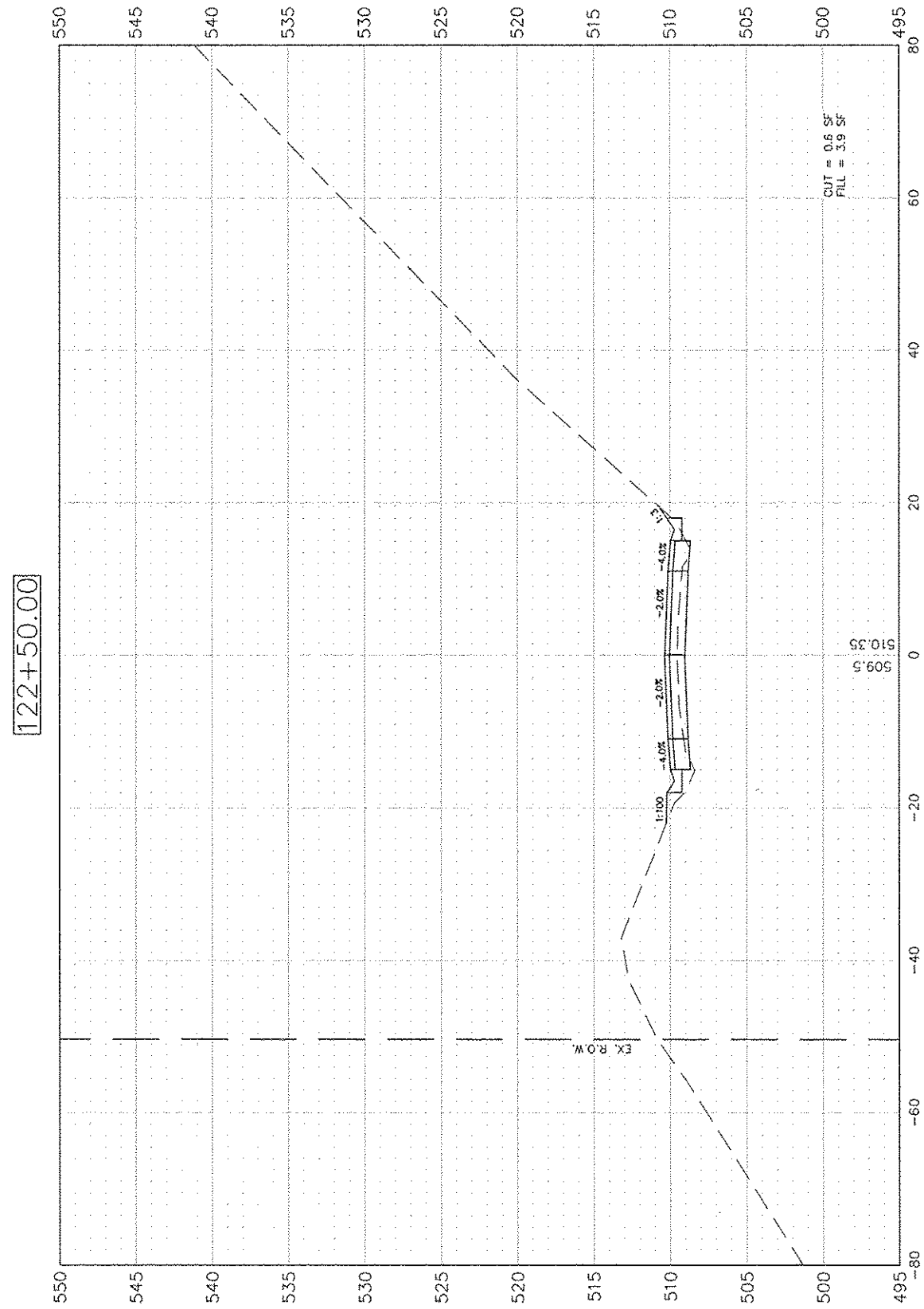
USER NAME = Hargon, Chris
DESIGNED = CAW
DRAWN = CSH
PLOT SCALE = 1:2
CHECKED = JAL
PLOT DATE = 10/21/2014
DATE = 10/21/2014

REVISED =
REVISED =
REVISED =
REVISED =

STATE OF ILLINOIS
DEPARTMENT OF TRANSPORTATION

CROSS SECTION
SCALE: 1:10
SHEET NO. 126 OF 153 SHEETS
1STA. 120+50 TO STA. 121+50

F.A.S. RTE.	SECTION	COUNTY	TOTAL SHEETS	SHEET NO.
748	11-00027-03-RS	JERSEY	153	126
CONTRACT NO.: 97574				



FILE NAME = 164-308

USER NAME = Hargon, Chris	DESIGNED - CAW	REVISED -
	DRAWN - CSH	REVISED -
PLOT SCALE = 1:2	CHECKED - JAL	REVISED -
PLOT DATE = 10/21/2014	DATE - 10/21/2014	REVISED -

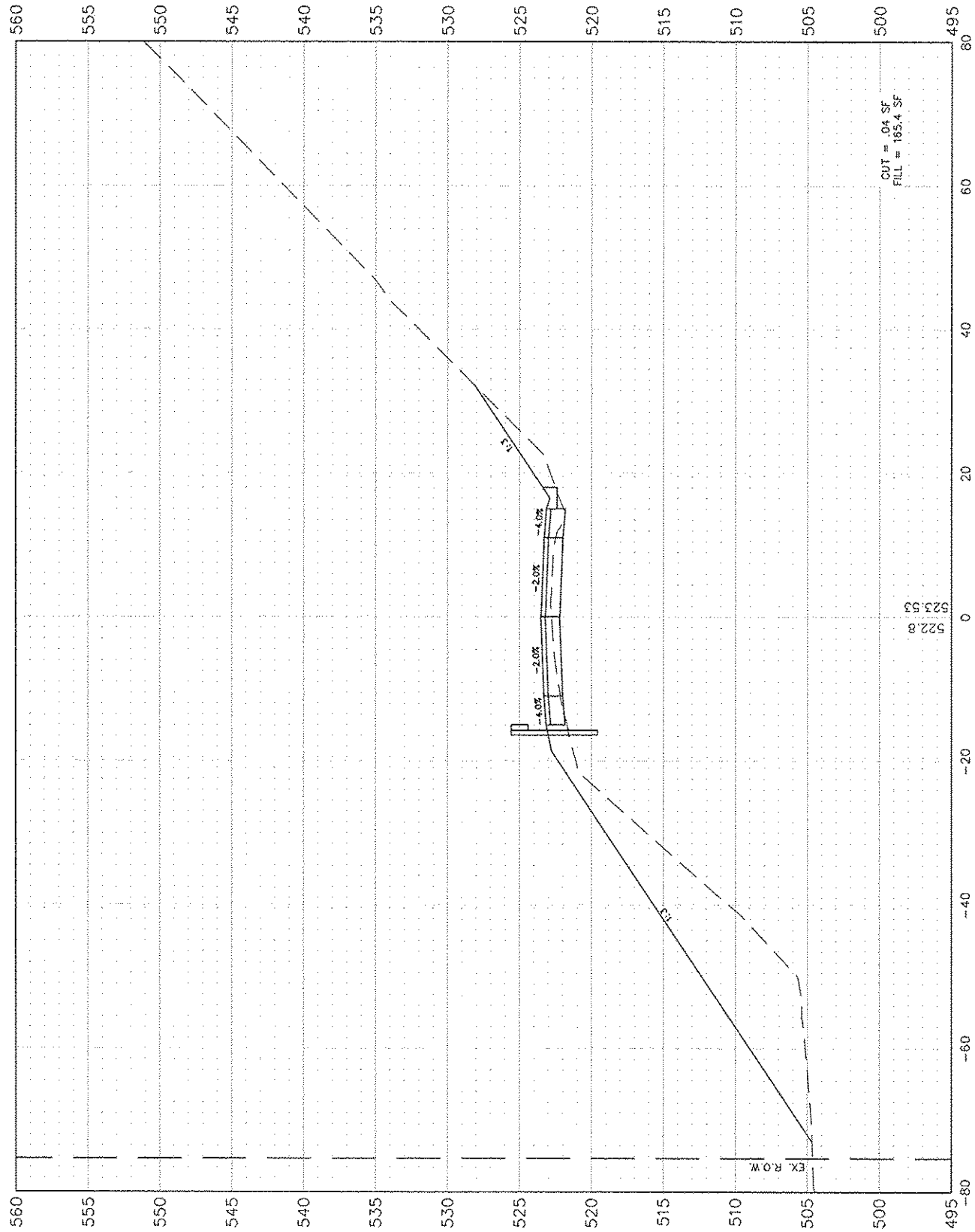
STATE OF ILLINOIS
DEPARTMENT OF TRANSPORTATION

CROSS SECTION

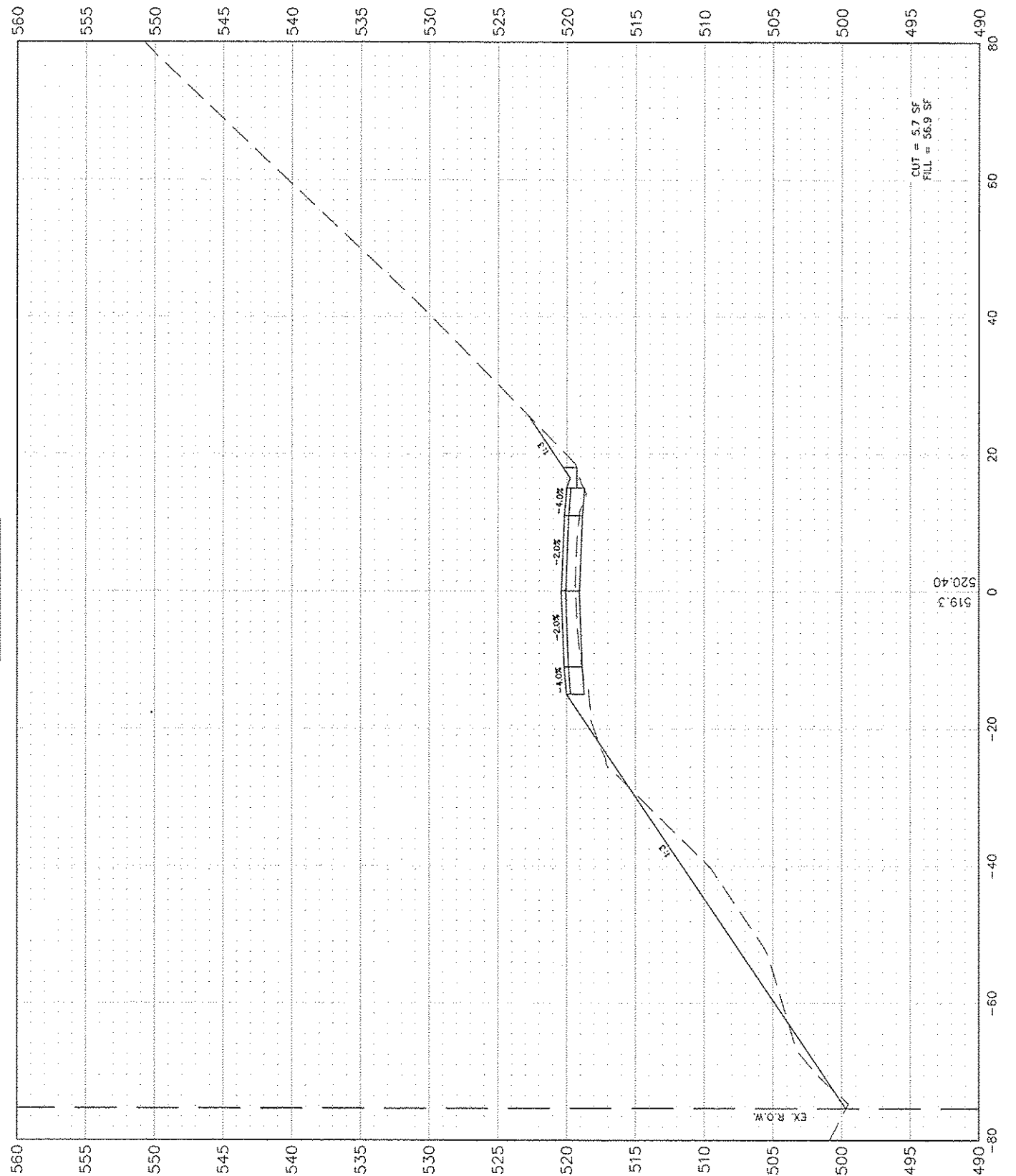
SCALE: 1:10 SHEET NO. 127 OF 153 SHEETS STA. 122+00 TO STA. 122+50

F.A.S. RTE.	SECTION	COUNTY	TOTAL SHEETS	SHEET NO.
748	11-00027-03-RS	JERSEY	153	127
CONTRACT NO.: 97574				

124+50.00



124+00.00



FILE NAME = 164-308

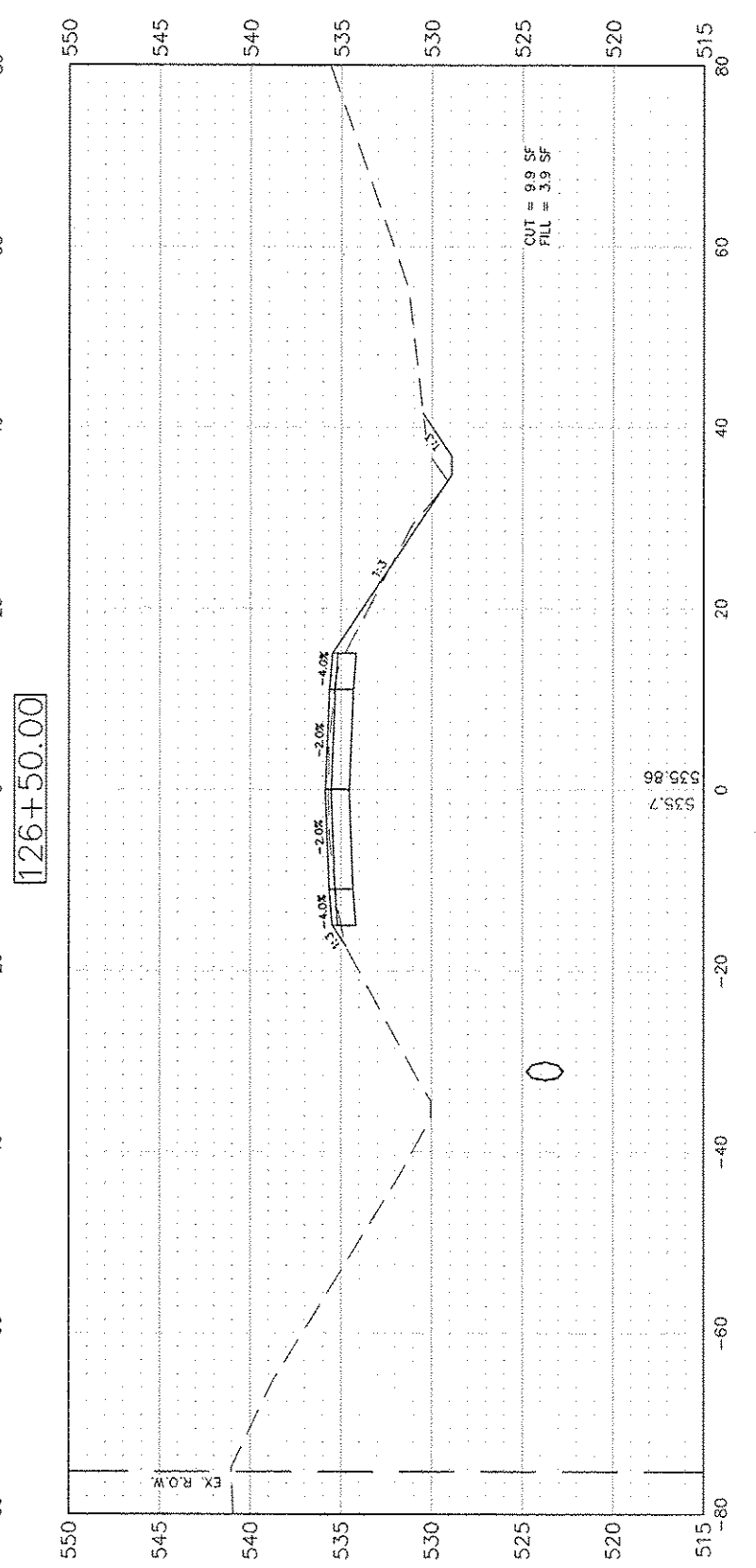
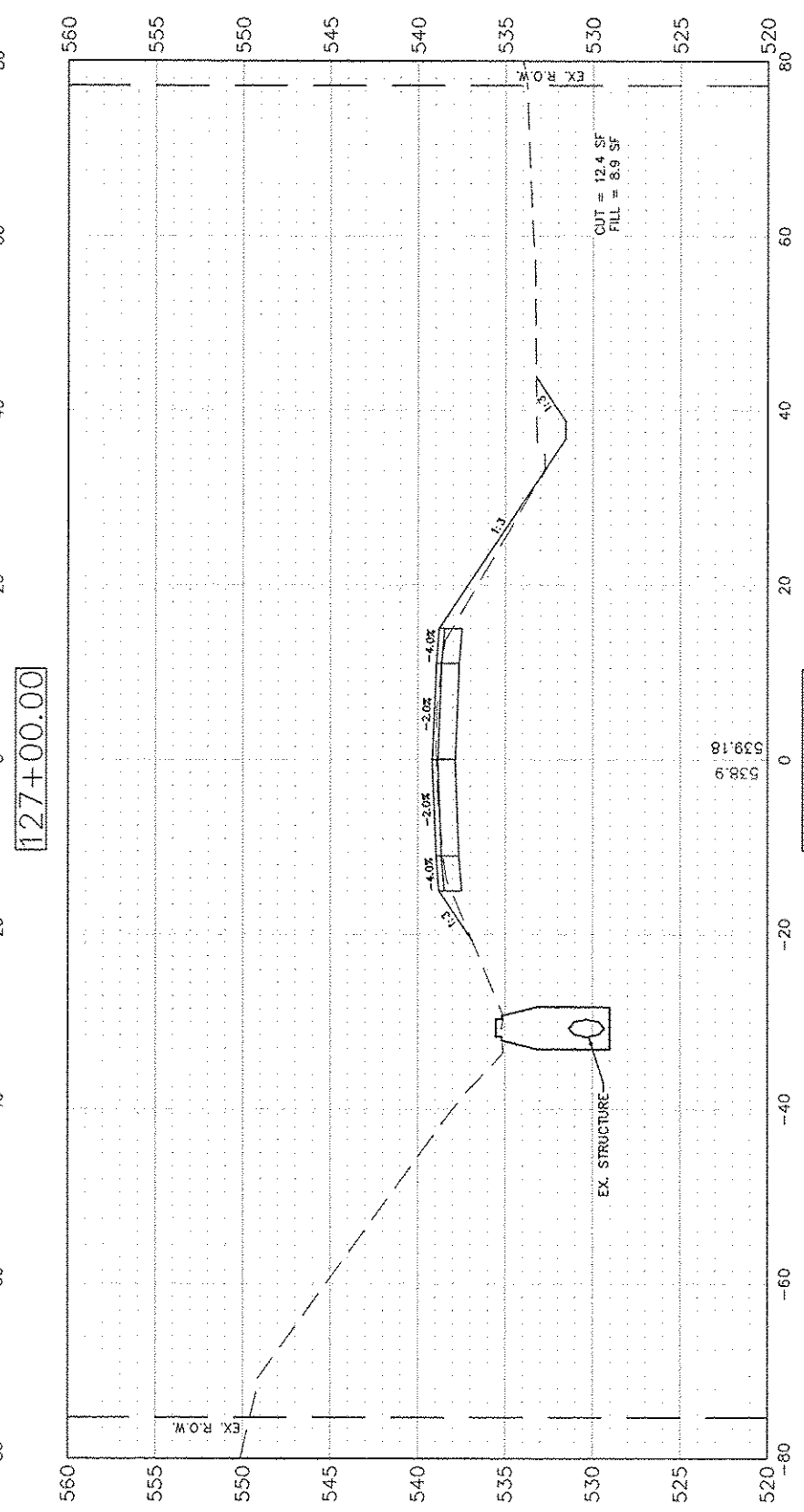
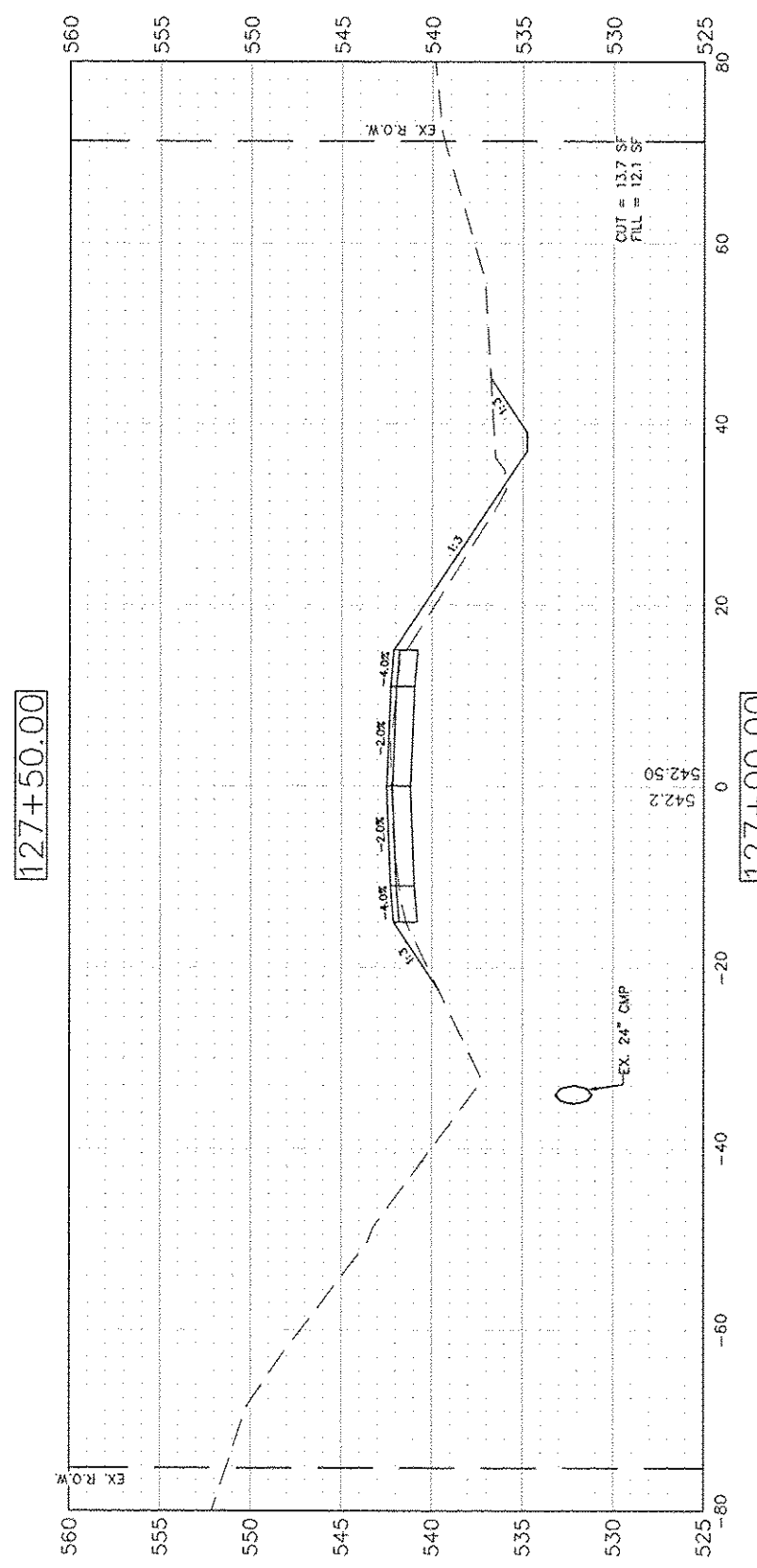
USER NAME = Hargon, Chris	DESIGNED = CAW	REVISED =
	DRAWN = CSH	REVISED =
PLOT SCALE = 1:2	CHECKED = JAL	REVISED =
PLOT DATE = 10/21/2014	DATE = 10/21/2014	REVISED =

STATE OF ILLINOIS
DEPARTMENT OF TRANSPORTATION

CROSS SECTION

SCALE: 1:10 SHEET NO. 129 OF 153 SHEETS STA. 124+00 TO STA. 124+50

F.A.U. RTE. 748	SECTION 11-00027-03-RS	COUNTY JERSEY	TOTAL SHEETS 153	SHEET NO. 129
CONTRACT NO.: 97574			ILLINOIS TFP NO. PROJECT	



FILE NAME = 164-308	USER NAME = Hargon, Chris	DESIGNED - CAW	REVISED -
		DRAWN - CSH	REVISED -
	PLOT SCALE = 1:2	CHECKED - JAL	REVISED -
	PLOT DATE = 10/21/2014	DATE - 10/21/2014	REVISED -

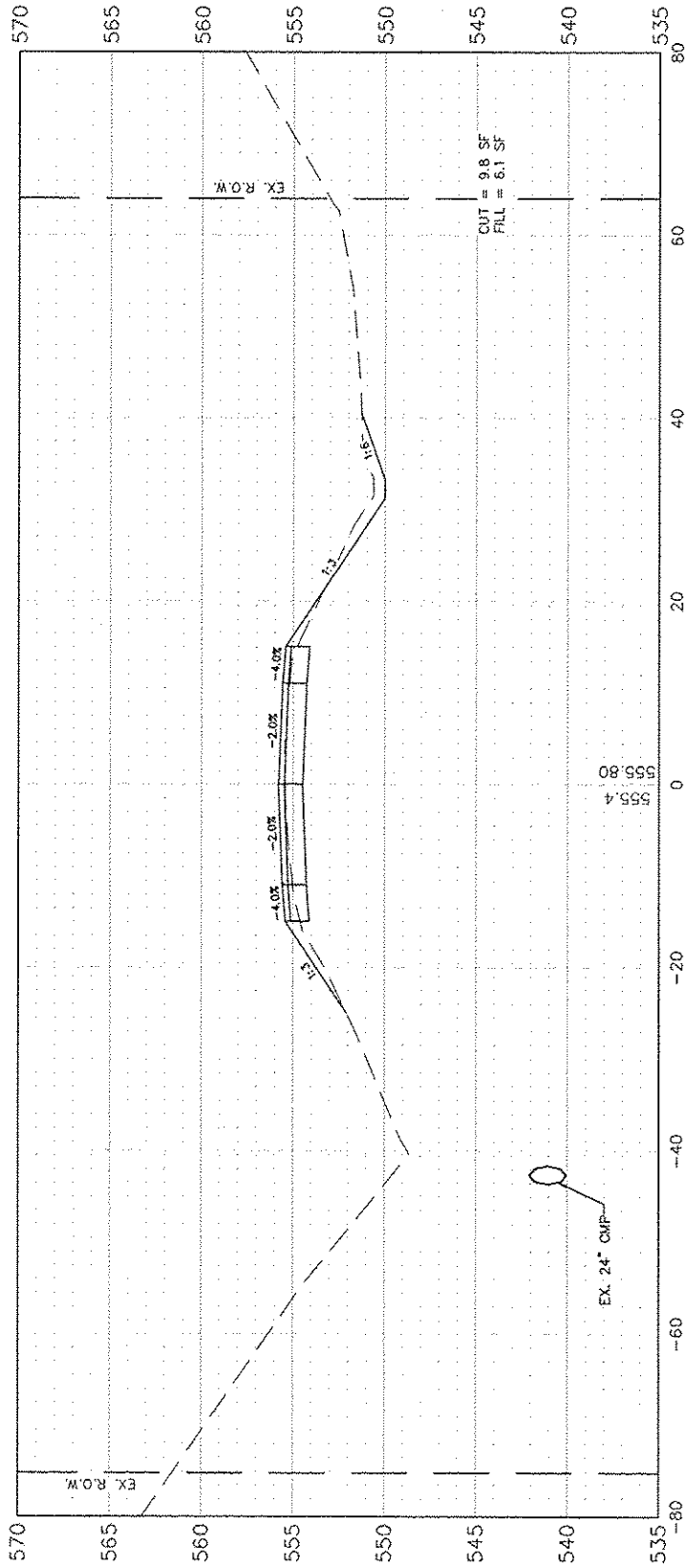
STATE OF ILLINOIS
DEPARTMENT OF TRANSPORTATION

CROSS SECTION

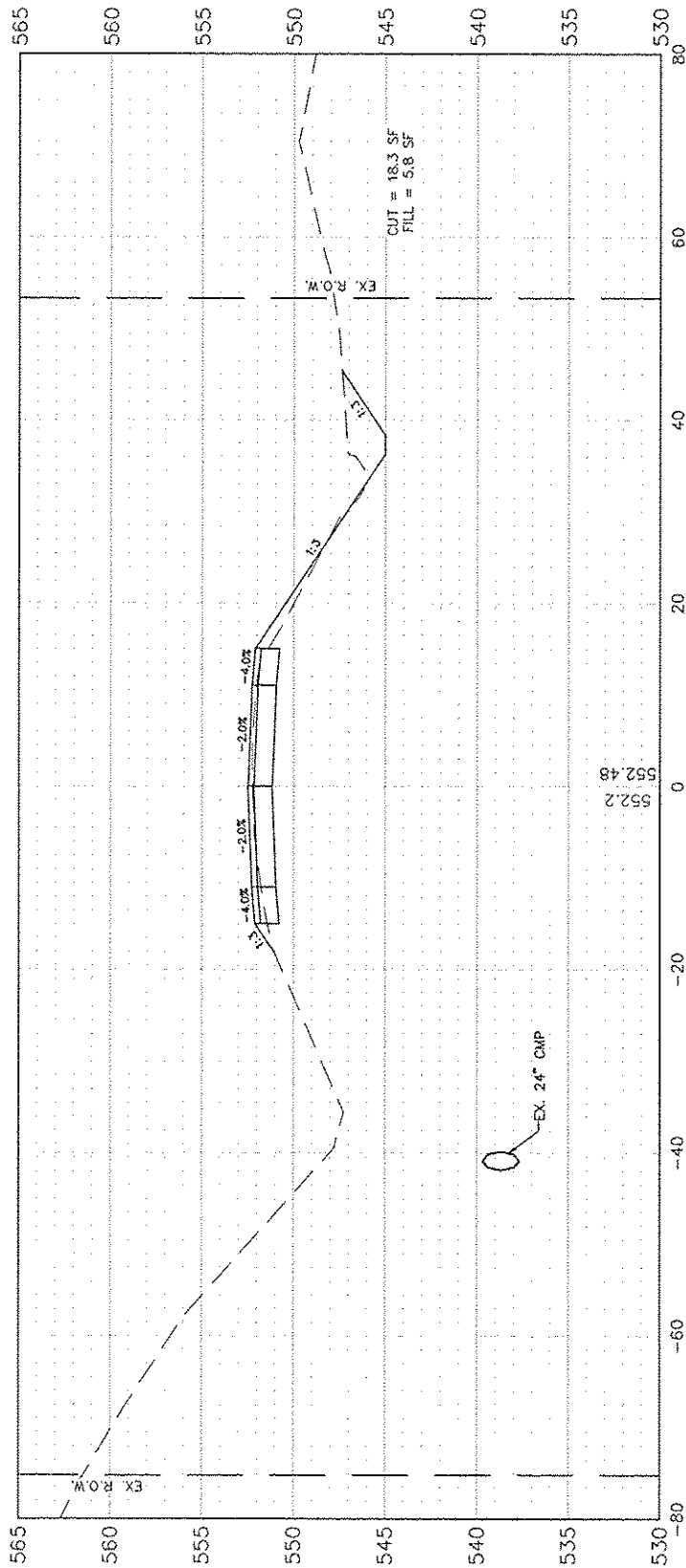
SCALE: 1:10 SHEET NO. 131 OF 153 SHEETS STA. 126+50 TO STA. 127+50

F.A.S. RTE	SECTION	COUNTY	TOTAL SHEETS	SHEET NO.
748	11-00027-03-RS	JERSEY	153	131
CONTRACT NO.: 97574			ILLINOIS TRUCK AID PROJECT	

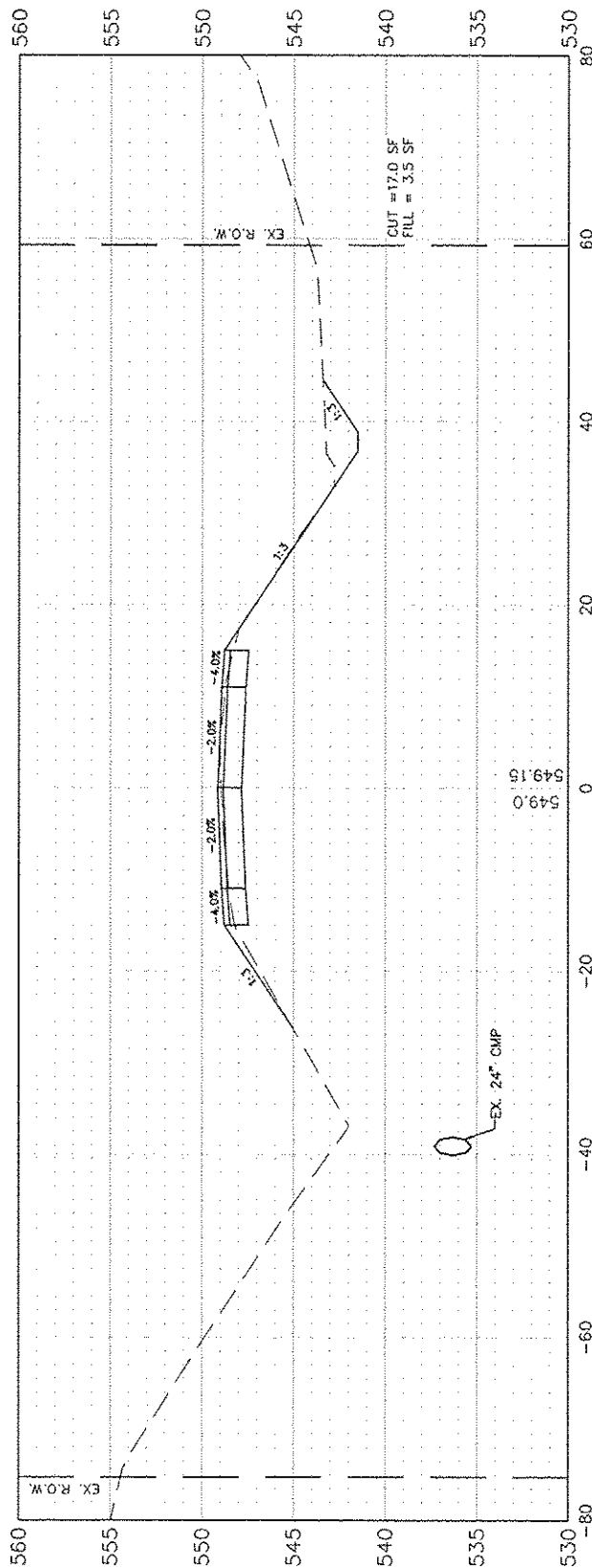
129+50.00



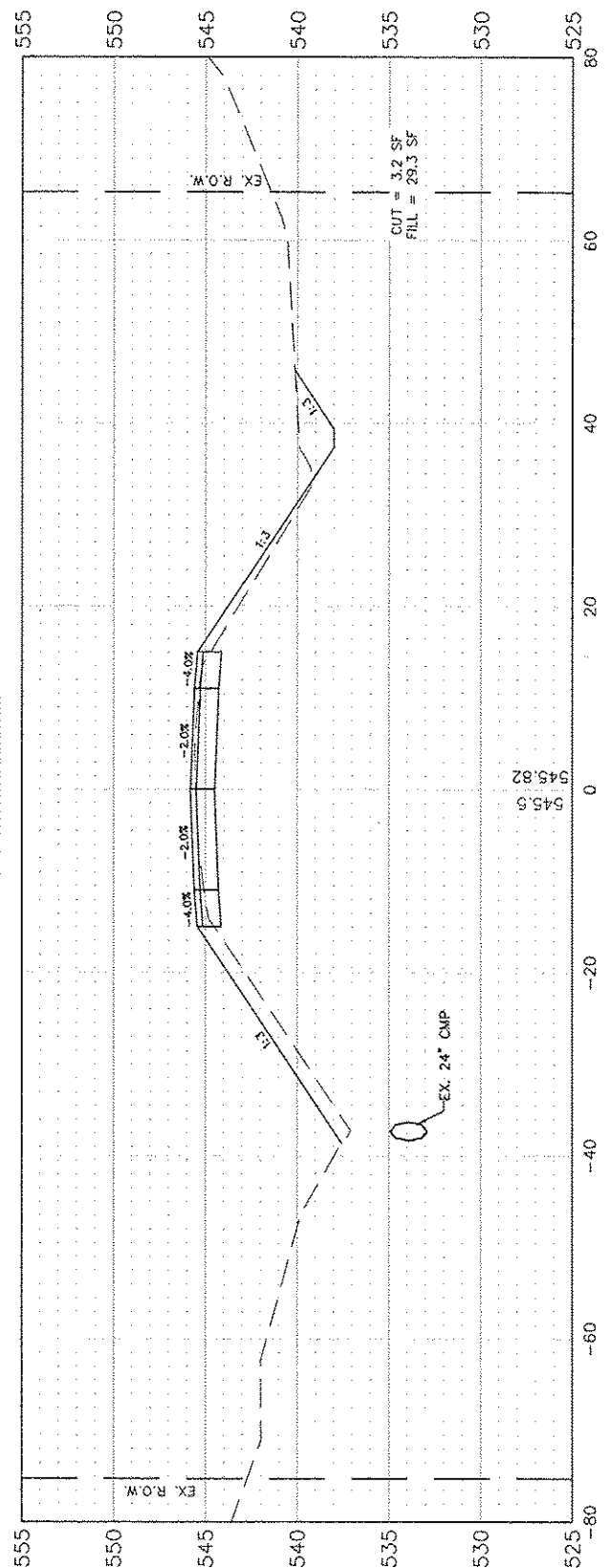
129+00.00



128+50.00



128+00.00



FILE NAME = 164-308

USER NAME = Horgan, Chris
 DESIGNED = CAW
 DRAWN = CSH
 CHECKED = JAL
 DATE = 10/21/2014

REVISIONS:
 REVISION NO. 1
 REVISION NO. 2
 REVISION NO. 3

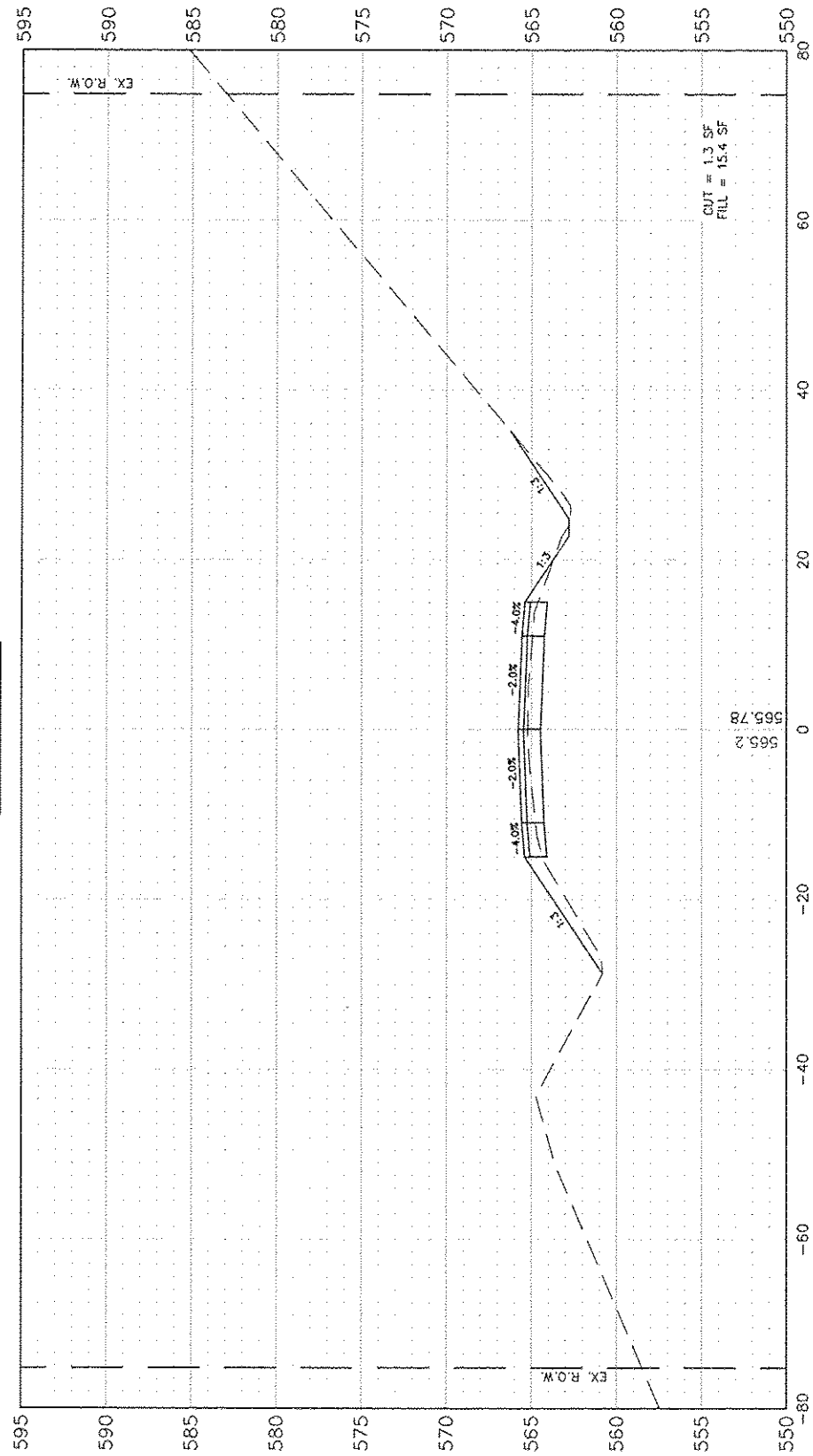
STATE OF ILLINOIS
 DEPARTMENT OF TRANSPORTATION

CROSS SECTION

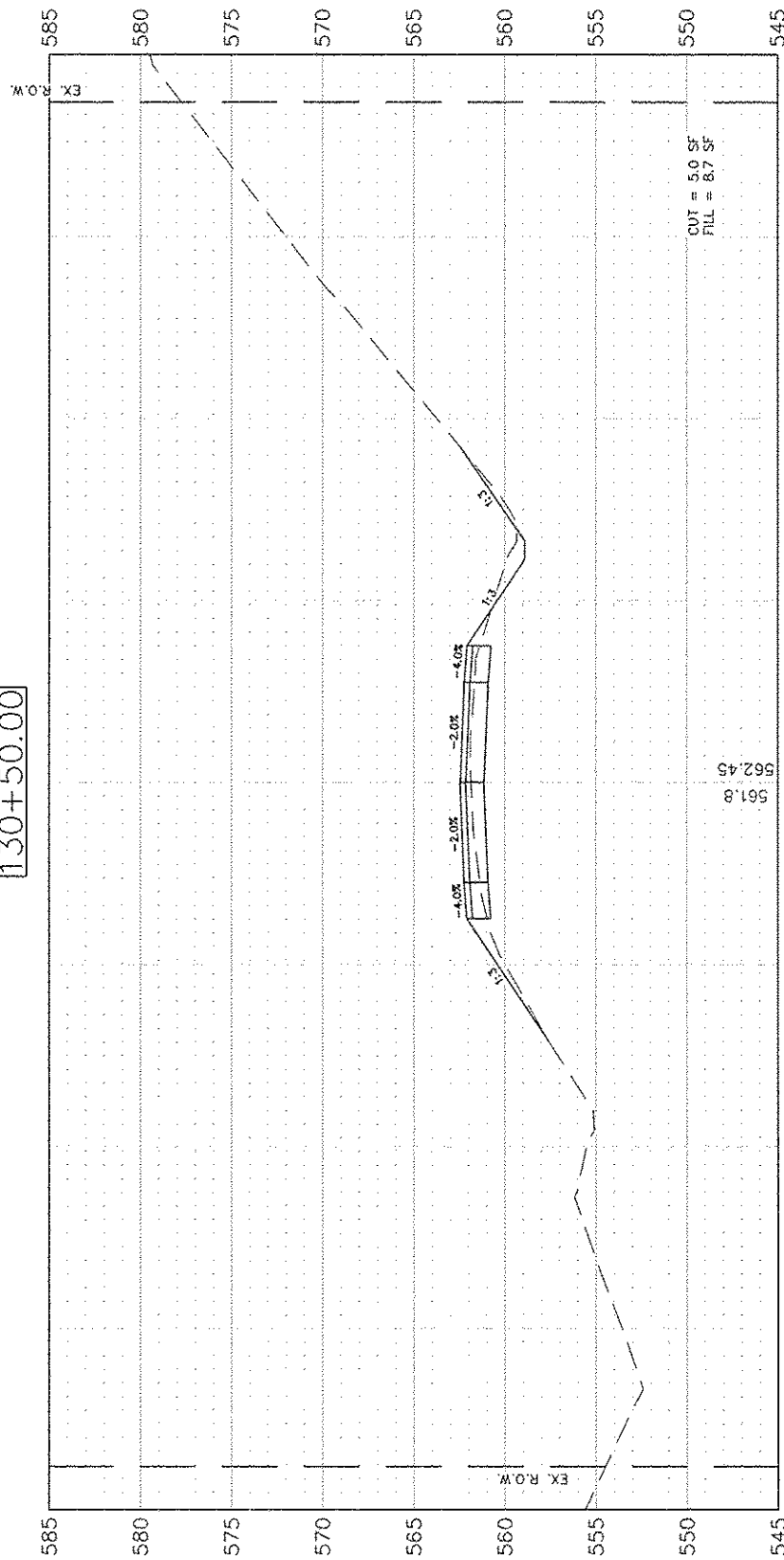
SCALE: 1:10 | SHEET NO. 132 OF 153 SHEETS | STA. 128+00 TO STA. 129+50

F.A.S. RTE.	SECTION	COUNTY	TOTAL SHEETS	SHEET NO.
748	11-00027-03-RS	JERSEY	153	132
CONTRACT NO.: 97574				

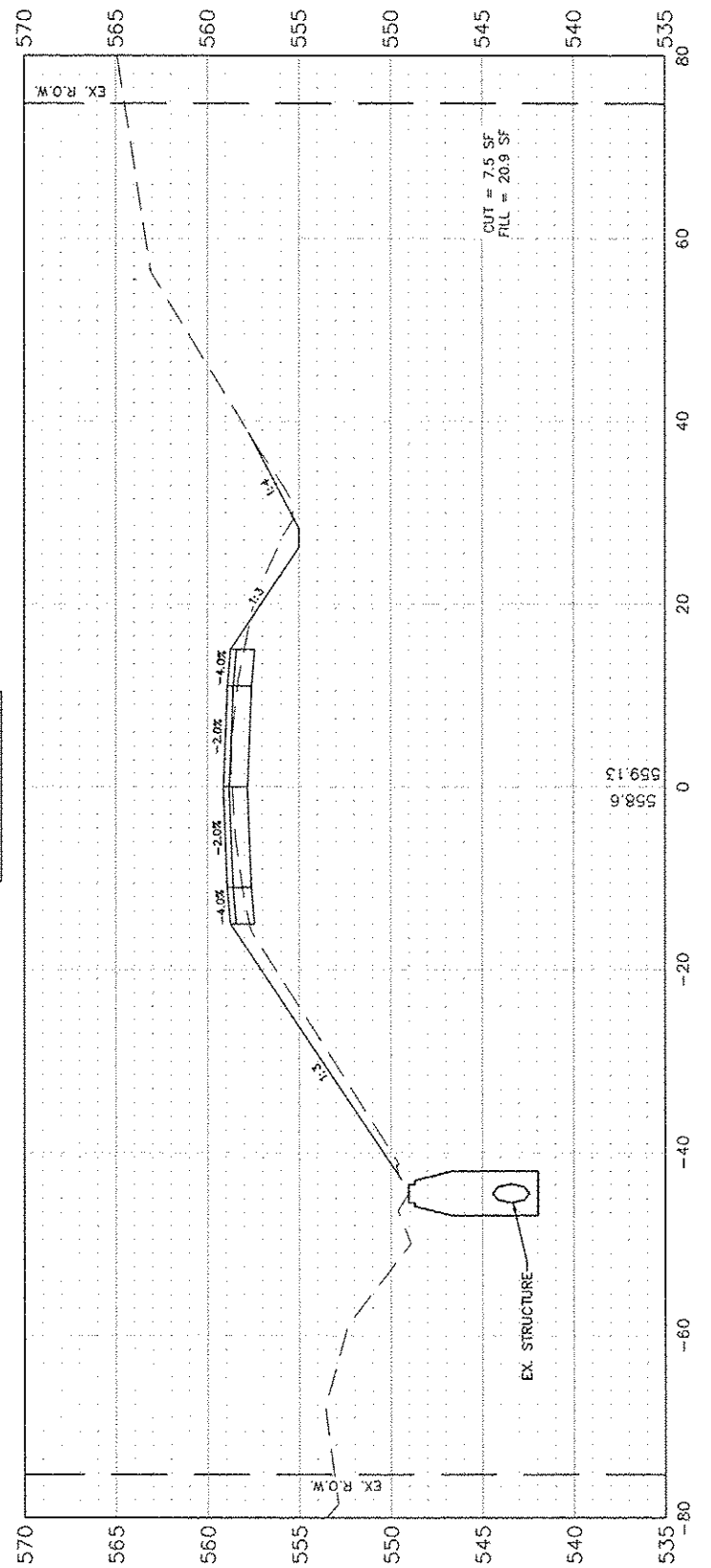
131+00.00



130+50.00



130+00.00



FILE NAME = 164-308	USER NAME = Hargon, Chris	DESIGNED = CAW	REVISED =
	PLOT SCALE = 1:2	CHECKED = JAL	REVISED =
	PLOT DATE = 10/21/2014	DATE = 10/21/2014	REVISED =

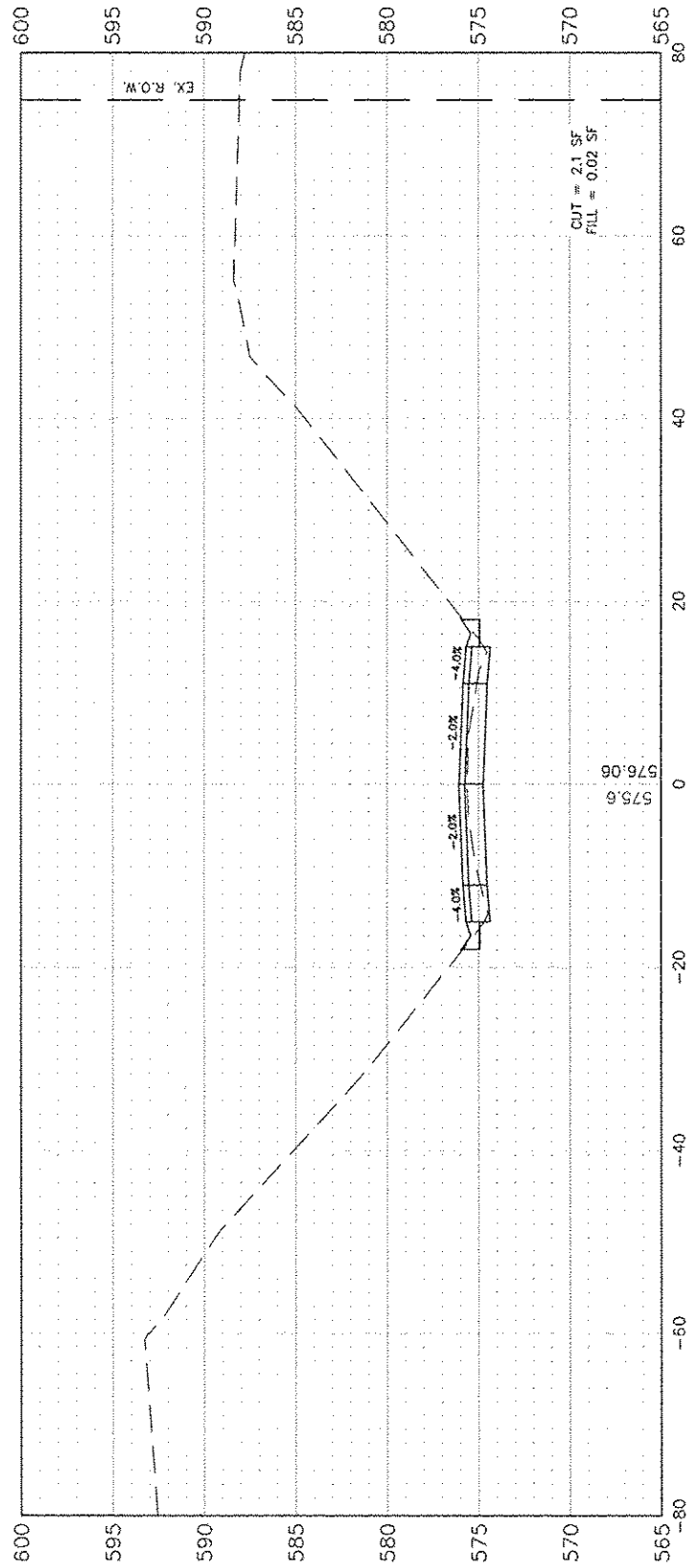
STATE OF ILLINOIS
DEPARTMENT OF TRANSPORTATION

CROSS SECTION

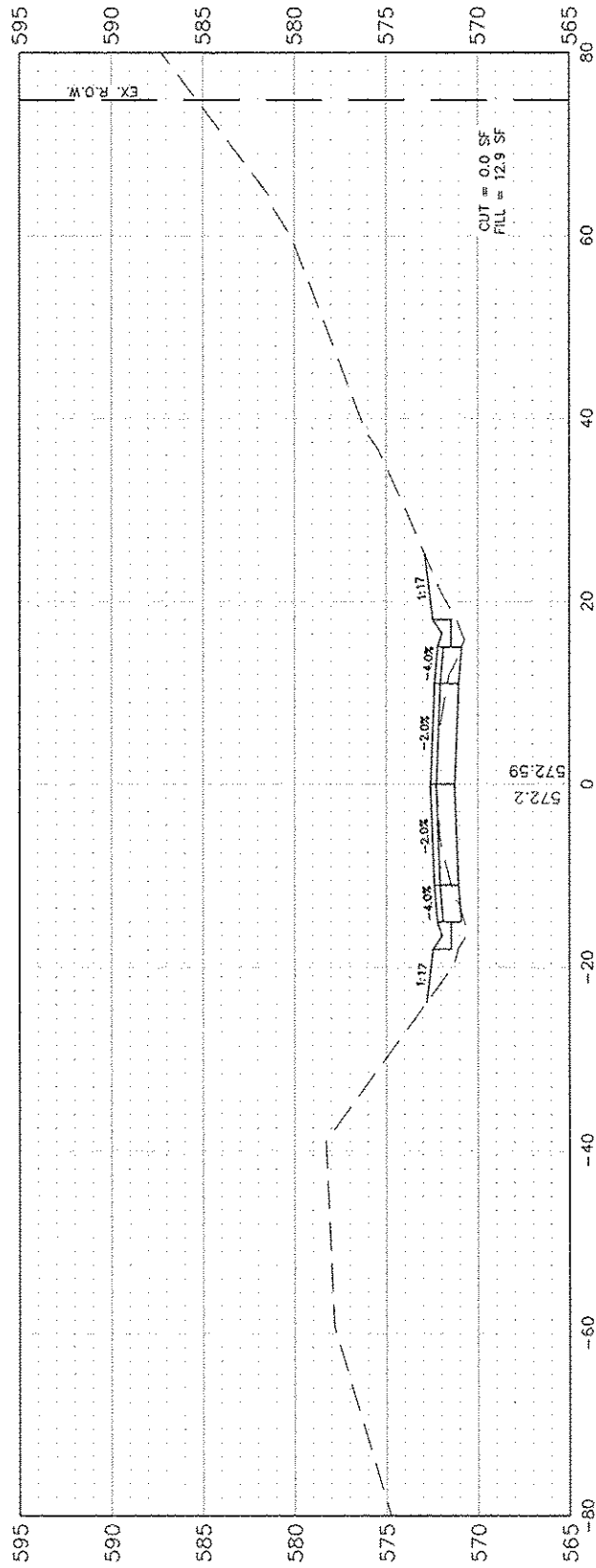
SCALE: 1:10 SHEET NO. 133 OF 153 SHEETS STA. 130+00 TO STA. 131+00

F.A.S. RTE.	SECTION	COUNTY	TOTAL SHEETS	SHEET NO.
748	11-00027-03-RS	JERSEY	153	133
CONTRACT NO.: 97574				
FED. ROAD DIST. NO. R. I. ILLINOIS FED. AID PROJECT				

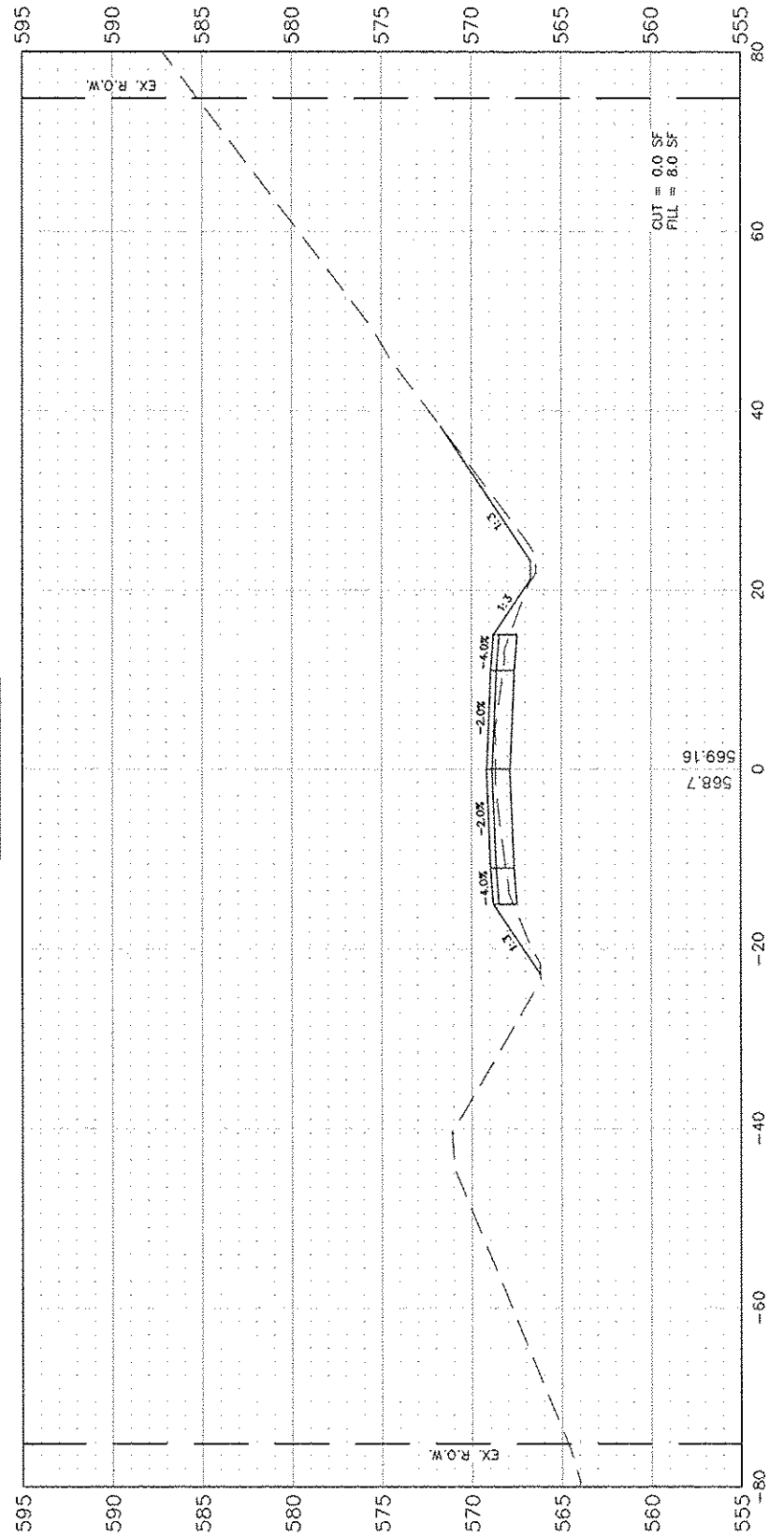
132+50.00



132+00.00



131+50.00



FILE NAME = 164-308

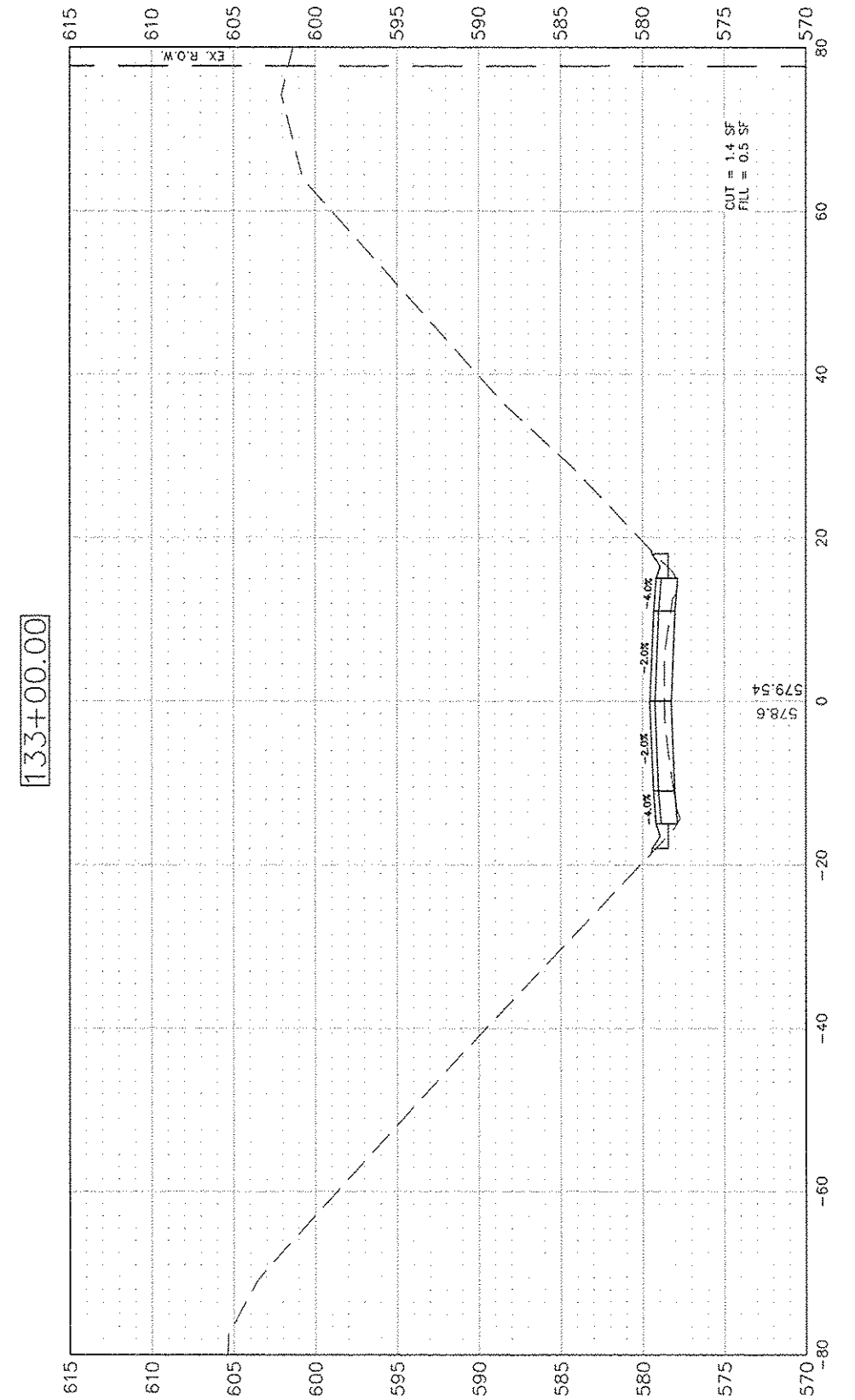
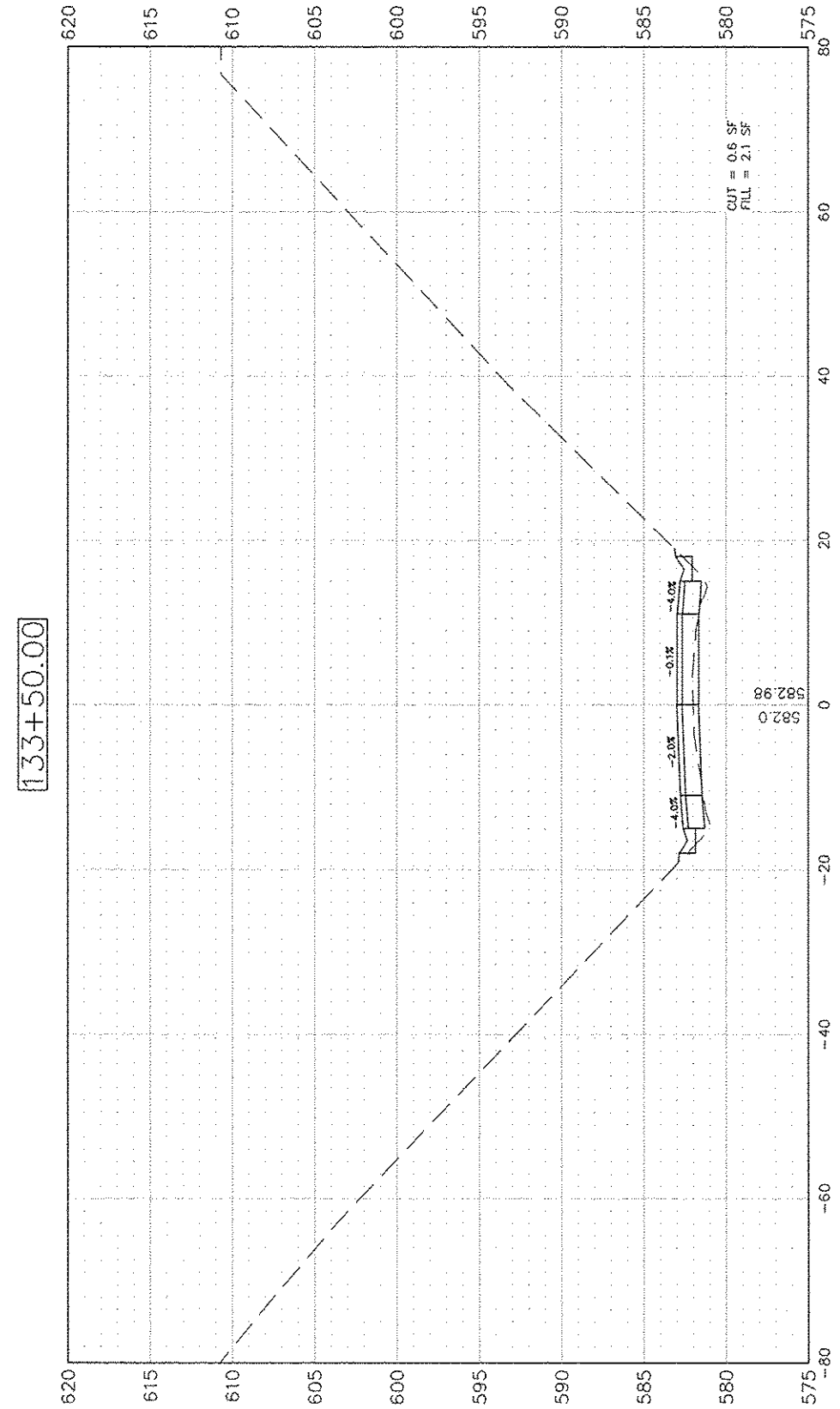
USER NAME = Horgan, Chris	DESIGNED - CAW	REVISED -
	DRAWN - CSH	REVISED -
PLOT SCALE = 1:2	CHECKED - JAL	REVISED -
PLOT DATE = 10/21/2014	DATE - 10/21/2014	REVISED -

STATE OF ILLINOIS
DEPARTMENT OF TRANSPORTATION

CROSS SECTION

SCALE: 1:10 SHEET NO. 134 OF 153 SHEETS STA. 131+50 TO STA. 132+50

F.A.S. RTE. 748	SECTION 11-00027-03-R5	COUNTY JERSEY	TOTAL SHEETS 153	SHEET NO. 134
CONTRACT NO.: 97574				



FILE NAME =
164-308

USER NAME = Horgan, Chris	DESIGNED - CAW	REVISED -
	DRAWN - CSH	REVISED -
PLOT SCALE = 1:2	CHECKED - JAL	REVISED -
PLOT DATE = 10/21/2014	DATE - 10/21/2014	REVISED -

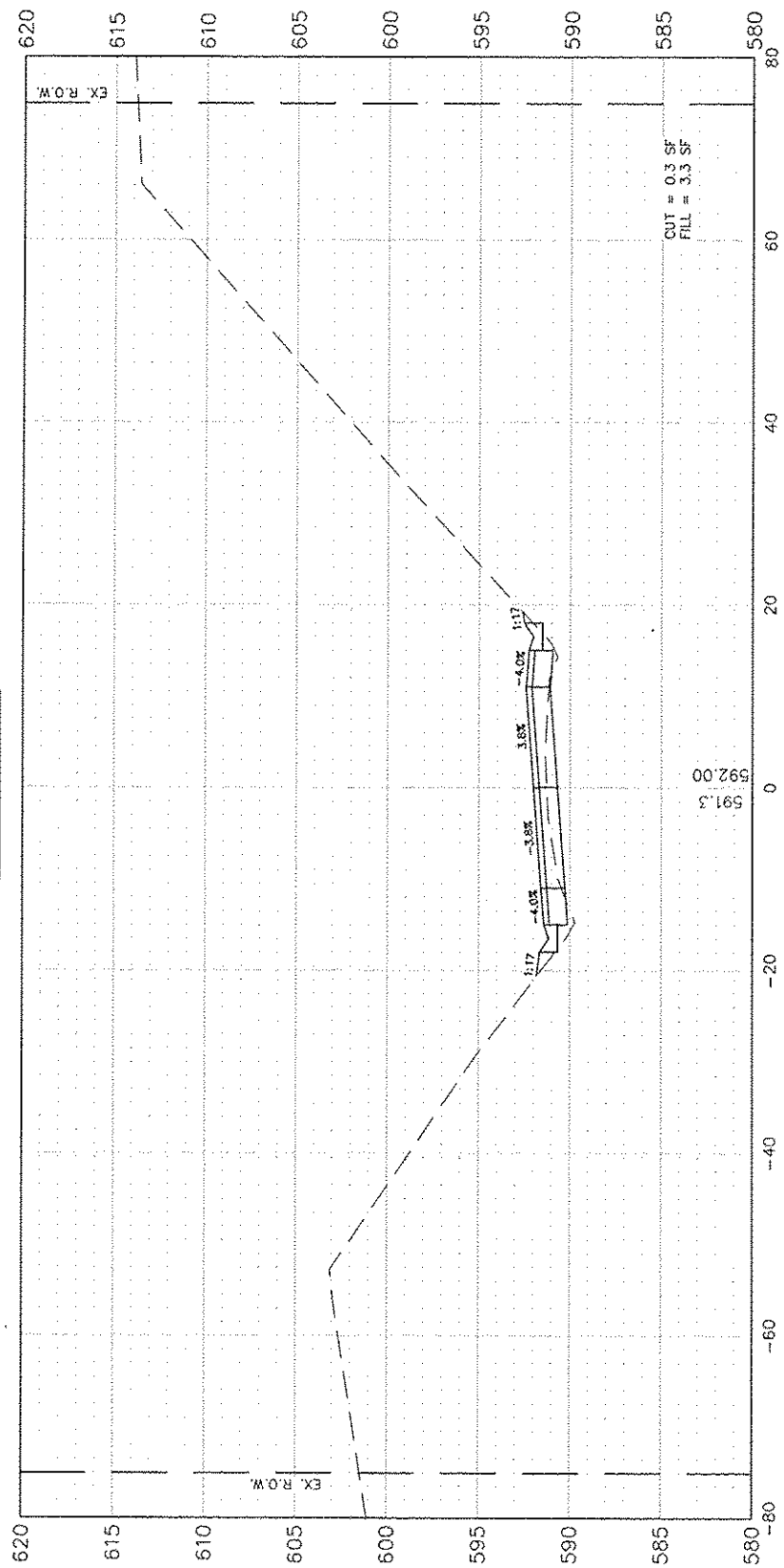
STATE OF ILLINOIS
DEPARTMENT OF TRANSPORTATION

CROSS SECTION

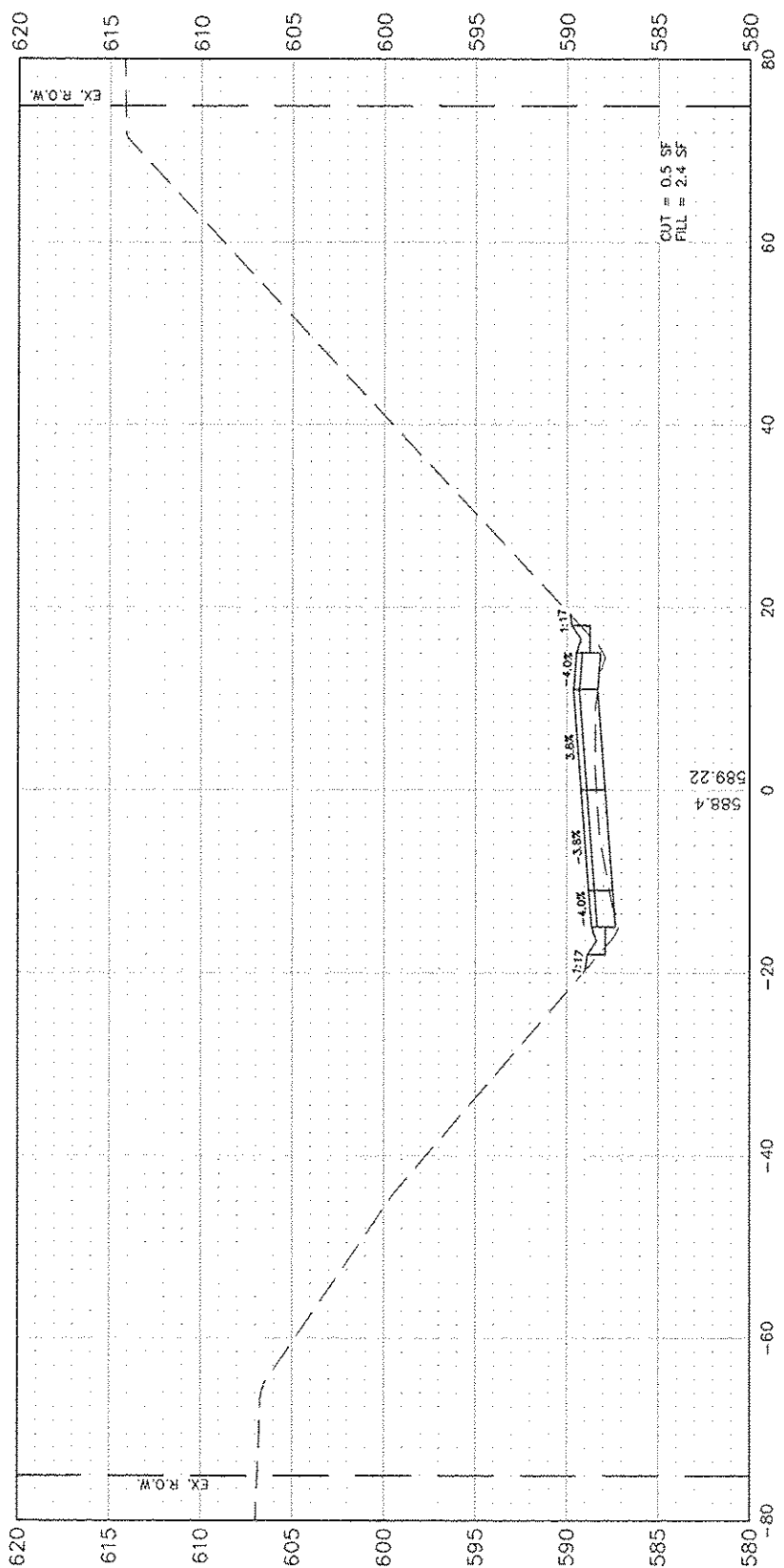
SCALE: 1:10 SHEET NO. 135 OF 153 SHEETS STA. 133+00 TO STA. 133+50

F.A.S. RTE.	SECTION	COUNTY	TOTAL SHEETS	SHEET NO.
748	11-00027-03-RS	JERSEY	153	135
CONTRACT NO.: 97574			ILLINOIS TRV. AND PROJECT	

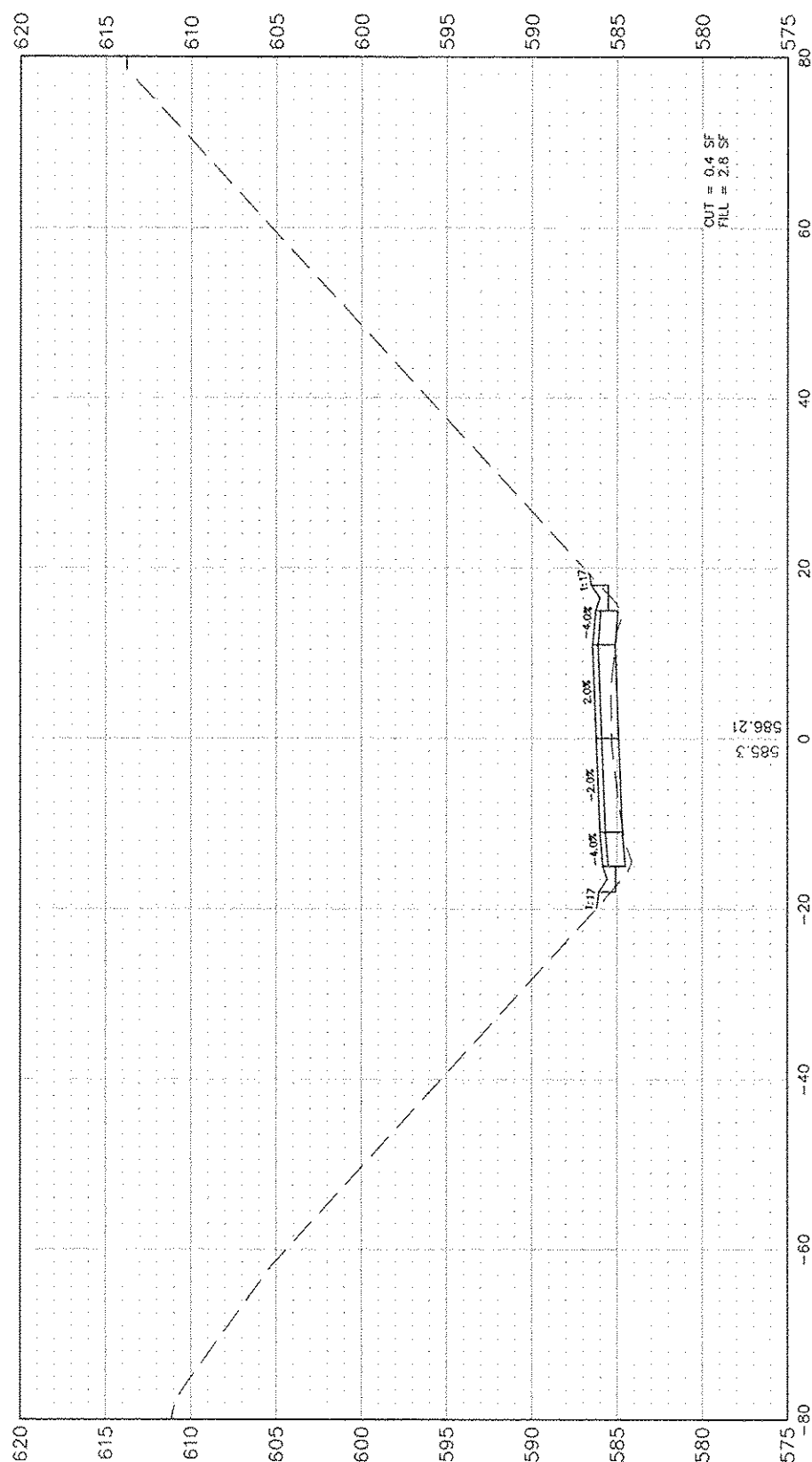
135+00.00



134+50.00



134+00.00



FILE NAME =
164-308

USER NAME = Hargon, Chris
DESIGNED - CAW
DRAWN - CSH
PLOT SCALE = 1:2
CHECKED - JAL
PLOT DATE = 10/21/2014
DATE - 10/21/2014

REVISED -
REVISED -
REVISED -
REVISED -

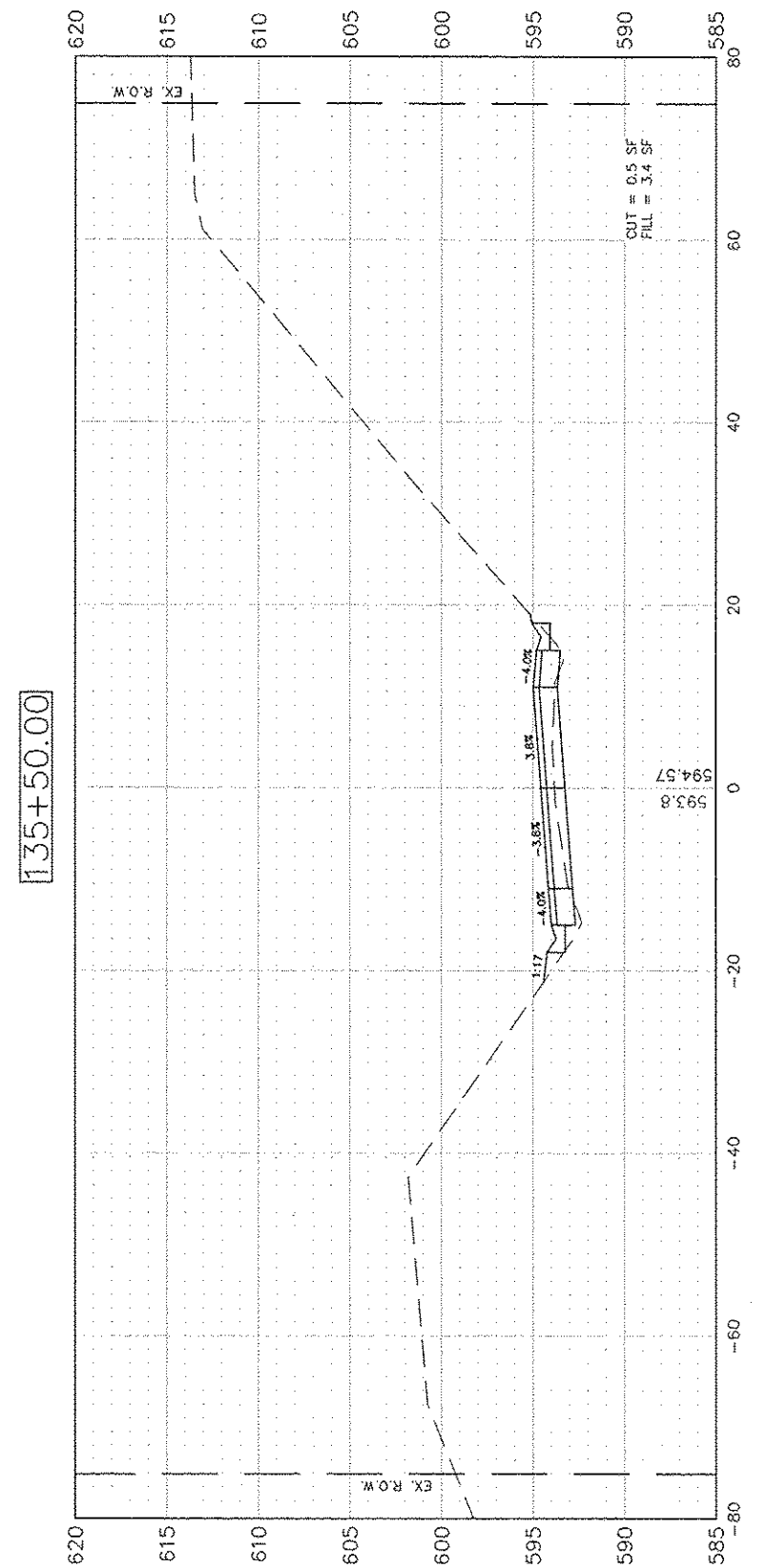
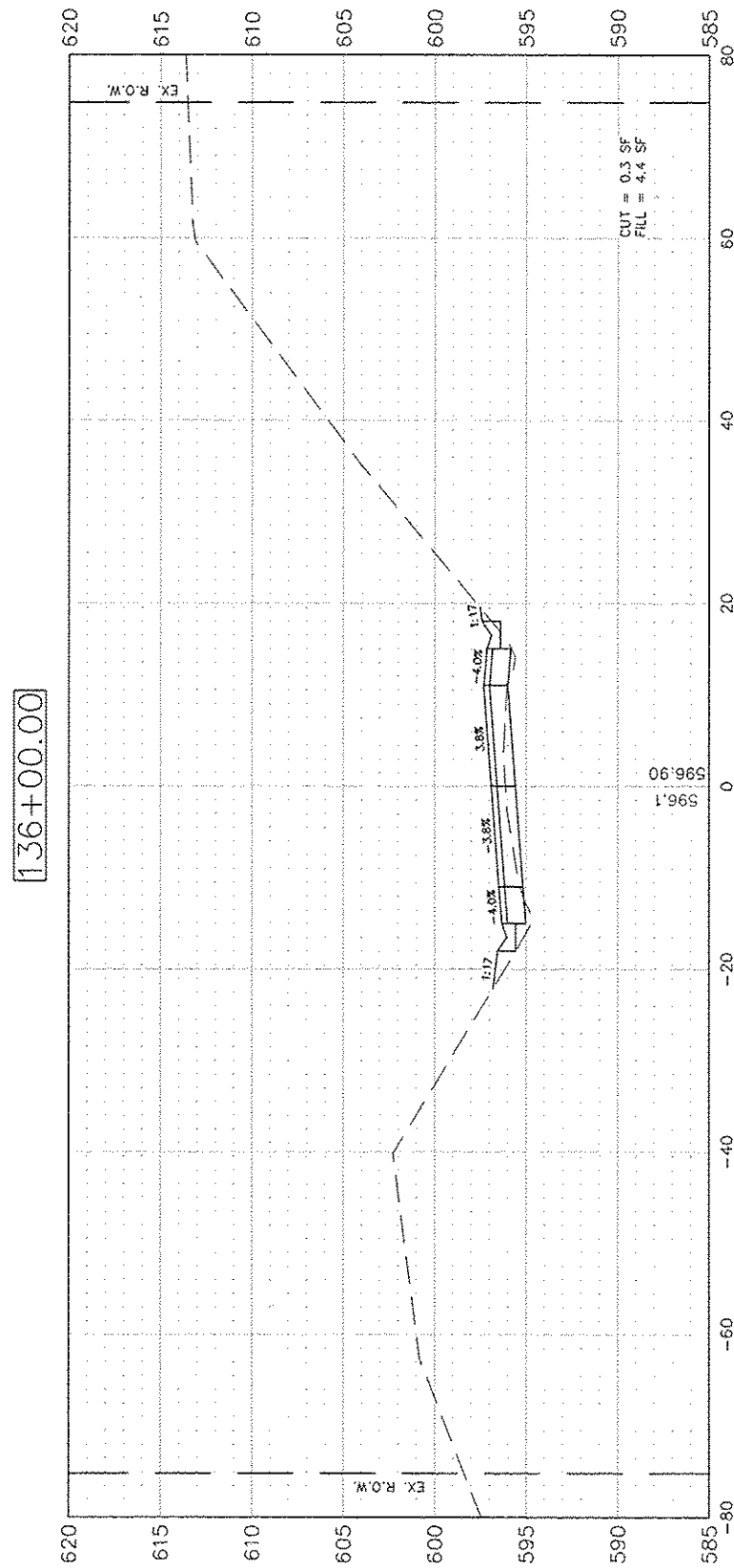
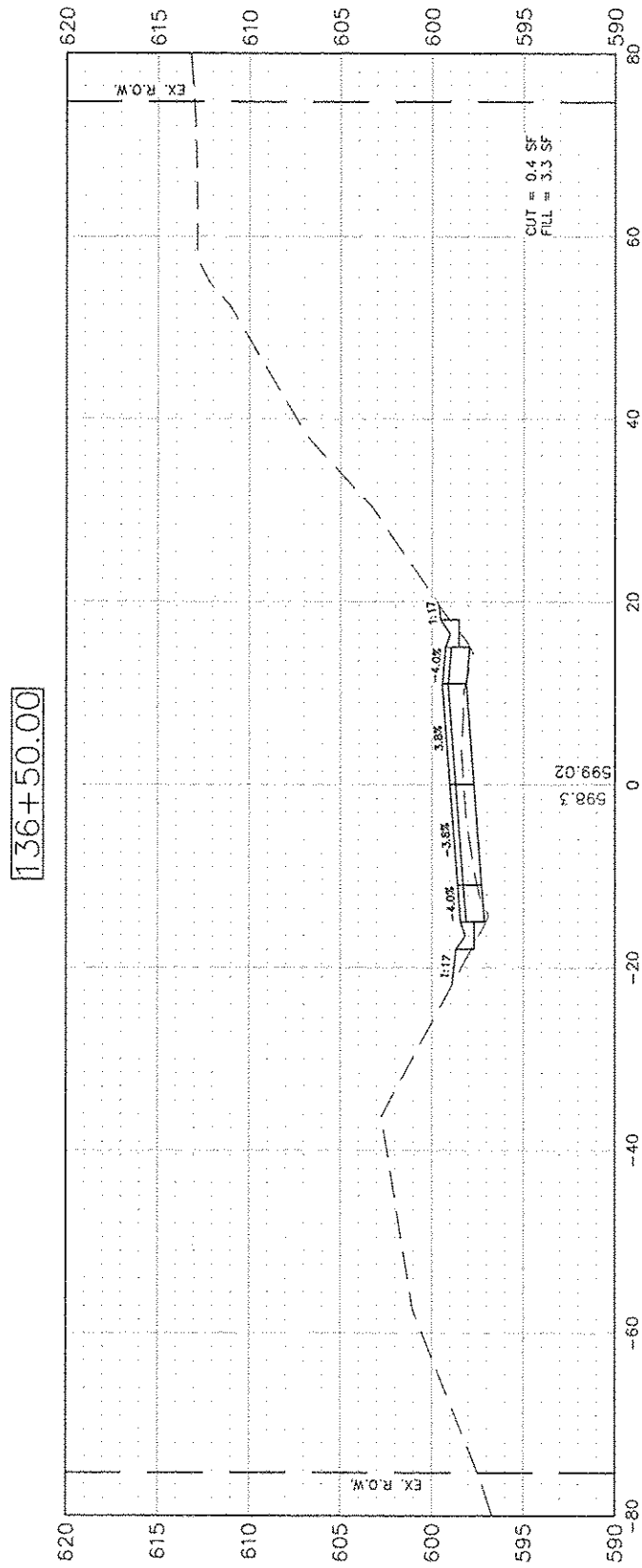
STATE OF ILLINOIS
DEPARTMENT OF TRANSPORTATION

CROSS SECTION

SCALE: 1:10 | SHEET NO. 136 OF 153 SHEETS | STA. 134+00 TO STA. 135+00

F.A.S. RTE.	SECTION	COUNTY	TOTAL SHEETS	SHEET NO.
748	11-00027-03-RS	JERSEY	153	136
CONTRACT NO.: 97574				

ILL. ROAD DIST. NO. 8 | ILLINOIS | FED. RD. PROJECT



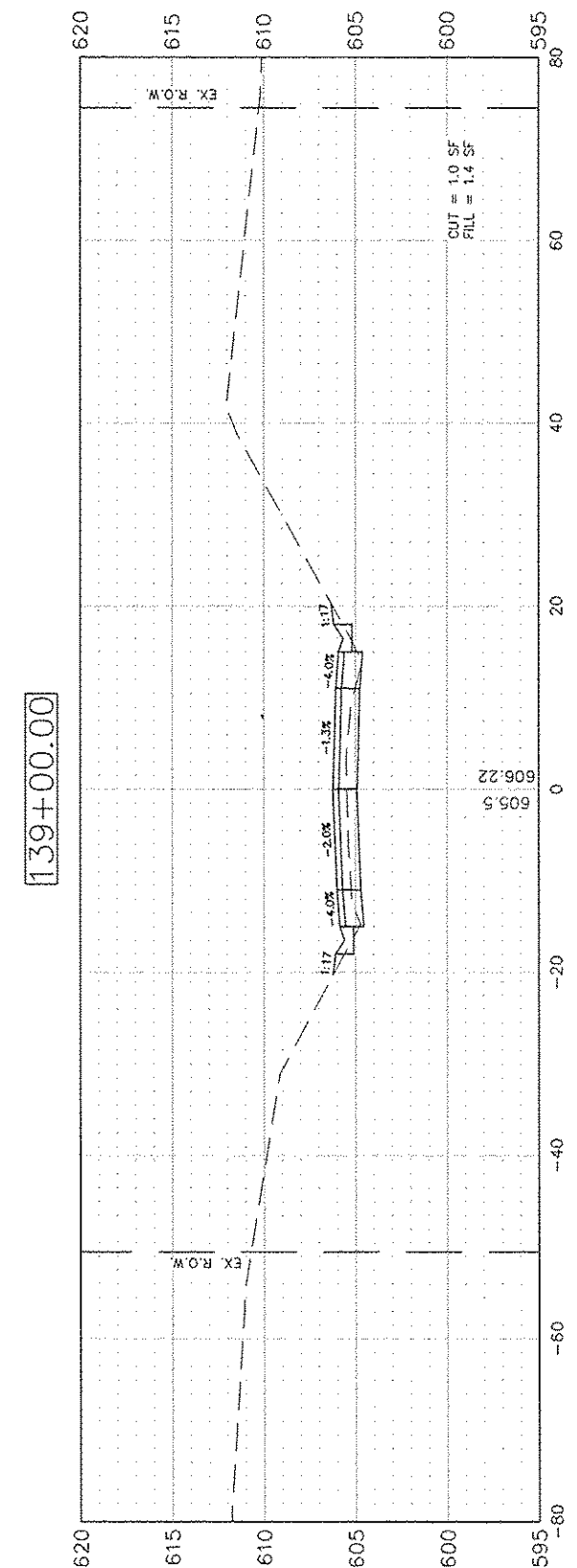
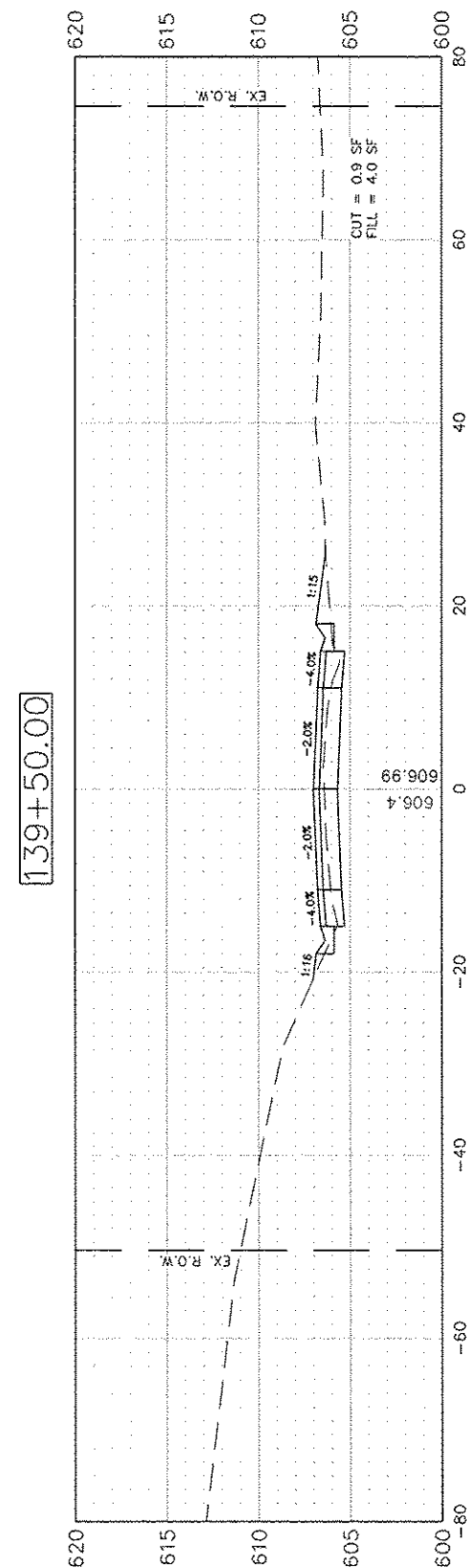
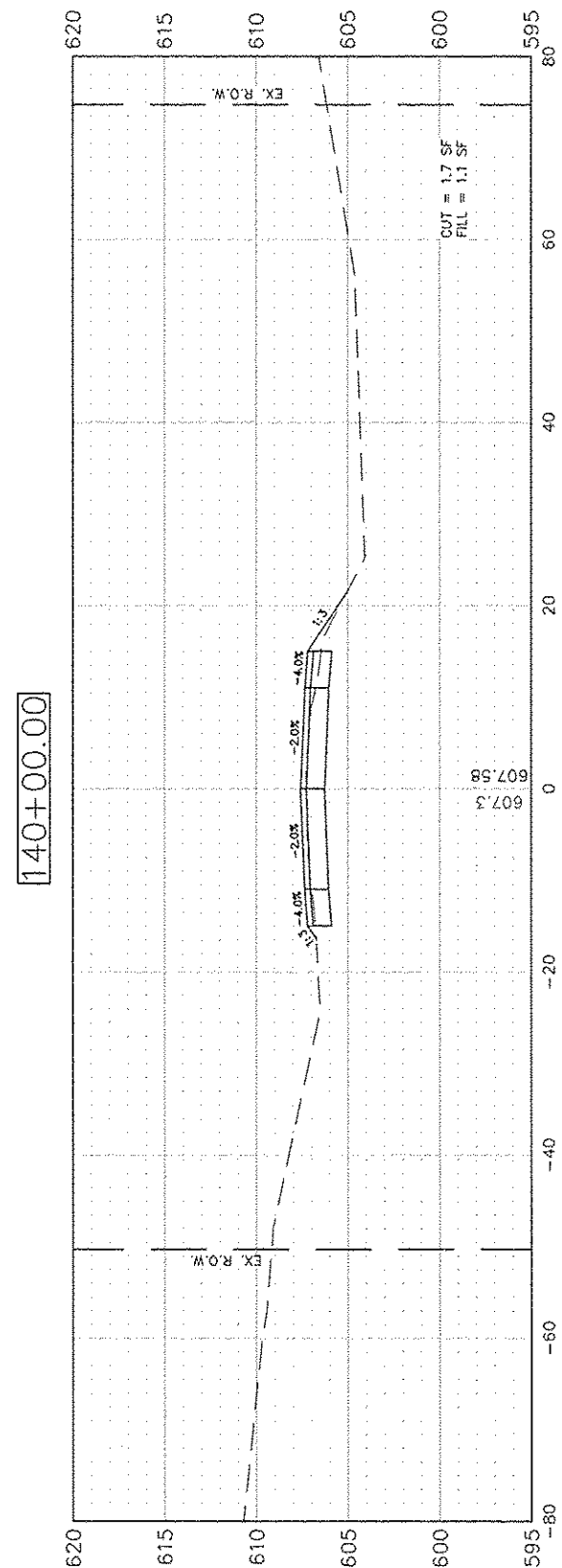
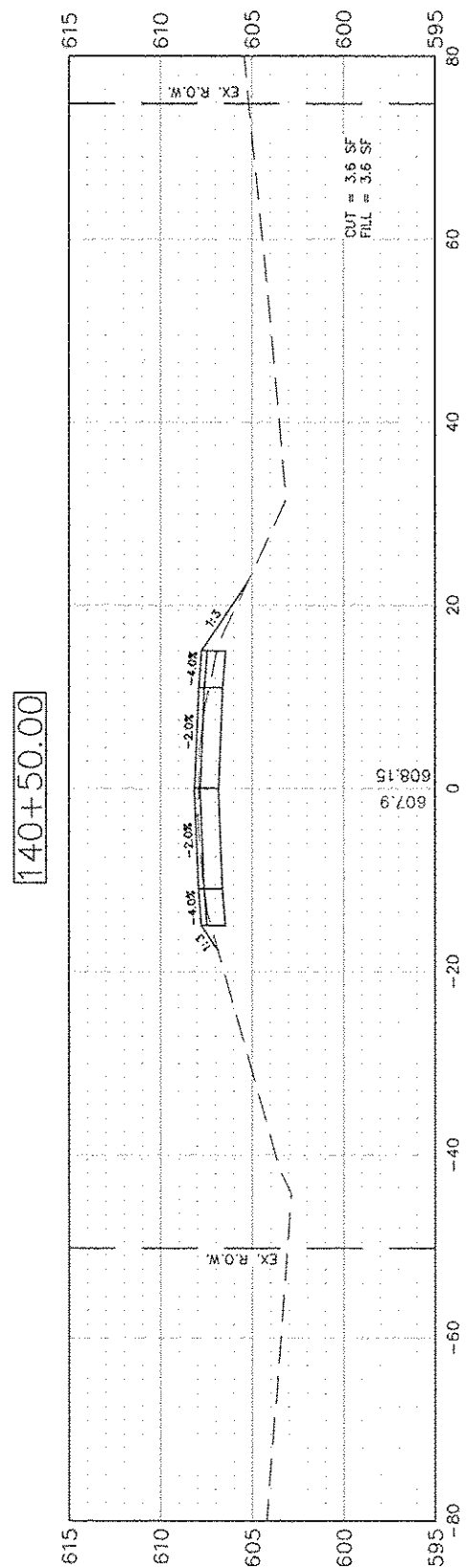
FILE NAME = 164-308	USER NAME = Horgan, Chris	DESIGNED = CAW	REVISED = -
		DRAWN = CSH	REVISED = -
	PLOT SCALE = 1:2	CHECKED = JAL	REVISED = -
	PLOT DATE = 10/21/2014	DATE = 10/21/2014	REVISED = -

STATE OF ILLINOIS
DEPARTMENT OF TRANSPORTATION

CROSS SECTION

SCALE: 1:10 SHEET NO. 137 OF 153 SHEETS STA. 135+50 TO STA. 136+50

F.A.S. RTE.	SECTION	COUNTY	TOTAL SHEETS	SHEET NO.
748	11-00027-03-RS	JERSEY	153	137
CONTRACT NO.: 97574				



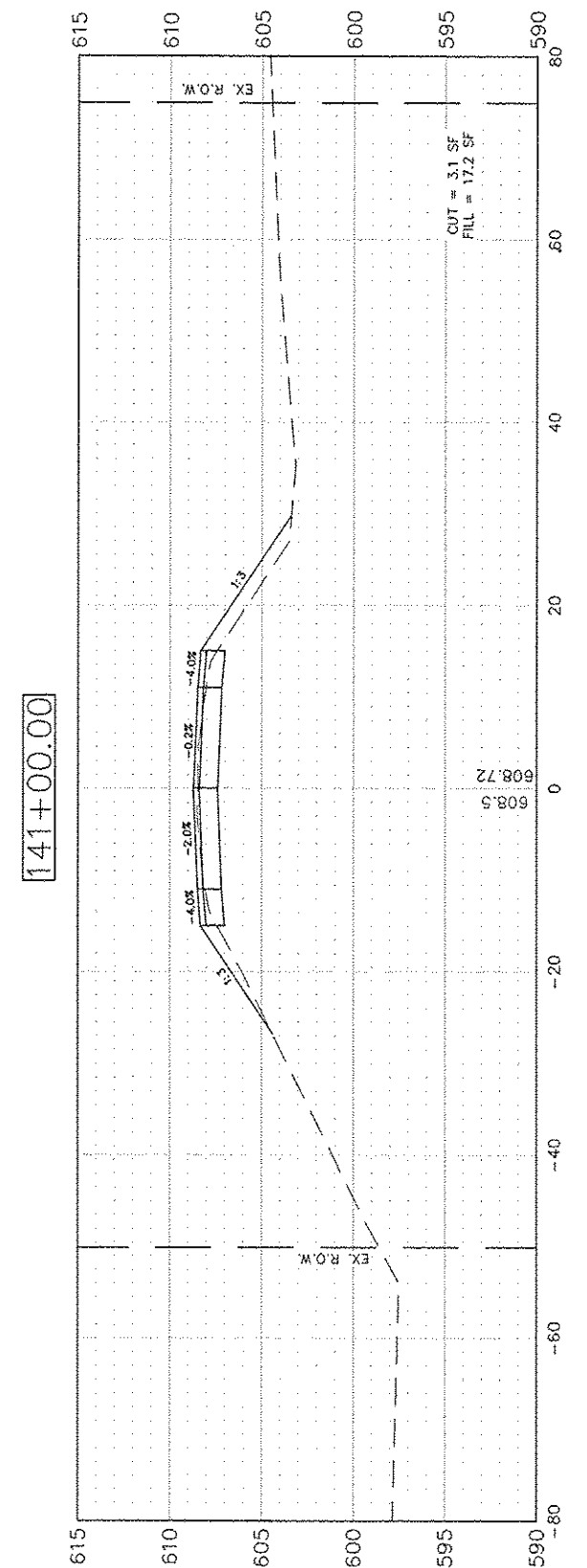
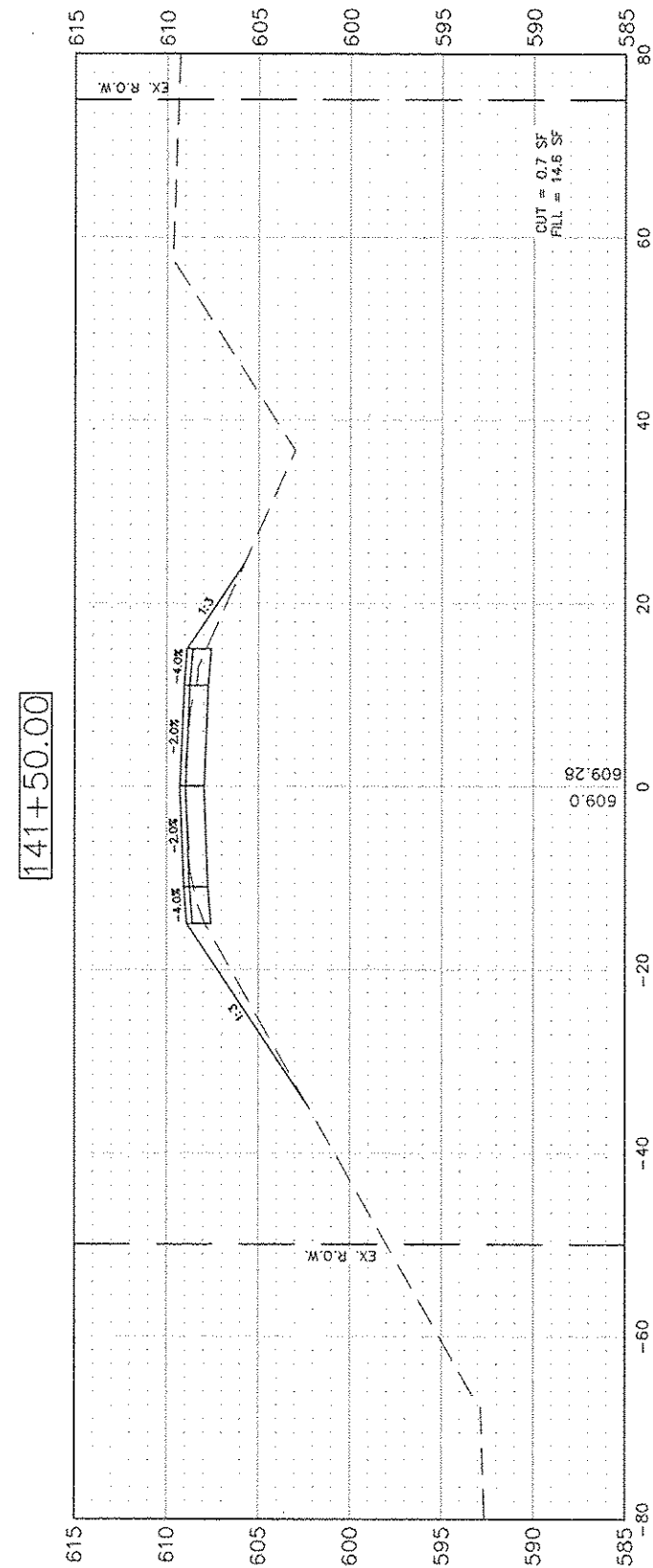
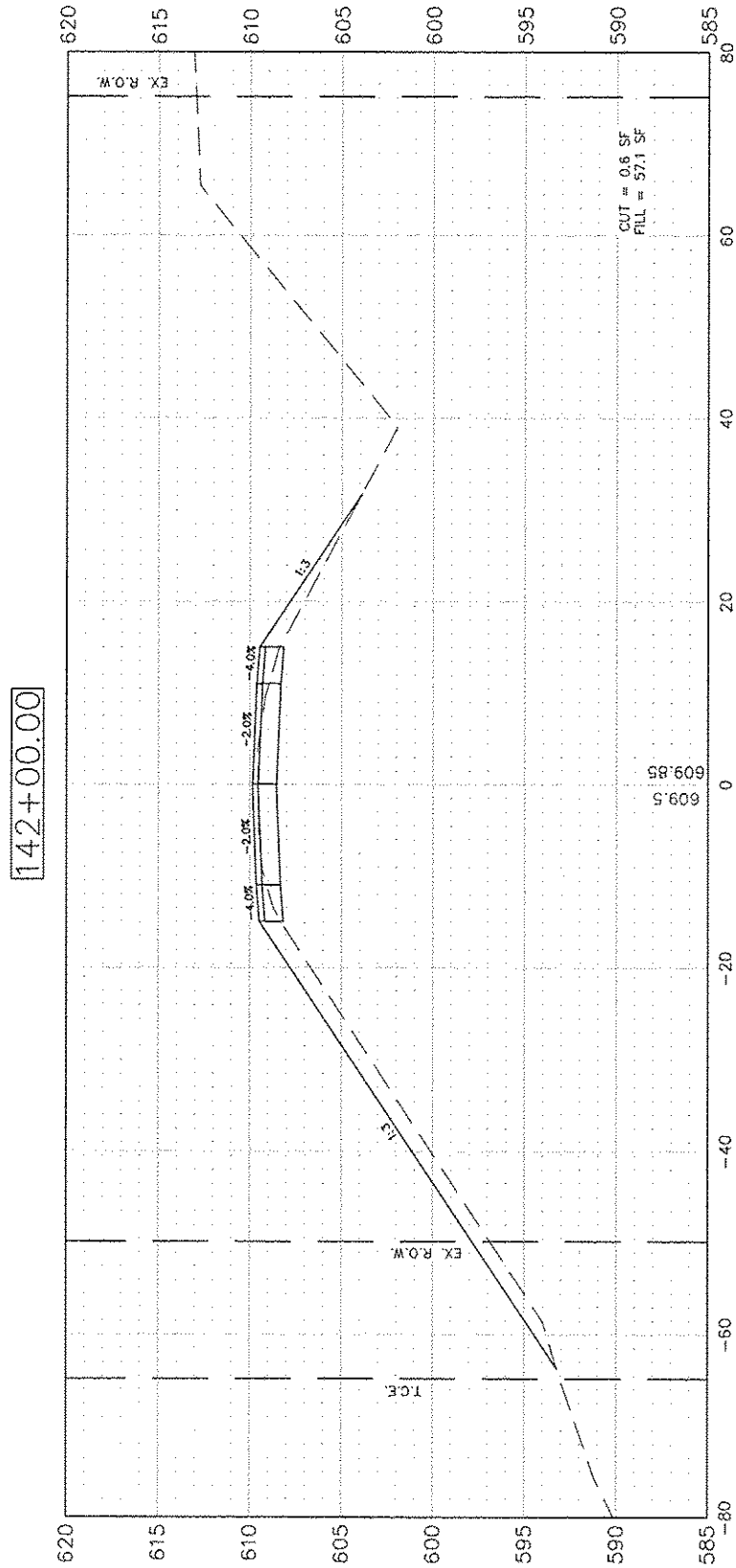
FILE NAME = 164-308	USER NAME = Horgan, Chris	DESIGNED - CAW	REVISED -
	PLOT SCALE = 1:2	DRAWN - CSH	REVISED -
	PLOT DATE = 10/21/2014	CHECKED - JAL	REVISED -
		DATE - 10/21/2014	REVISED -

**STATE OF ILLINOIS
DEPARTMENT OF TRANSPORTATION**

CROSS SECTION

SCALE: 1:10 SHEET NO. 139 OF 153 SHEETS STA. 139+00 TO STA. 140+50

F.A.S. RTE.	SECTION	COUNTY	TOTAL SHEETS	SHEET NO.
748	11-00027-03-RS	JERSEY	153	139
CONTRACT NO.: 97574			ILLINOIS TRFD. AID PROJECT	



FILE NAME = 164-308

USER NAME = Horgan, Chris	DESIGNED - CAW	REVISED -
DRAWN - CSH	CHECKED - JAL	REVISED -
PLOT SCALE = 1:2	DATE - 10/21/2014	REVISED -
PLOT DATE = 10/21/2014		

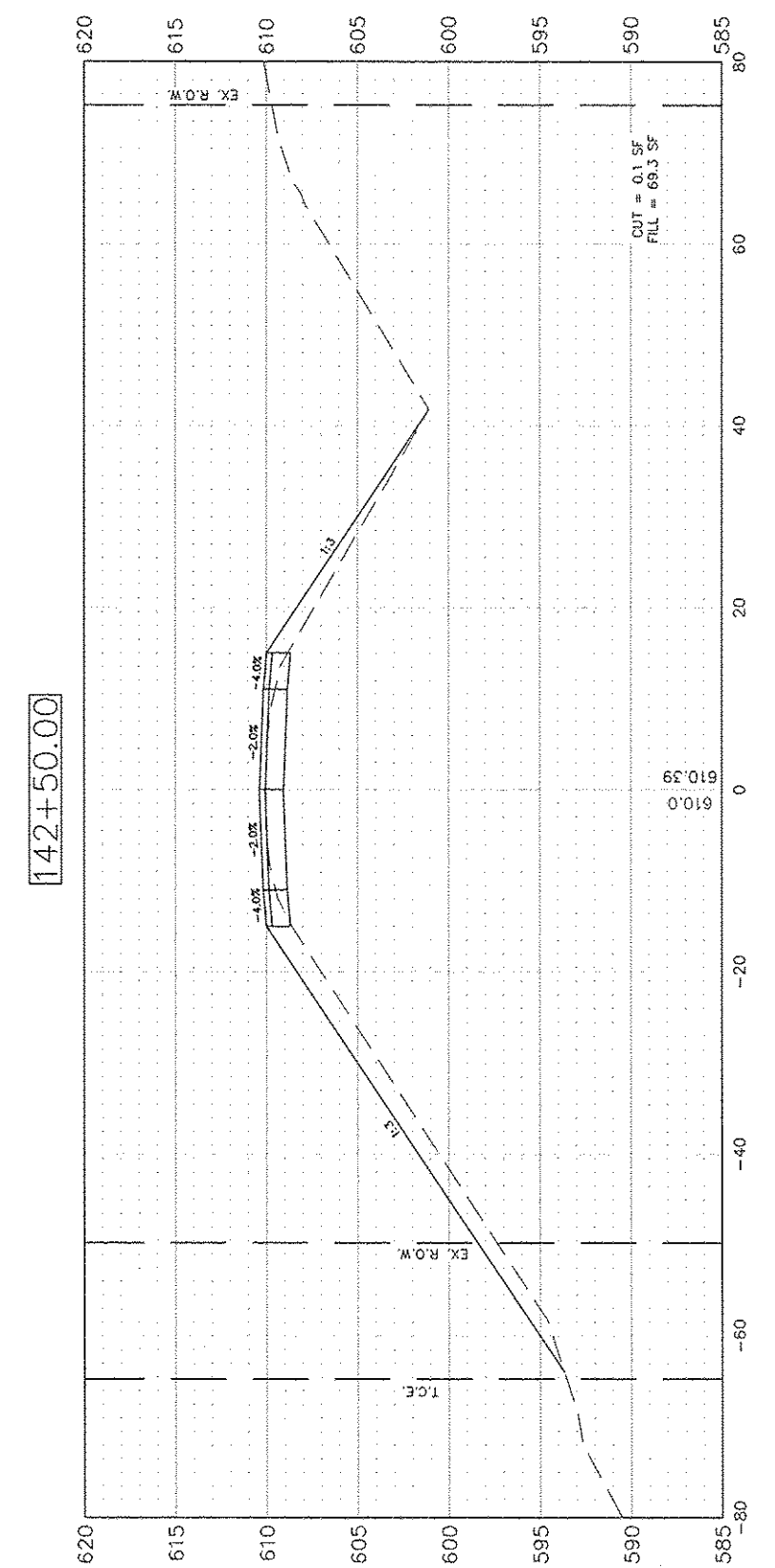
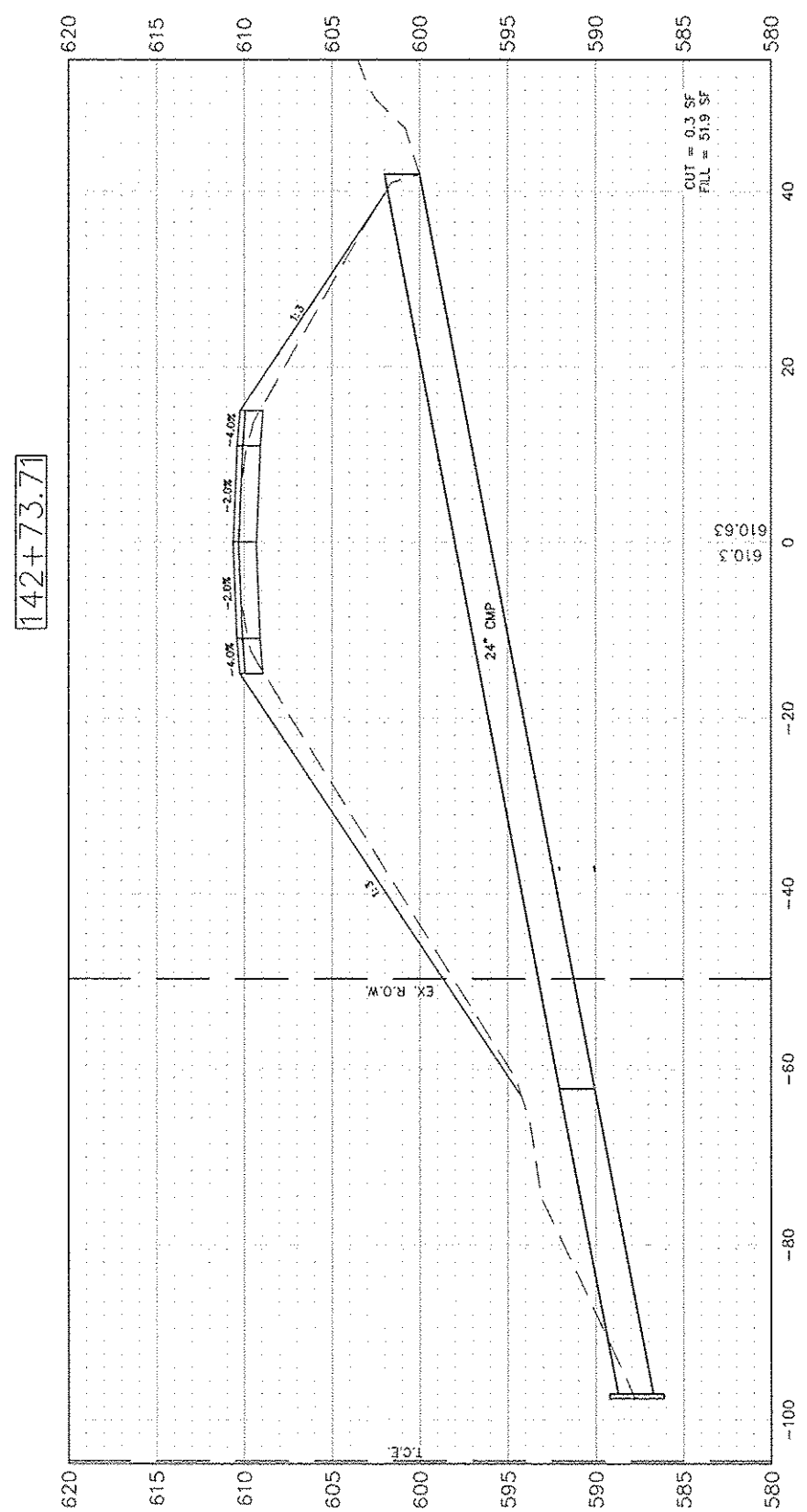
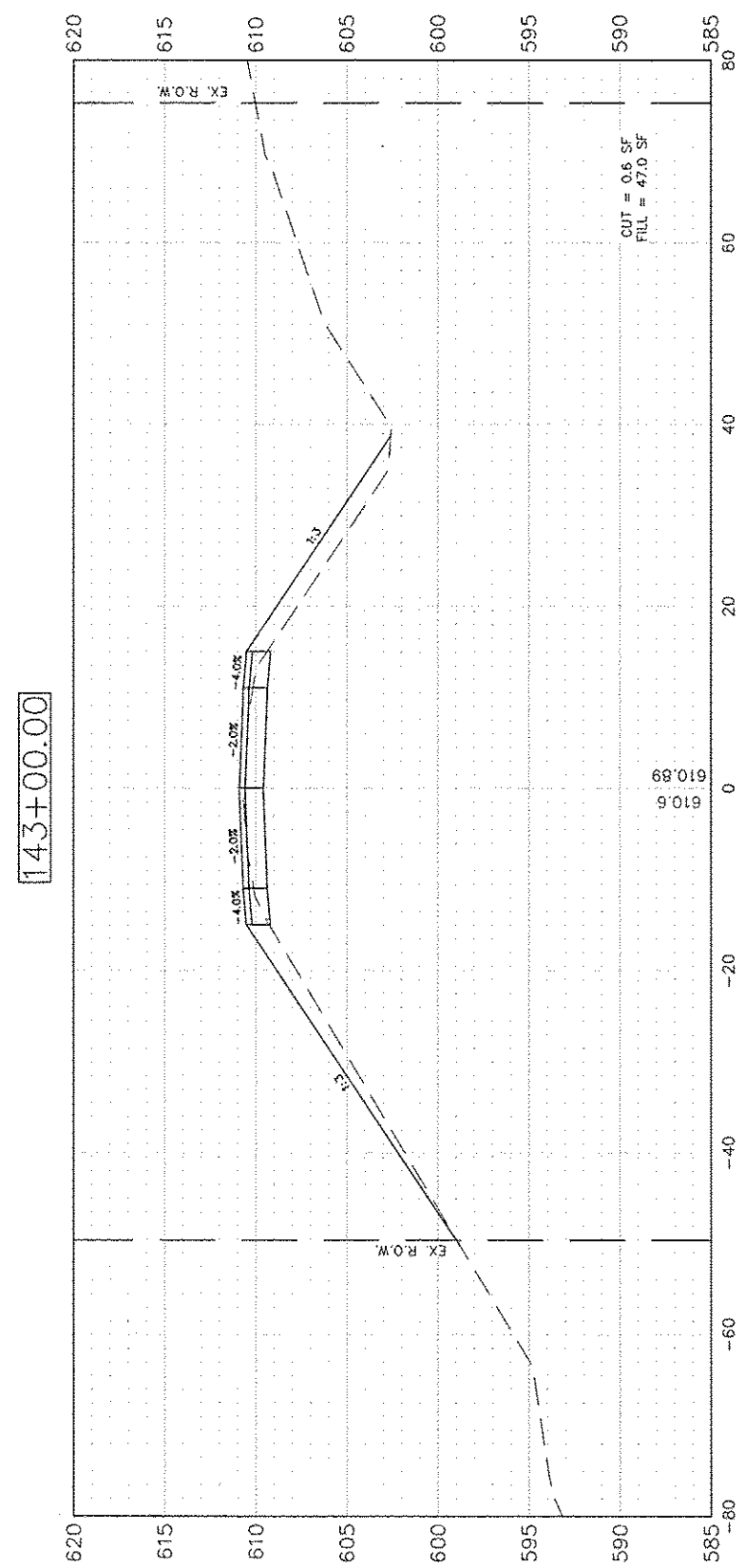
STATE OF ILLINOIS
DEPARTMENT OF TRANSPORTATION

CROSS SECTION

SCALE: 1:10 SHEET NO. 140 OF 153 SHEETS STA. 141+00 TO STA. 142+00

F.A.S. RTE. 748	SECTION 11-00027-03-RS	COUNTY JERSEY	TOTAL SHEETS 153	SHEET NO. 140
CONTRACT NO.: 97574				

EX. R.O.W.



FILE NAME = 164-308

USER NAME = Horgan, Chris	DESIGNED = CAW	REVISED =
DRAWN = CSH	CHECKED = JAL	REVISED =
PLOT SCALE = 1:2	DATE = 10/21/2014	REVISED =
PLOT DATE = 10/21/2014		REVISED =

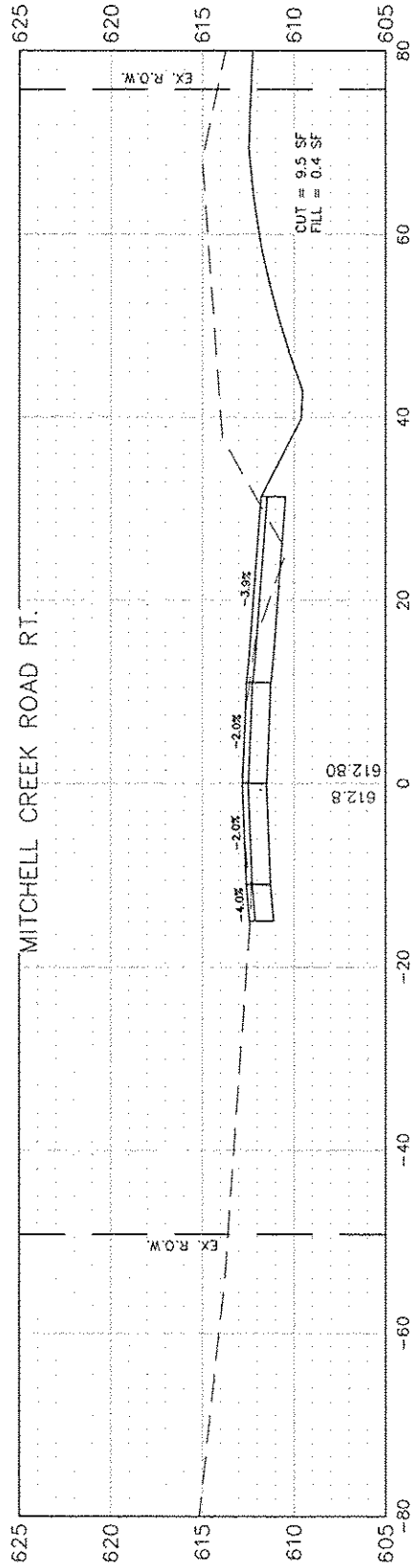
STATE OF ILLINOIS
DEPARTMENT OF TRANSPORTATION

CROSS SECTION

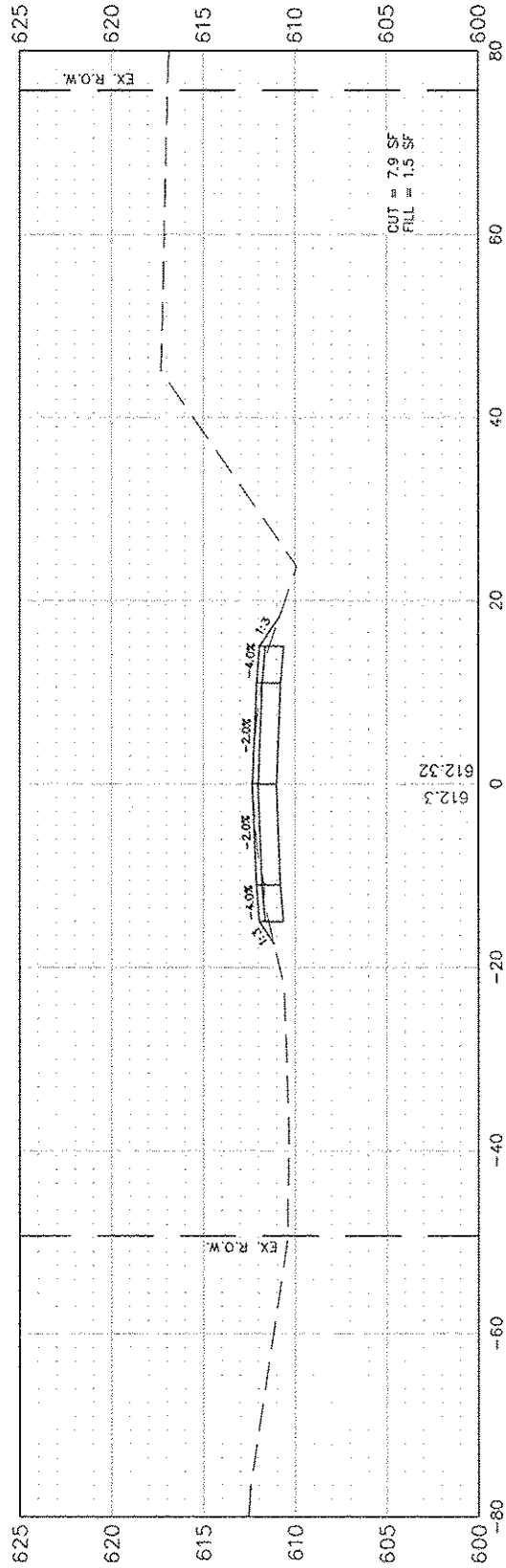
SCALE: 1:10 SHEET NO. 141 OF 153 SHEETS STA. 142+50 TO STA. 143+00

F.A.S. RTE.	SECTION	COUNTY	TOTAL SHEETS	SHEET NO.
748	11-00027-03-RS	JERSEY	153	141
CONTRACT NO.: 97574				

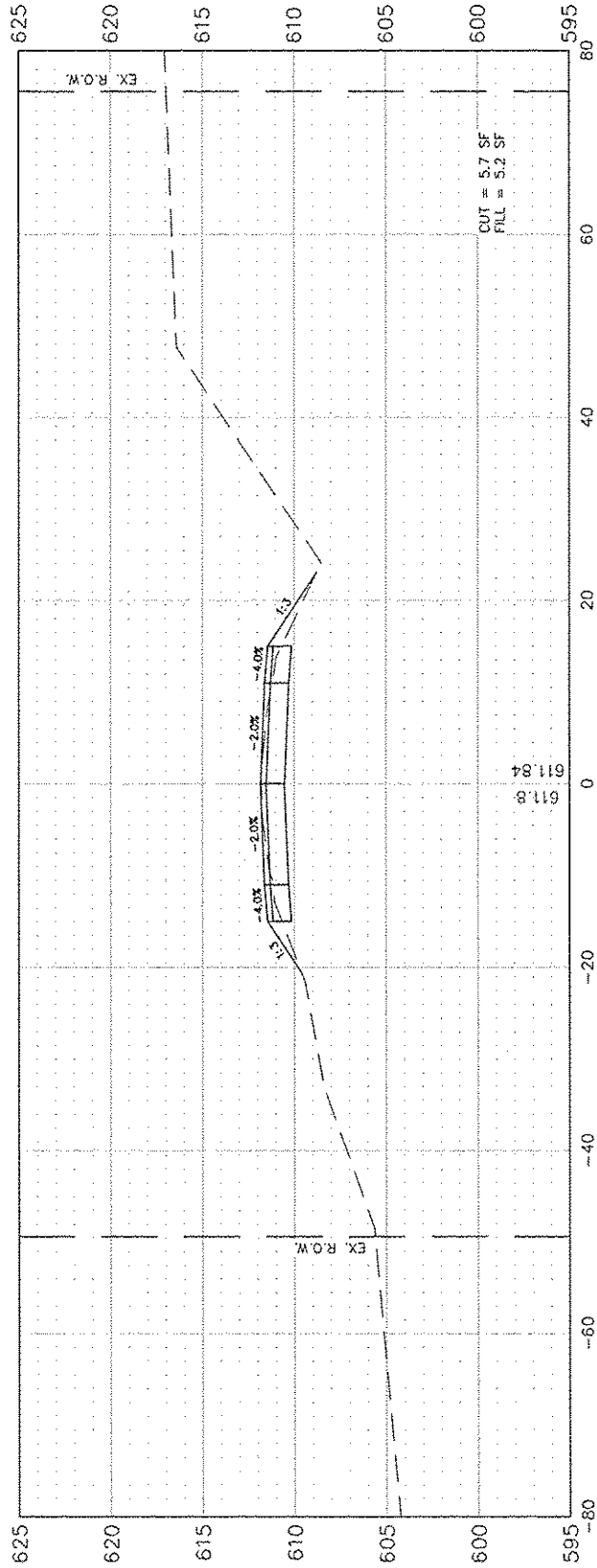
145+00.00



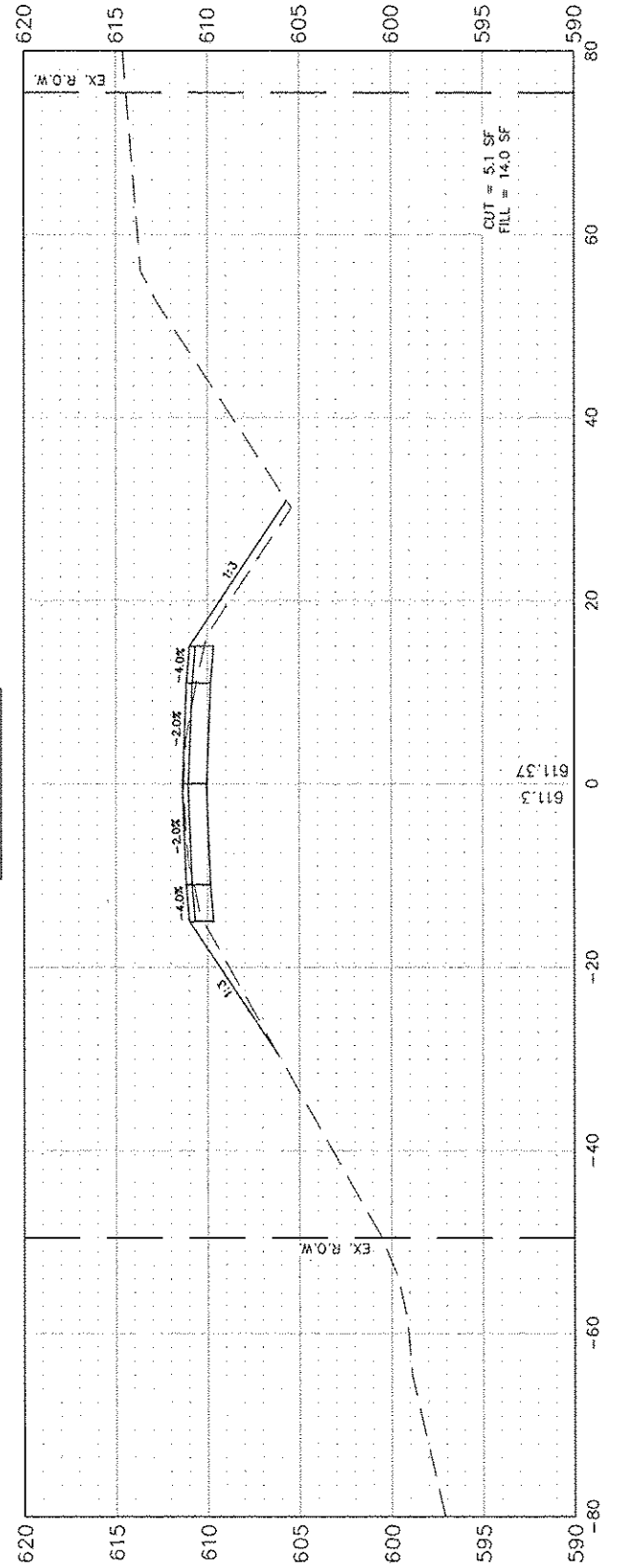
144+50.00



144+00.00



143+50.00



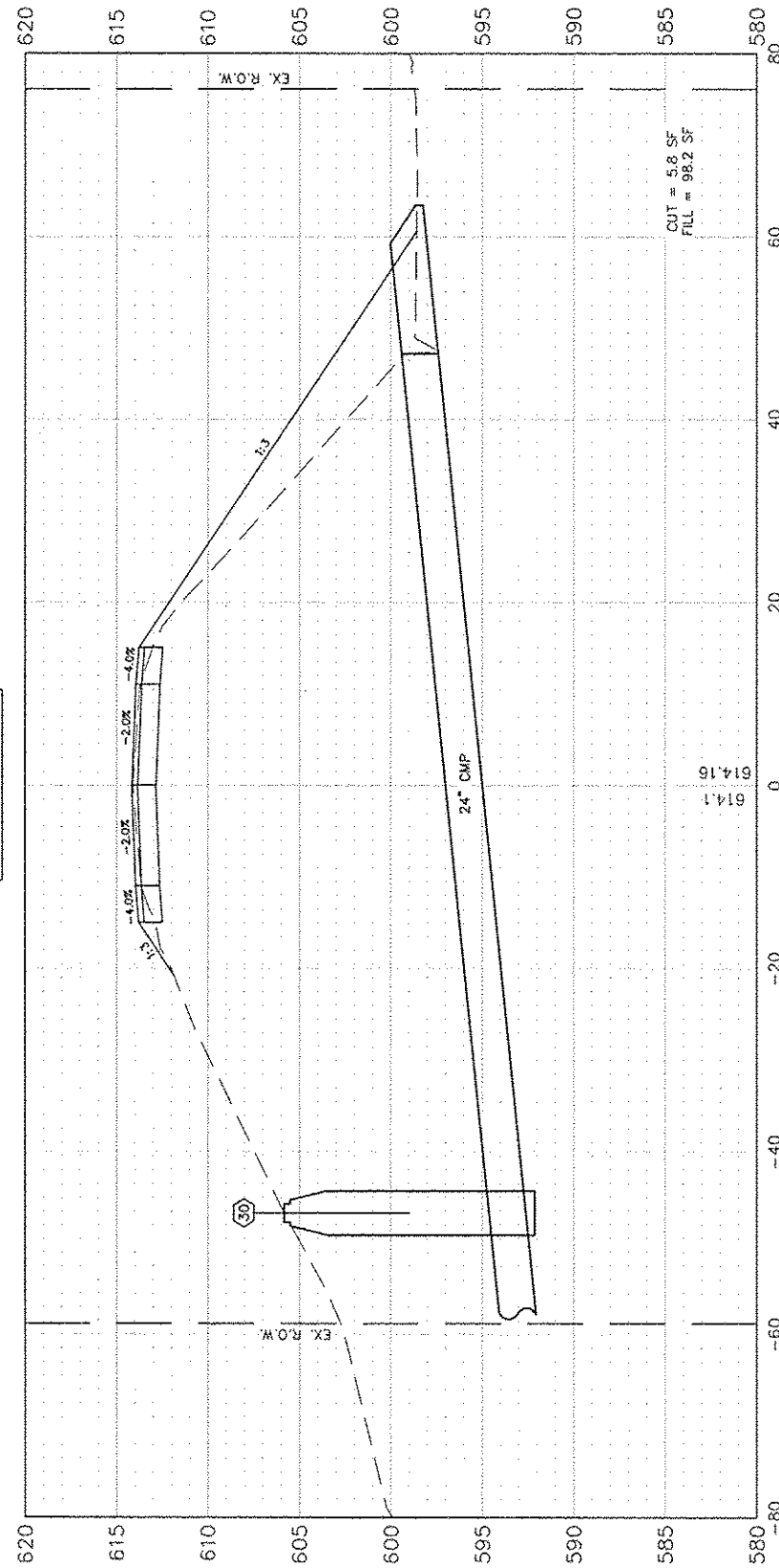
FILE NAME = 164-308	USER NAME = Horgan, Chris	DESIGNED -- CAW	REVISED --
	PLOT SCALE = 1:2	DRAWN -- CSH	REVISED --
	PLOT DATE = 10/21/2014	CHECKED -- JAL	REVISED --
		DATE -- 10/21/2014	REVISED --

STATE OF ILLINOIS
DEPARTMENT OF TRANSPORTATION

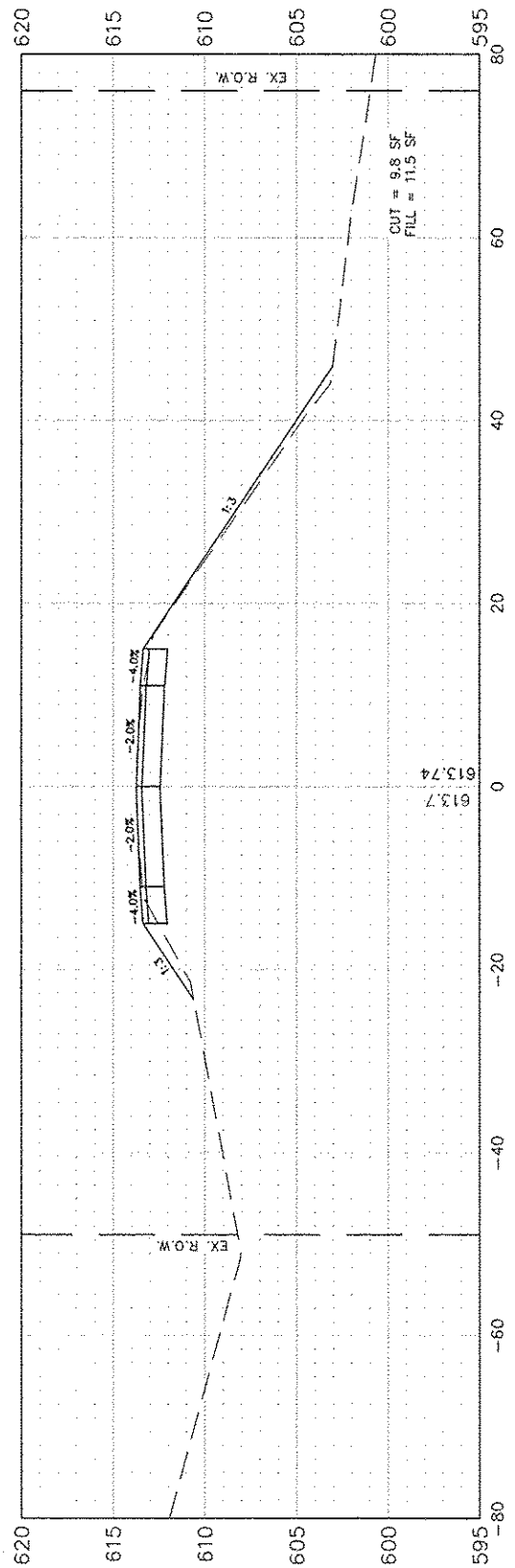
CROSS SECTION
SCALE: 1:10 SHEET NO. 142 OF 153 SHEETS STA. 143+50 TO STA. 145+00

F.A.S. RTE.	SECTION	COUNTY	TOTAL SHEETS	SHEET NO.
748	11-00027-03-RS	JERSEY	153	142
CONTRACT NO.: 97574				

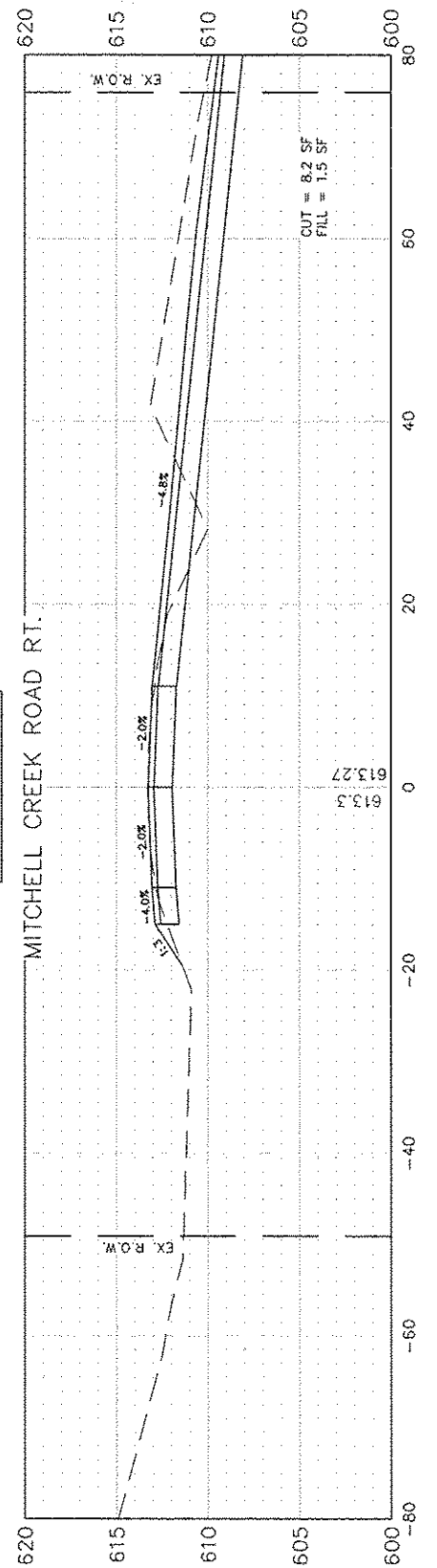
146+43.83



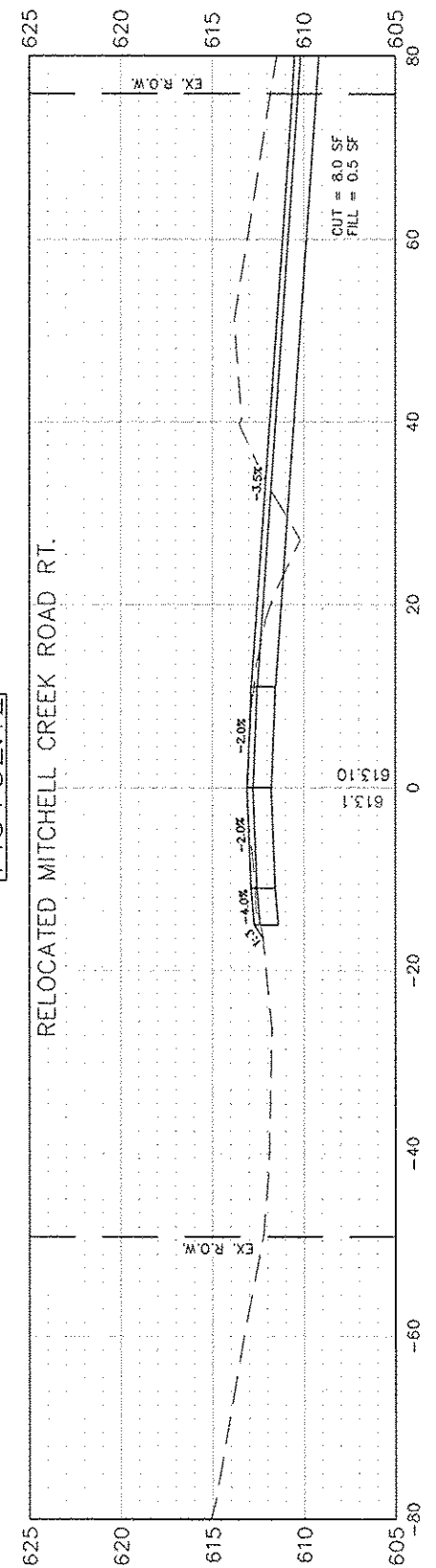
146+00.00



145+50.00



145+32.12



FILE NAME = 164-308	USER NAME = Horgan, Chris	DESIGNED - CAW	REVISED -
		DRAWN - CSH	REVISED -
	PLOT SCALE = 1:2	CHECKED - JAL	REVISED -
	PLOT DATE = 10/21/2014	DATE - 10/21/2014	REVISED -

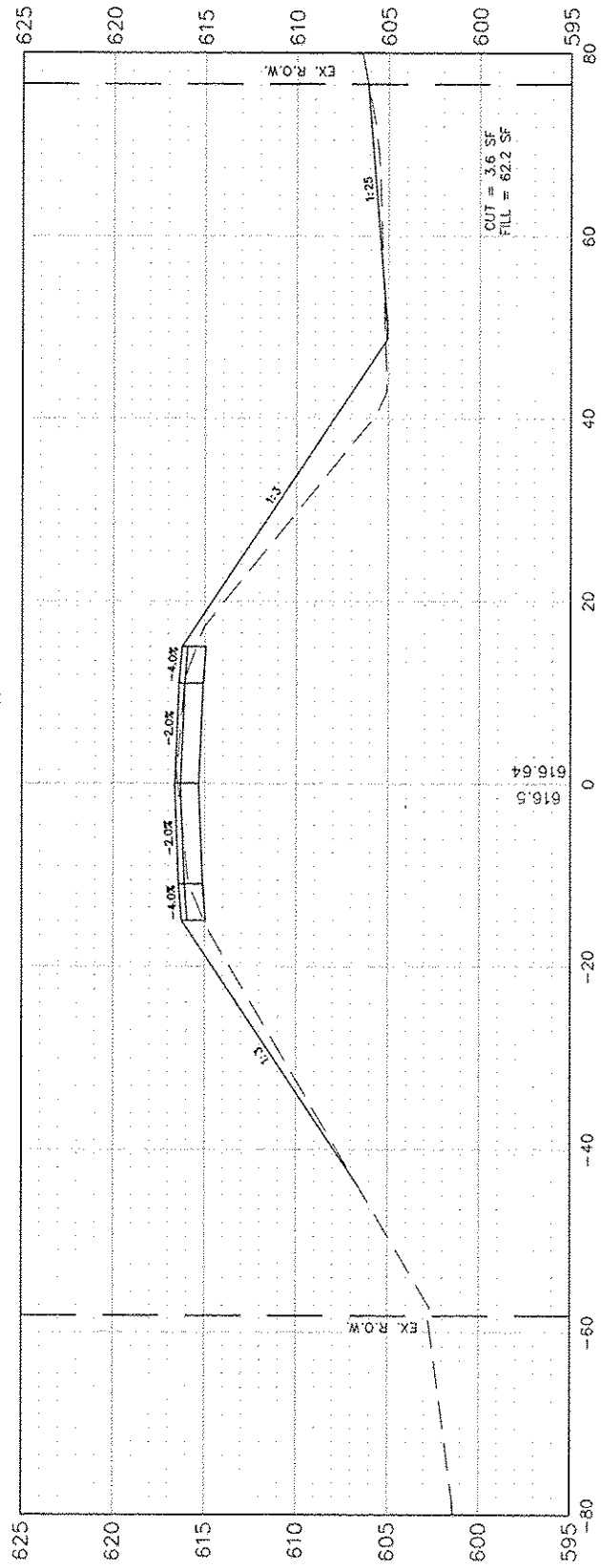
STATE OF ILLINOIS
DEPARTMENT OF TRANSPORTATION

CROSS SECTION

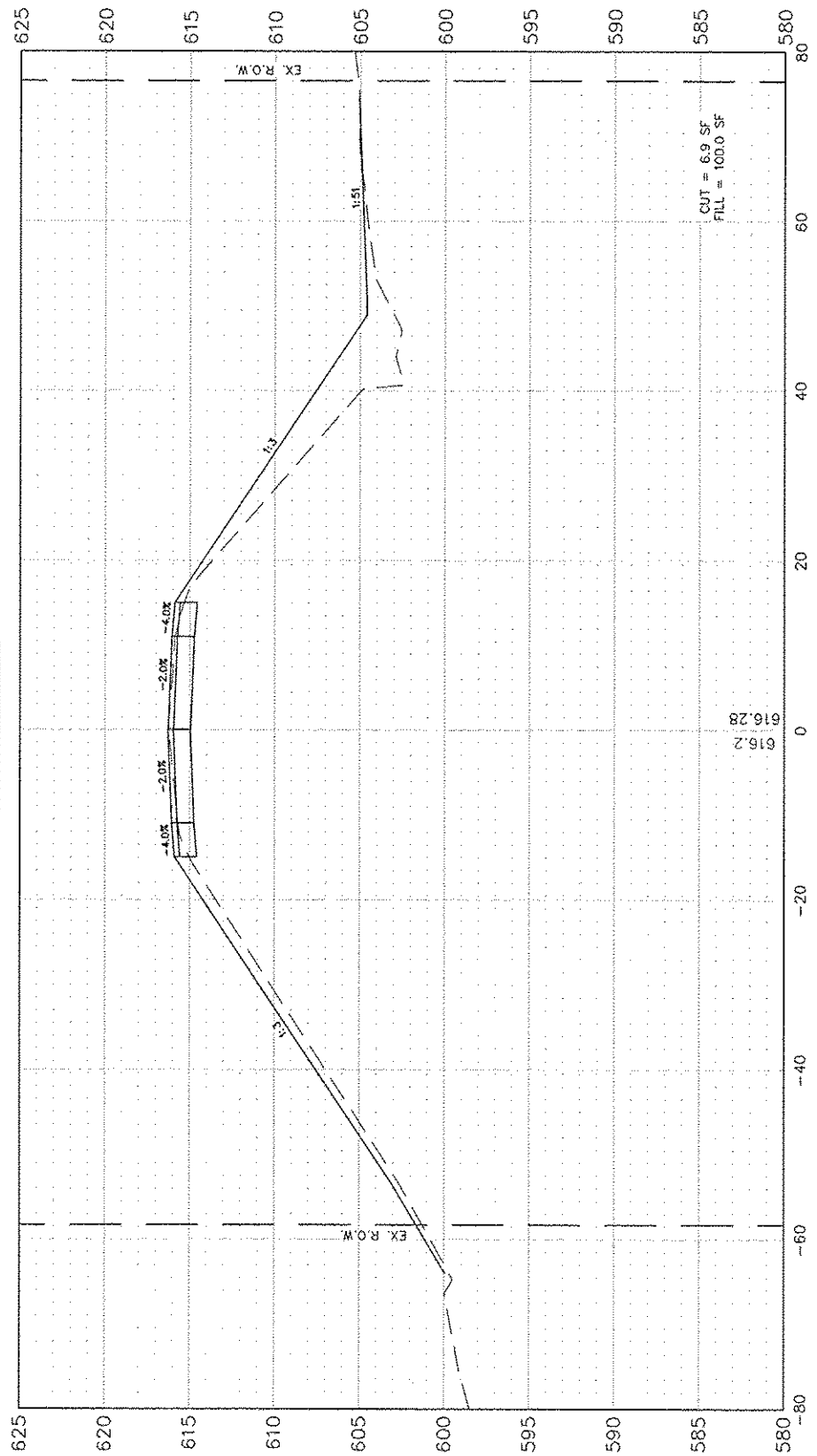
SCALE: 1:10 | SHEET NO. 143 OF 153 SHEETS | STA. 145+32.12 TO STA. 146+43.83

F.A.S. RTE. 748	SECTION 11-00027-03-RS	COUNTY JERSEY	TOTAL SHEETS 153	SHEET NO. 143
CONTRACT NO.: 97574				

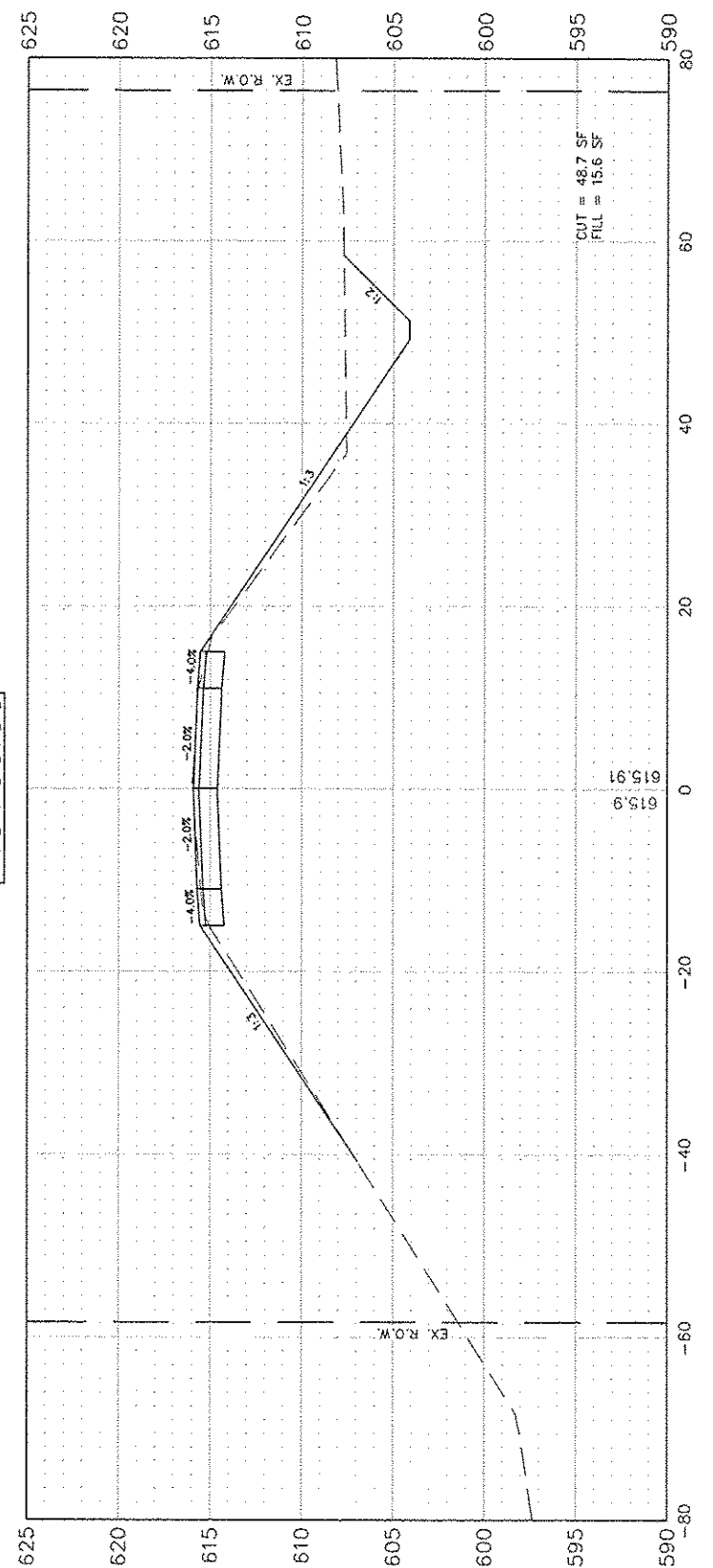
148+50.00



148+25.38



148+00.00



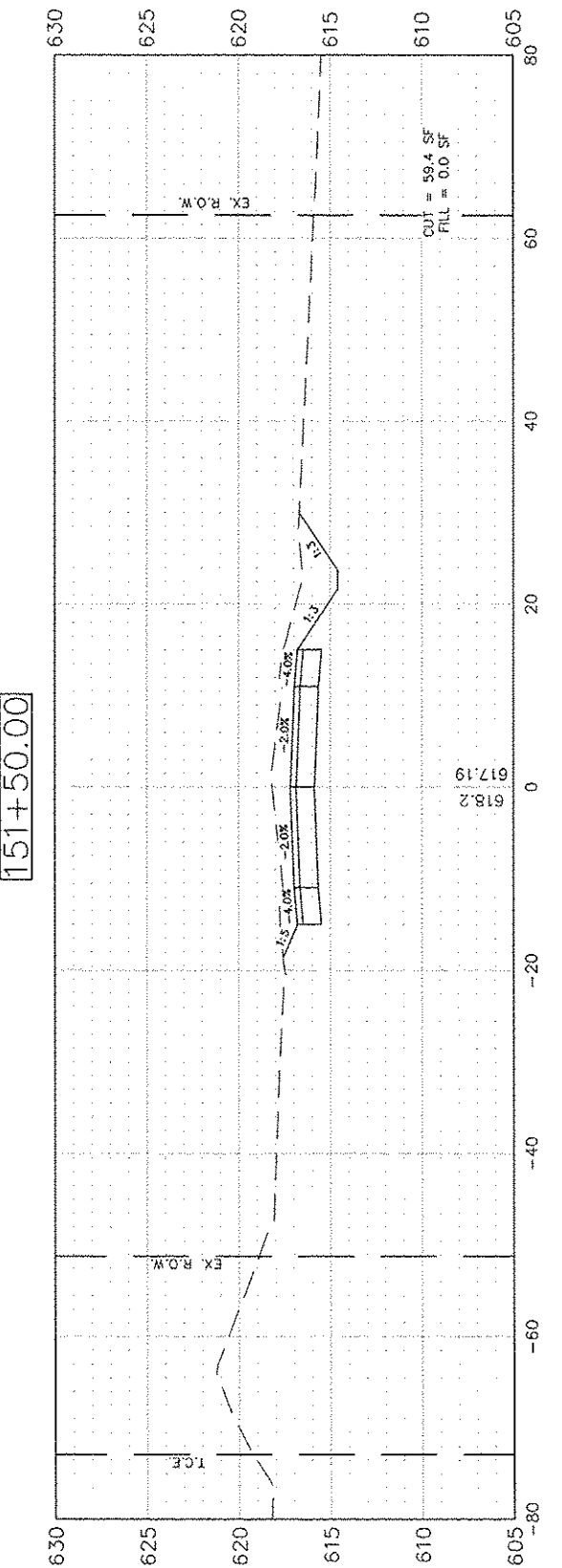
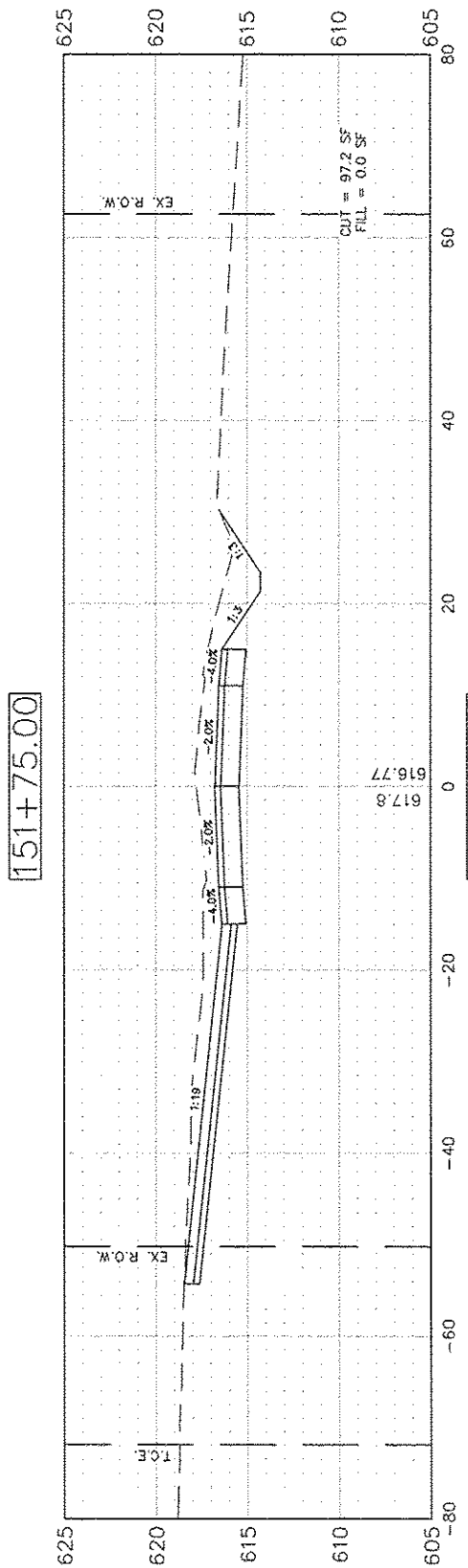
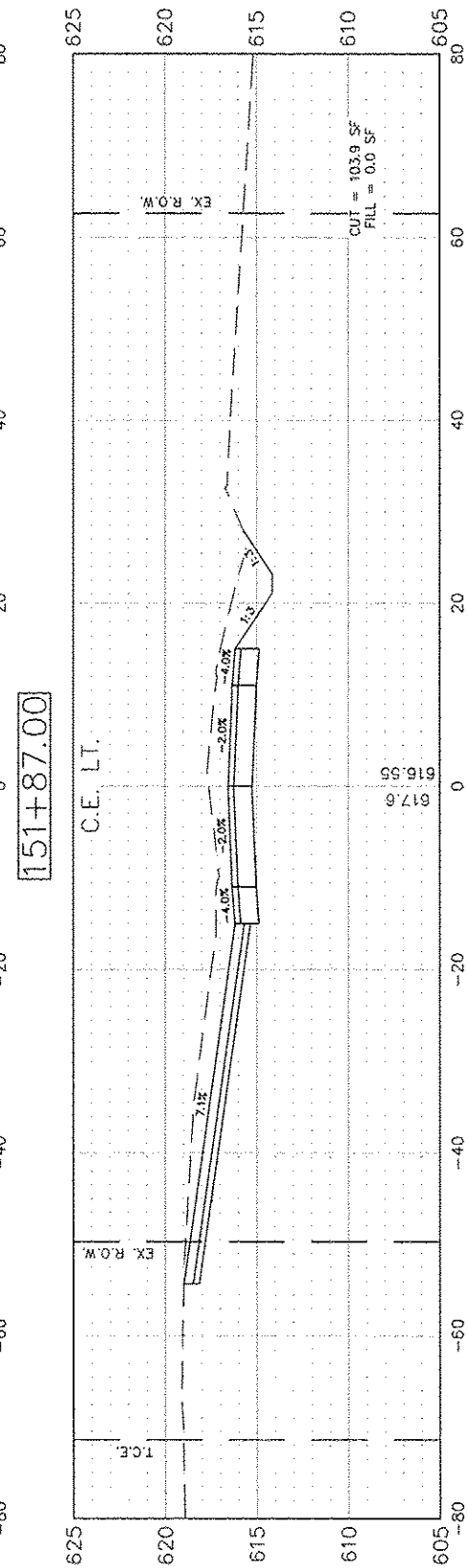
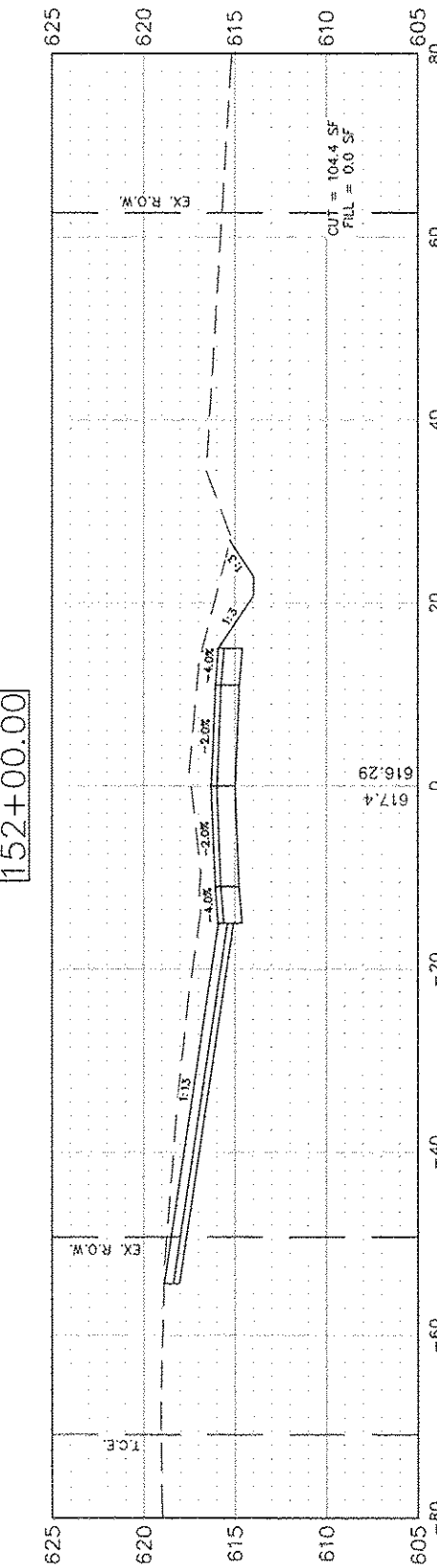
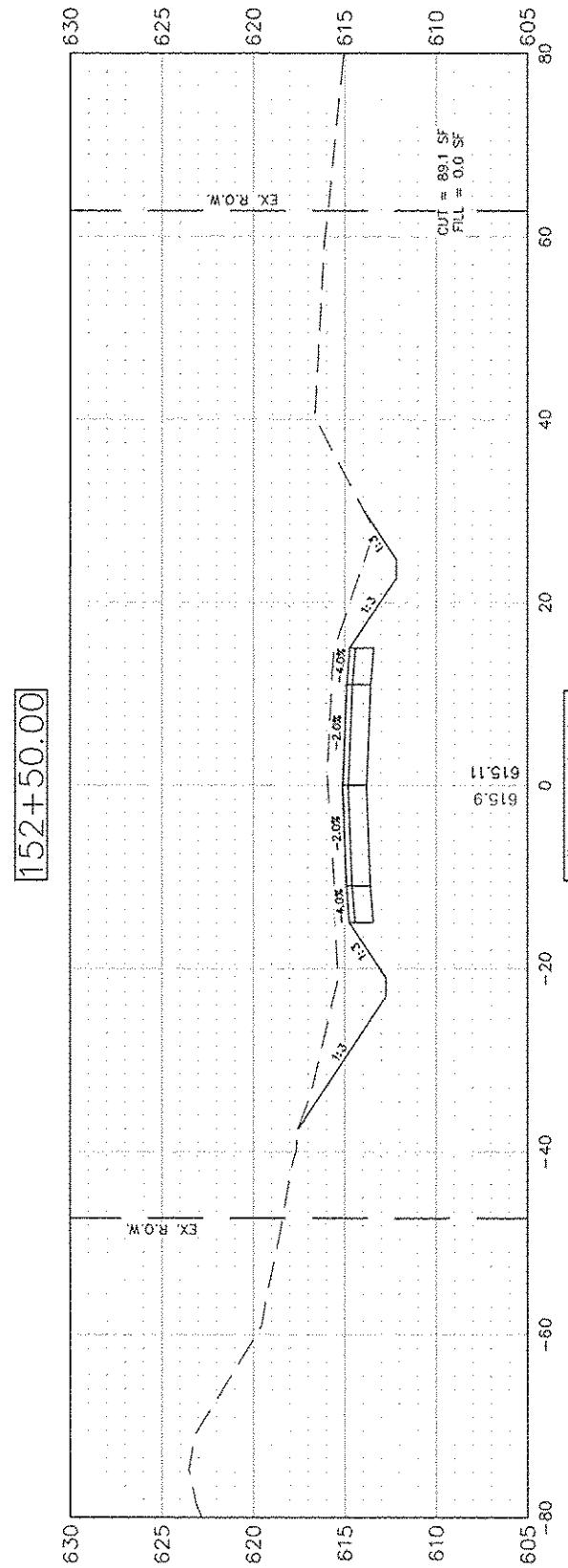
FILE NAME = 164-308	USER NAME = Hargon, Chris	DESIGNED - CAW	REVISED -
		DRAWN - CSH	REVISED -
	PLOT SCALE = 1:2	CHECKED - JAL	REVISED -
	PLOT DATE = 10/21/2014	DATE - 10/21/2014	REVISED -

STATE OF ILLINOIS
DEPARTMENT OF TRANSPORTATION

CROSS SECTION

SCALE: 1:10 SHEET NO. 145 OF 153 SHEETS STA. 148+00 TO STA. 148+50

F.A.S. RTE. 748	SECTION 11-00027-03-RS	COUNTY JERSEY	TOTAL SHEETS 153	SHEET NO. 145
CONTRACT NO.: 97574				
FED. ROAD DIST. NO. 2 BUSINESS TRIP. AD. PROJECT				



FILE NAME = 164-308	USER NAME = Hargon, Chris	DESIGNED - CAW	REVISED -
		DRAWN - CSH	REVISED -
	PLOT SCALE = 1:2	CHECKED - JAL	REVISED -
	PLOT DATE = 10/21/2014	DATE = 10/21/2014	REVISED -

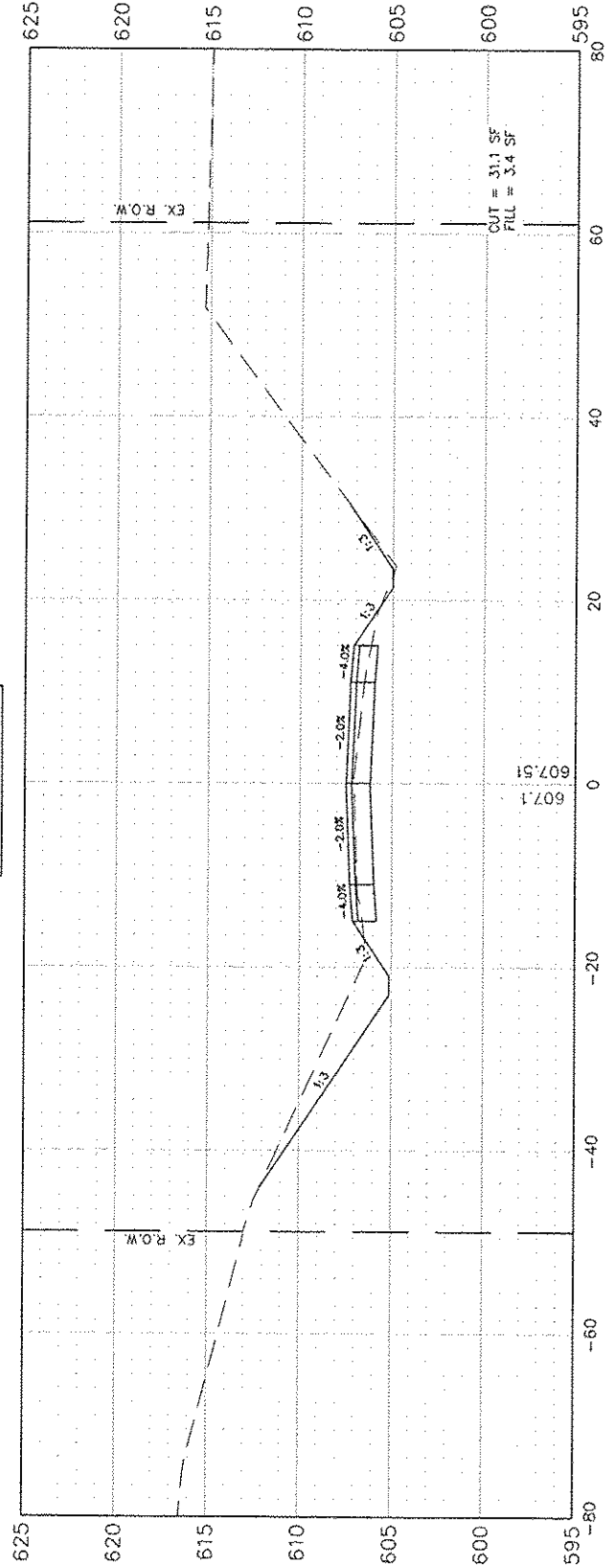
**STATE OF ILLINOIS
DEPARTMENT OF TRANSPORTATION**

CROSS SECTION

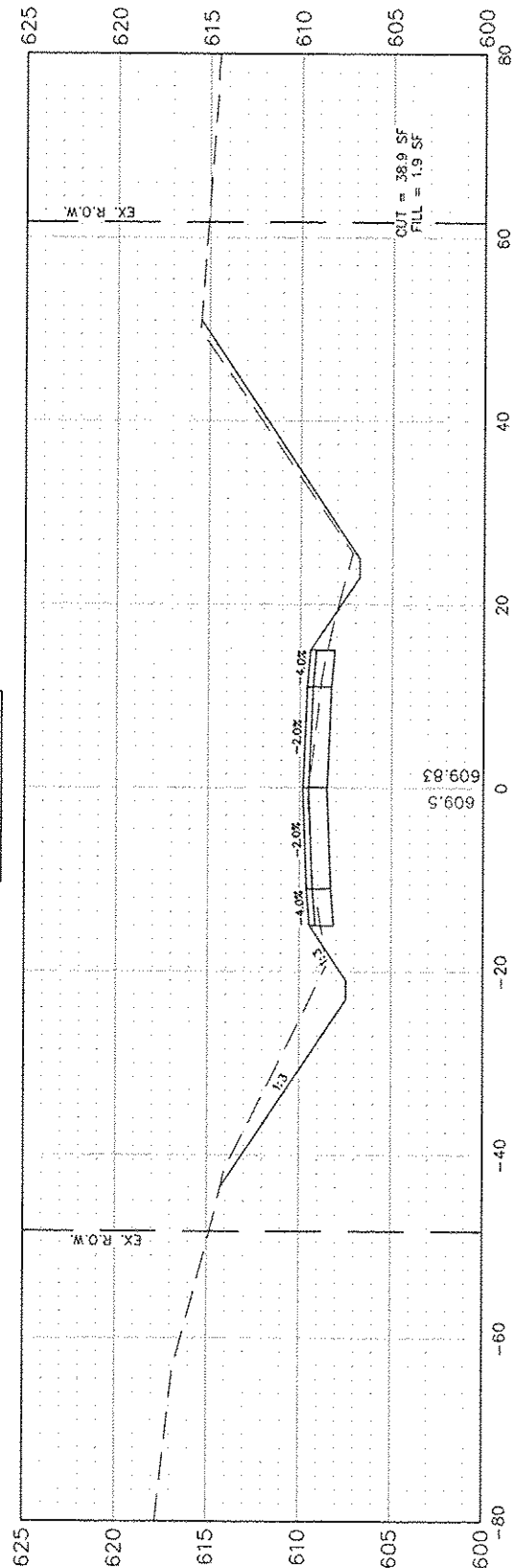
SCALE: 1:10 SHEET NO. 147 OF 153 SHEETS STA. 151+50 TO STA. 152+50

F.A.S. RTE.	SECTION	COUNTY	TOTAL SHEETS	SHEET NO.
748	11-00027-03-RS	JERSEY	153	147
CONTRACT NO.:			97574	
FED. ROAD DIST. NO. 8 ILLINOIS FED. AID PROJECT				

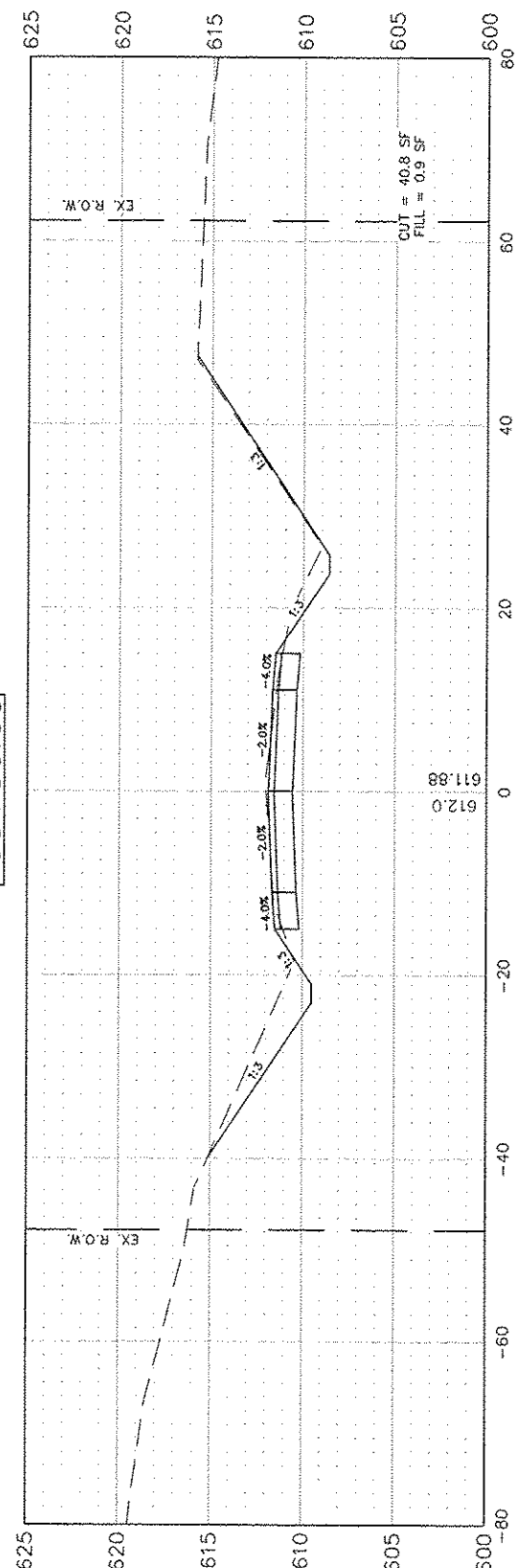
154+50.00



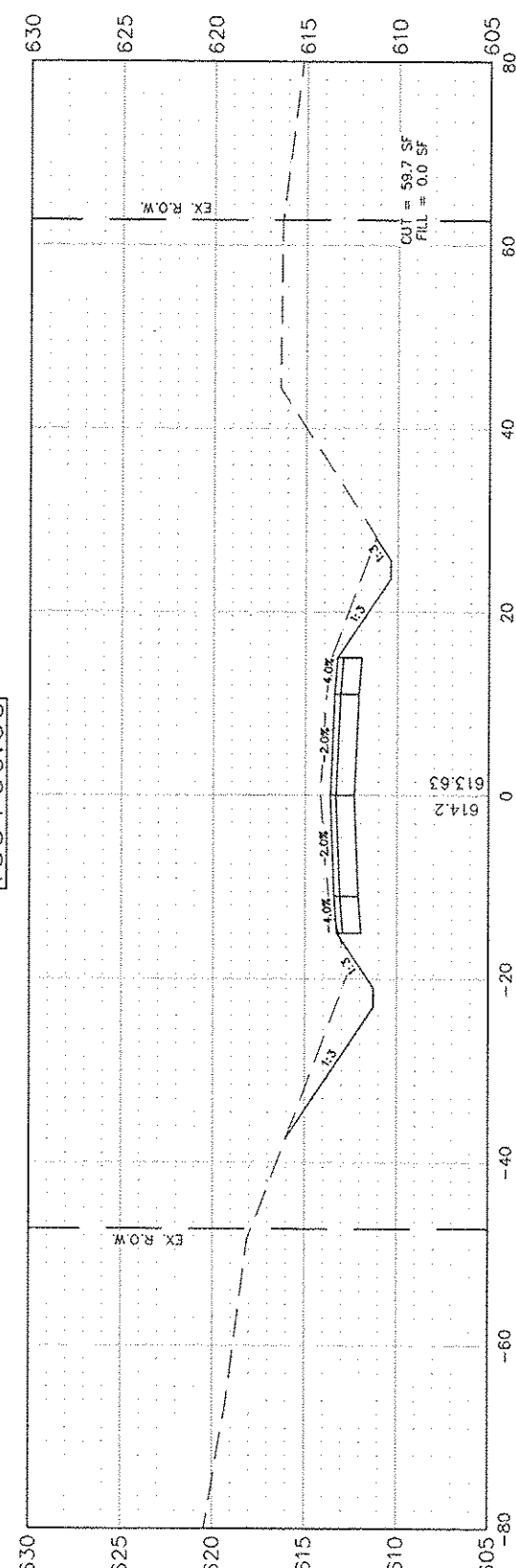
154+00.00



153+50.00



153+00.00



FILE NAME = 164-308

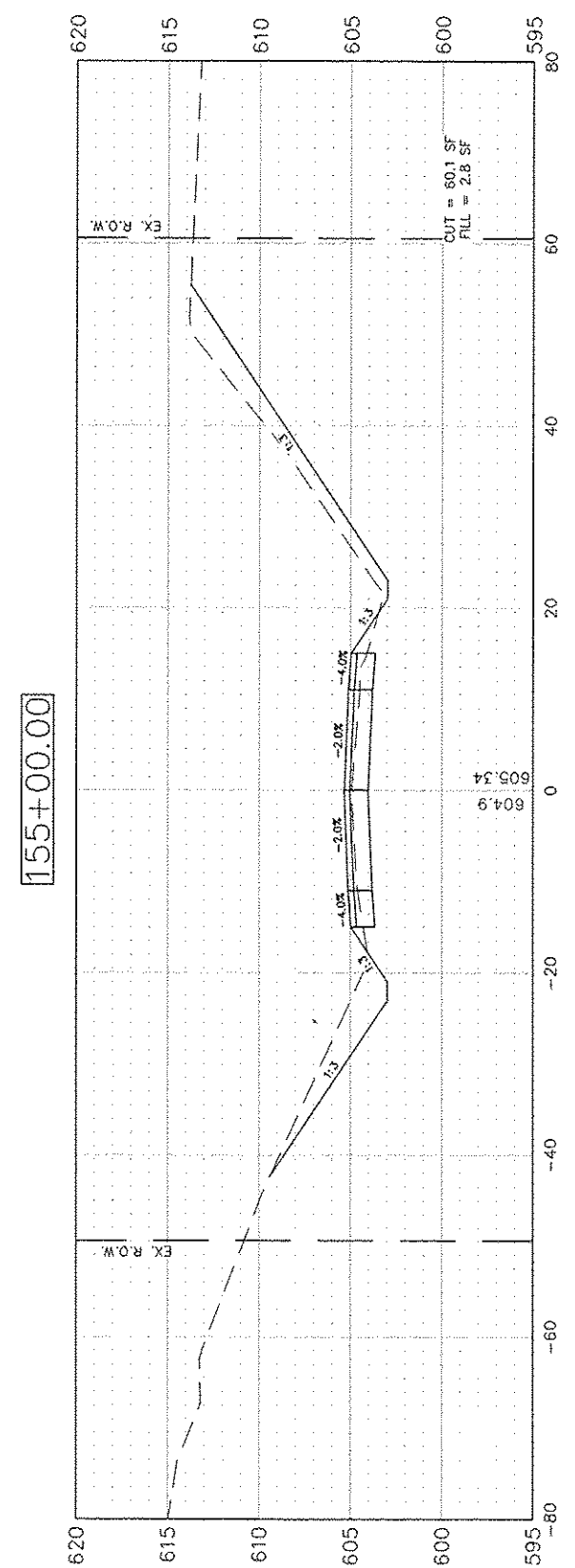
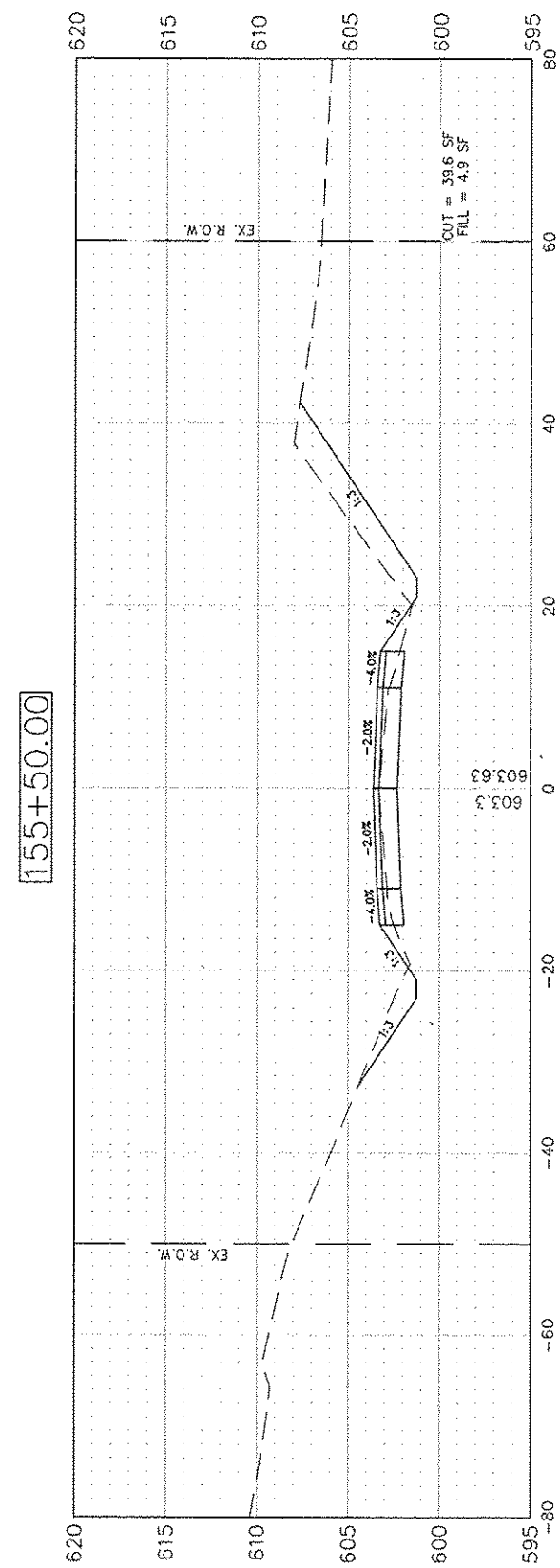
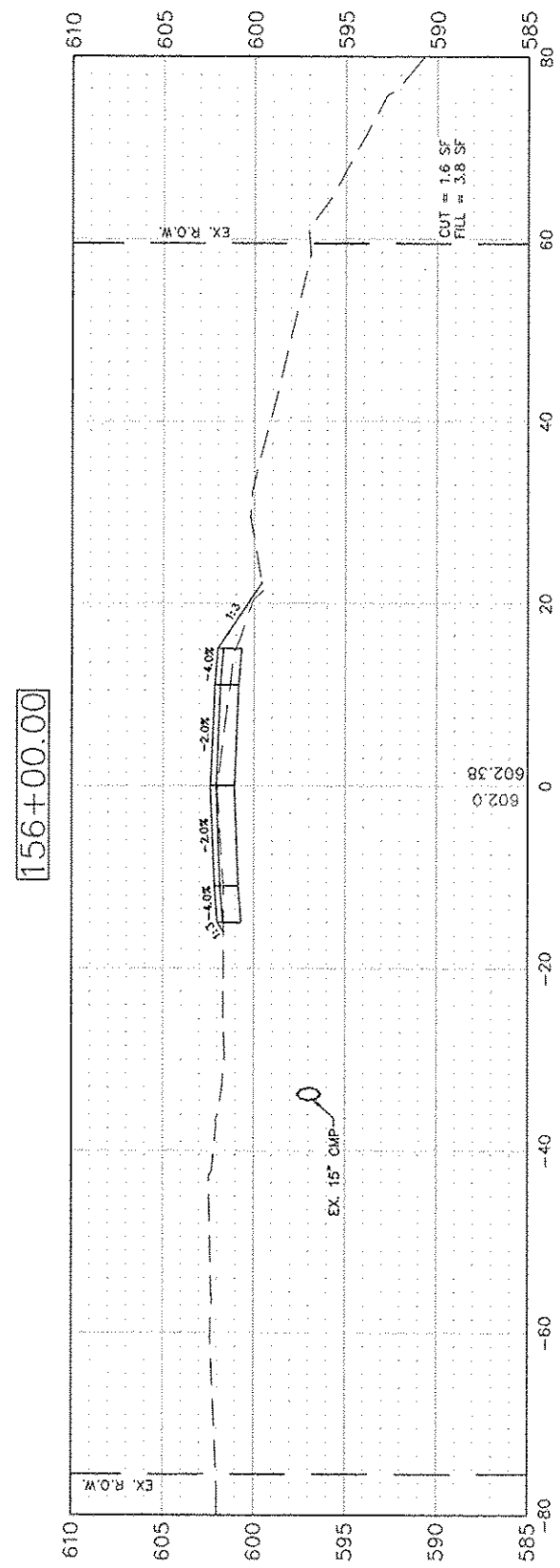
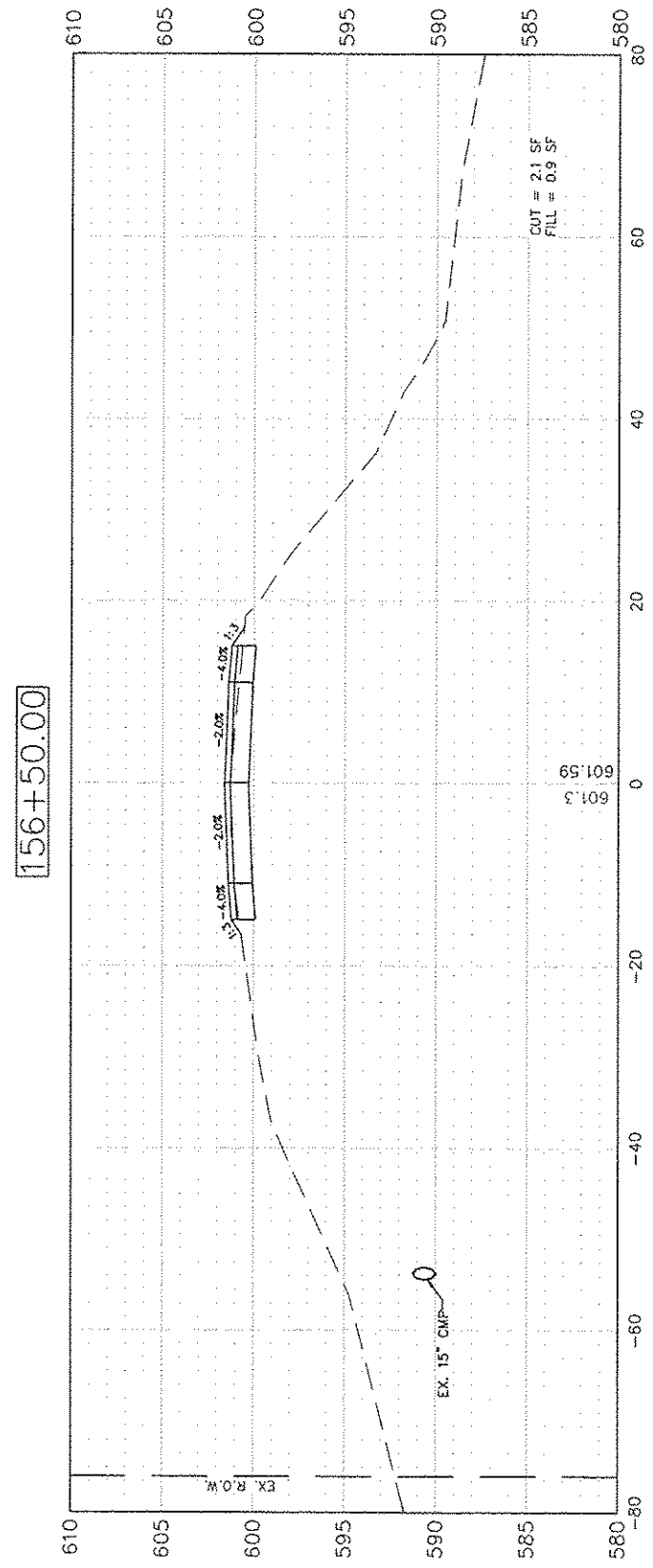
USER NAME = Horgan, Chris	DESIGNED - CAW	REVISED -
PLOT SCALE = 1:2	DRAWN - CSH	REVISED -
PLOT DATE = 10/21/2014	CHECKED - JAL	REVISED -
	DATE - 10/21/2014	REVISED -

STATE OF ILLINOIS
DEPARTMENT OF TRANSPORTATION

CROSS SECTION

SCALE: 1:10 [SHEET NO. 148 OF 153 SHEETS] STA. 153+00 TO STA. 154+50

F.A.S. RTE.	SECTION	COUNTY	TOTAL SHEETS	SHEET NO.
748	11-00027-03-RS	JERSEY	153	148
CONTRACT NO.: 97574			ILLINOIS DEPT. OF TRANSPORTATION	



FILE NAME =
164-308

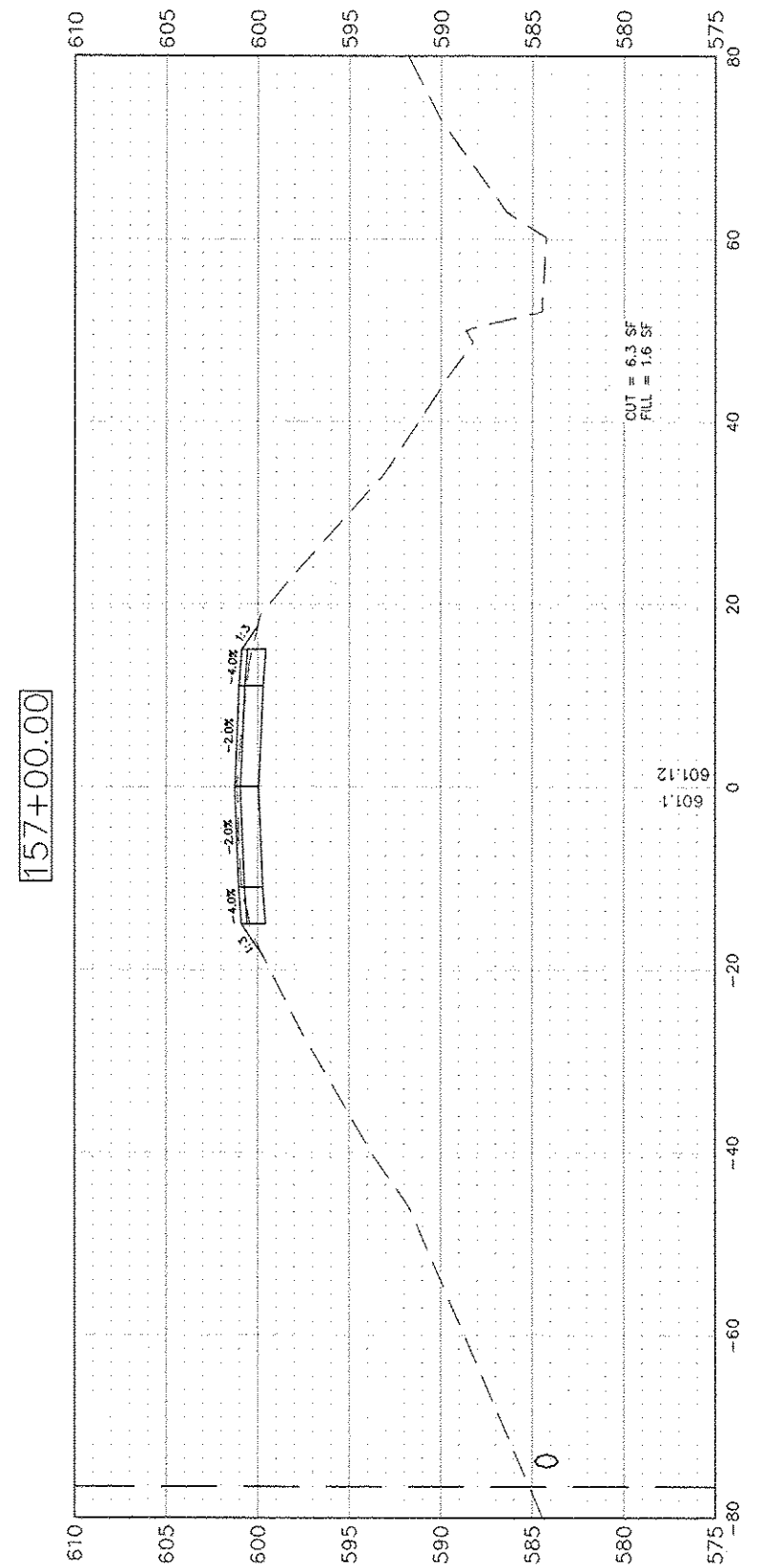
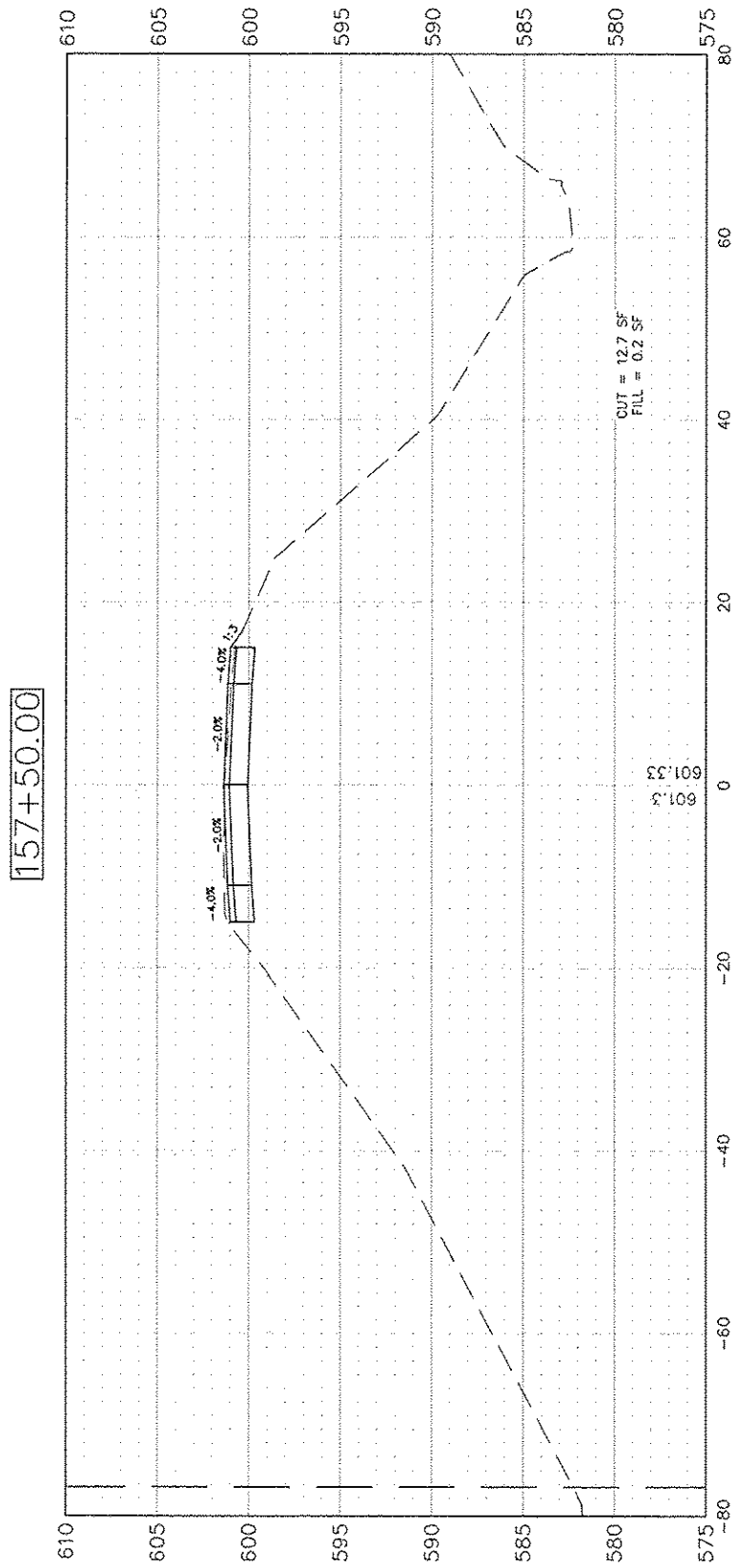
USER NAME = Hargan, Chris	DESIGNED = CAW	REVISED =
	DRAWN = CSH	REVISED =
PLOT SCALE = 1:2	CHECKED = JAL	REVISED =
PLOT DATE = 10/21/2014	DATE = 10/21/2014	REVISED =

STATE OF ILLINOIS
DEPARTMENT OF TRANSPORTATION

CROSS SECTION

SCALE: 1:10 | SHEET NO. 149 OF 153 SHEETS | STA. 155+00 TO STA. 156+50

F.A.S. RTE.	SECTION	COUNTY	TOTAL SHEETS	SHEET NO.
748	11-00027-03-RS	JERSEY	153	149
CONTRACT NO.: 97574				



FILE NAME = 164-308	USER NAME = Horgan, Chris	DESIGNED - CAW	REVISED -
		DRAWN - CSH	REVISED -
	PLOT SCALE = 1:2	CHECKED - JAL	REVISED -
	PLOT DATE = 10/21/2014	DATE - 10/21/2014	REVISED -

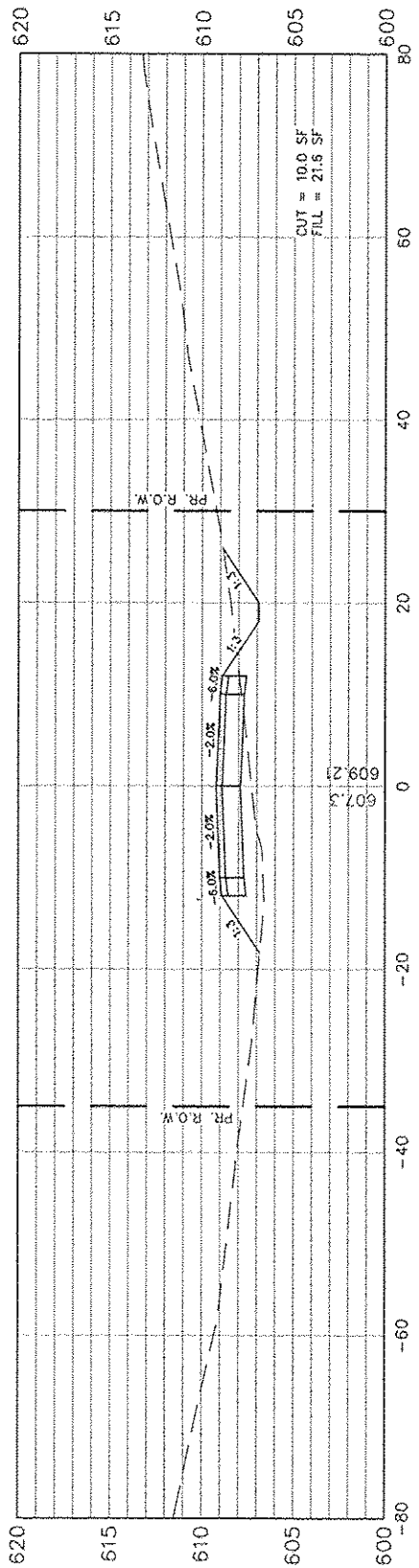
STATE OF ILLINOIS
DEPARTMENT OF TRANSPORTATION

CROSS SECTION

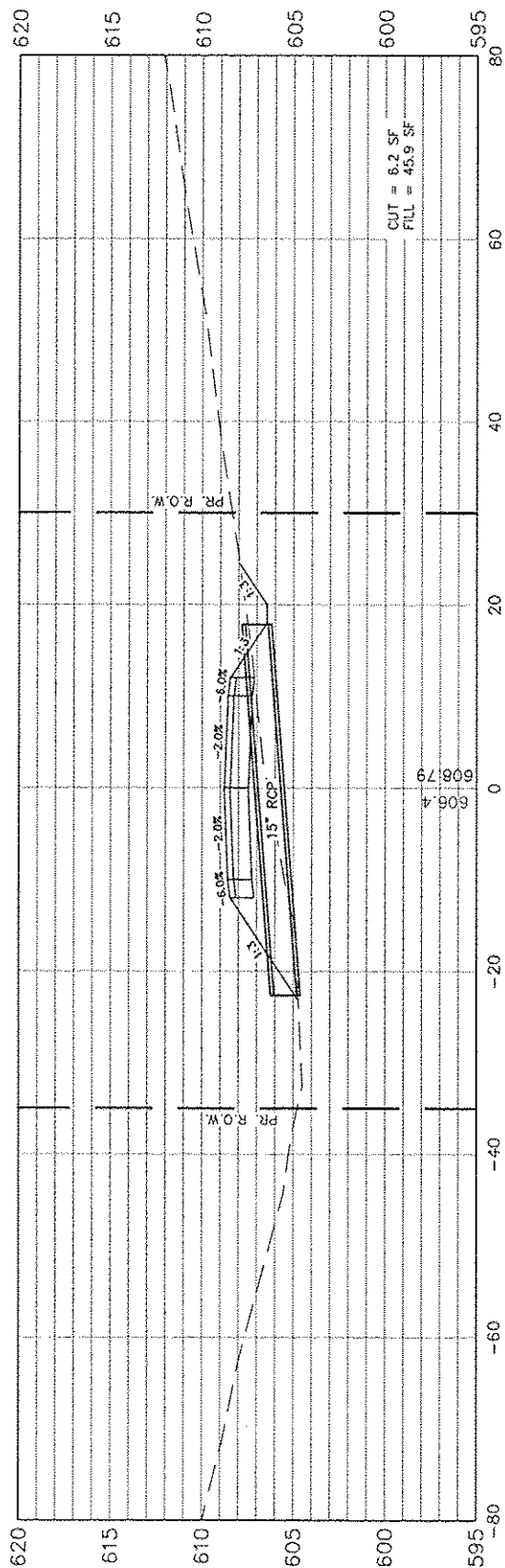
SCALE: 1:10 SHEET NO. 150 OF 153 SHEETS STA. 157+00 TO 157+50

F.A.S. RTE.	SECTION	COUNTY	TOTAL SHEETS	SHEET NO.
748	11-00027-03-RS	JERSEY	153	150
CONTRACT NO.: 97574			FED. ROAD DIST. NO. 8 ILLINOIS FED. AID PROJECT	

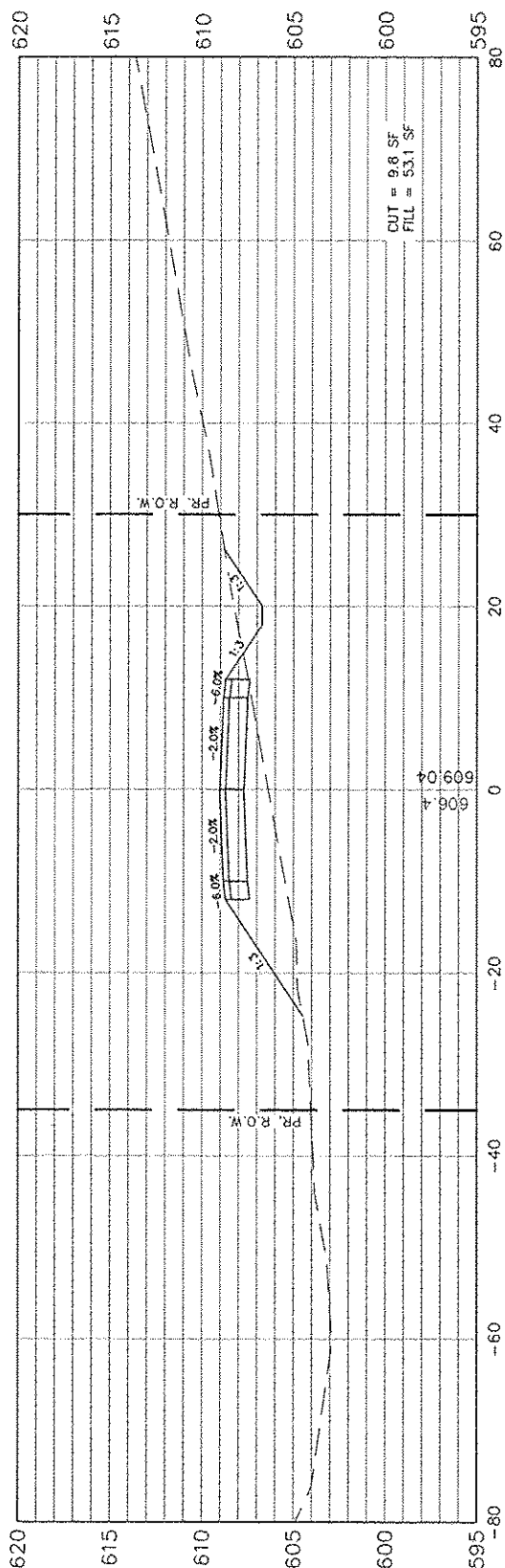
2+50.00



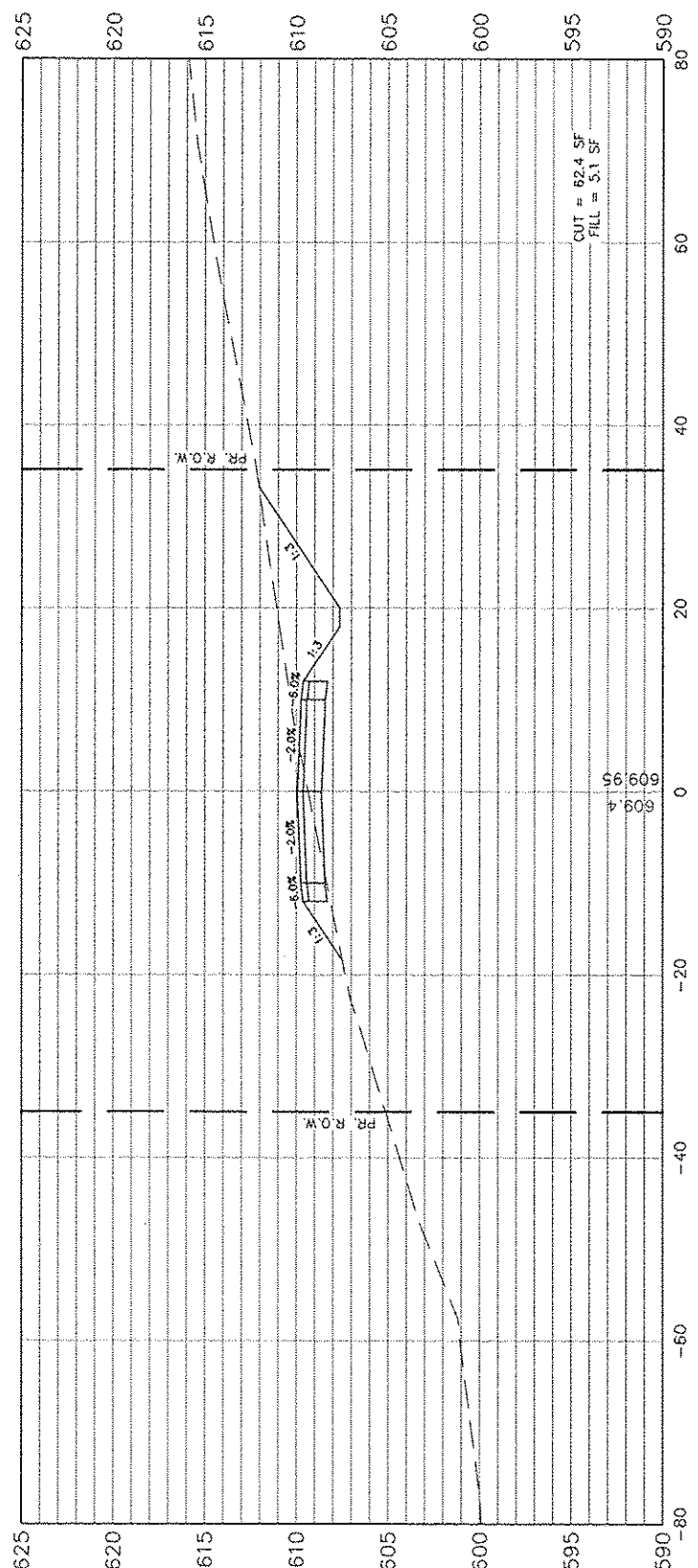
1+93.00



1+50.00



1+00.00



FILE NAME = 164-308

USER NAME = Hargan, Chris	DESIGNED = CAW	REVISED =
DRAWN = CSH	CHECKED = JAL	REVISED =
PLOT SCALE = 1:2	DATE = 10/21/2014	REVISED =
PLOT DATE = 10/21/2014		

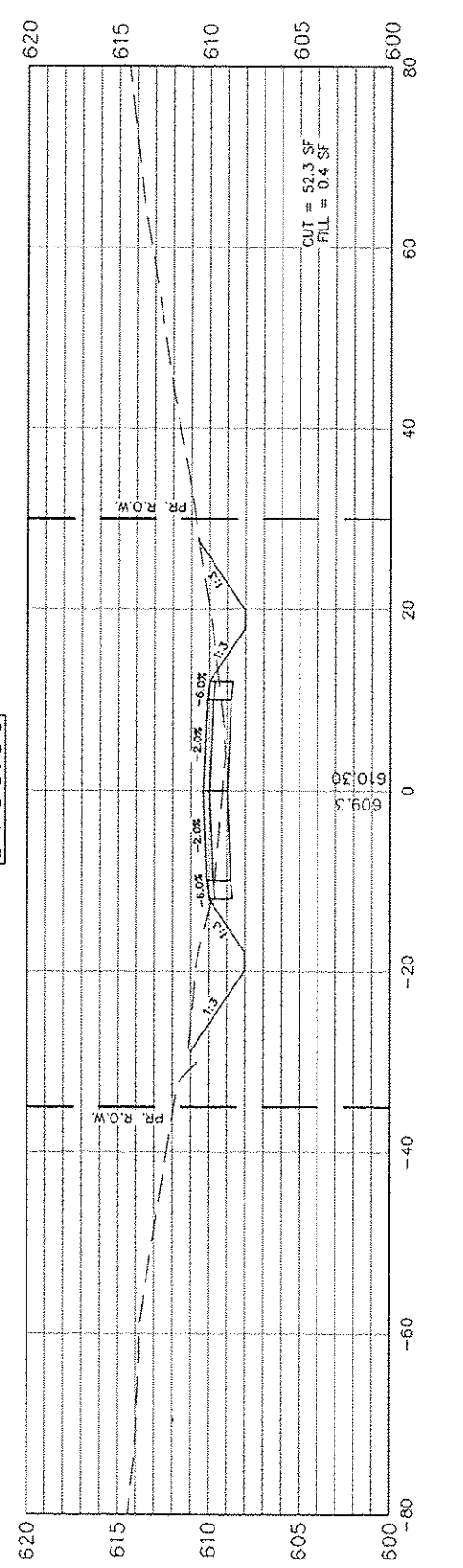
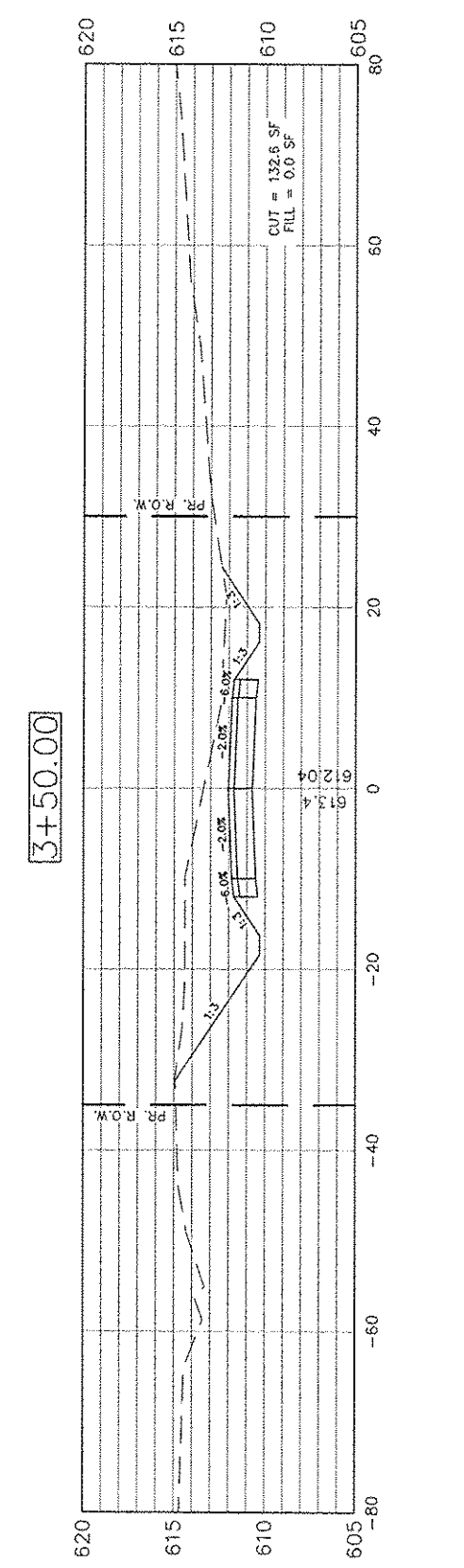
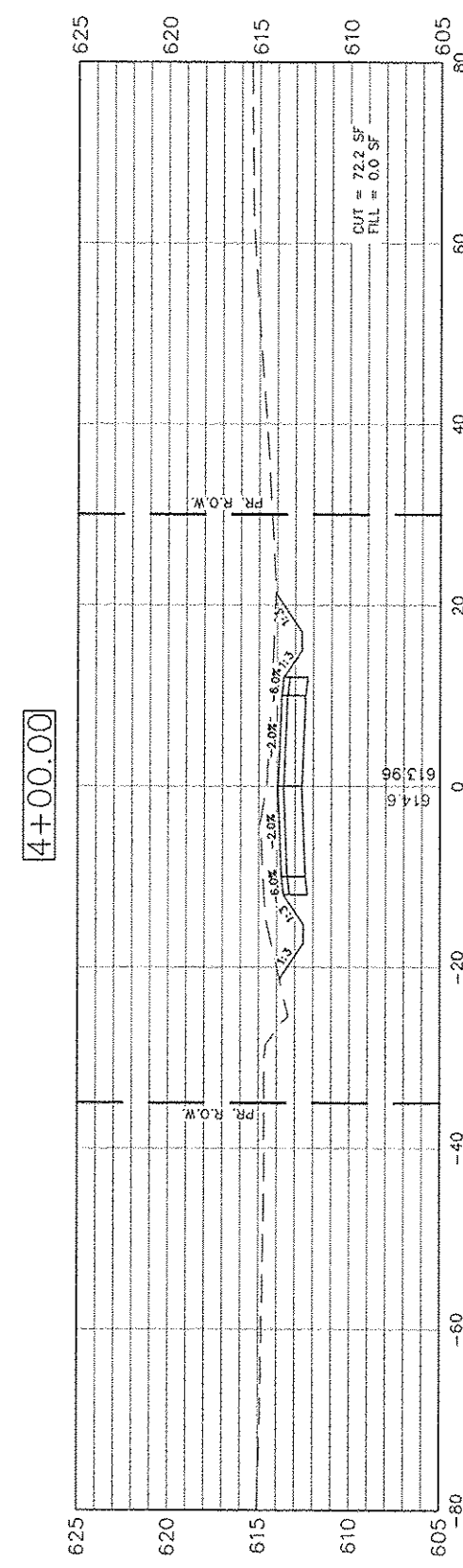
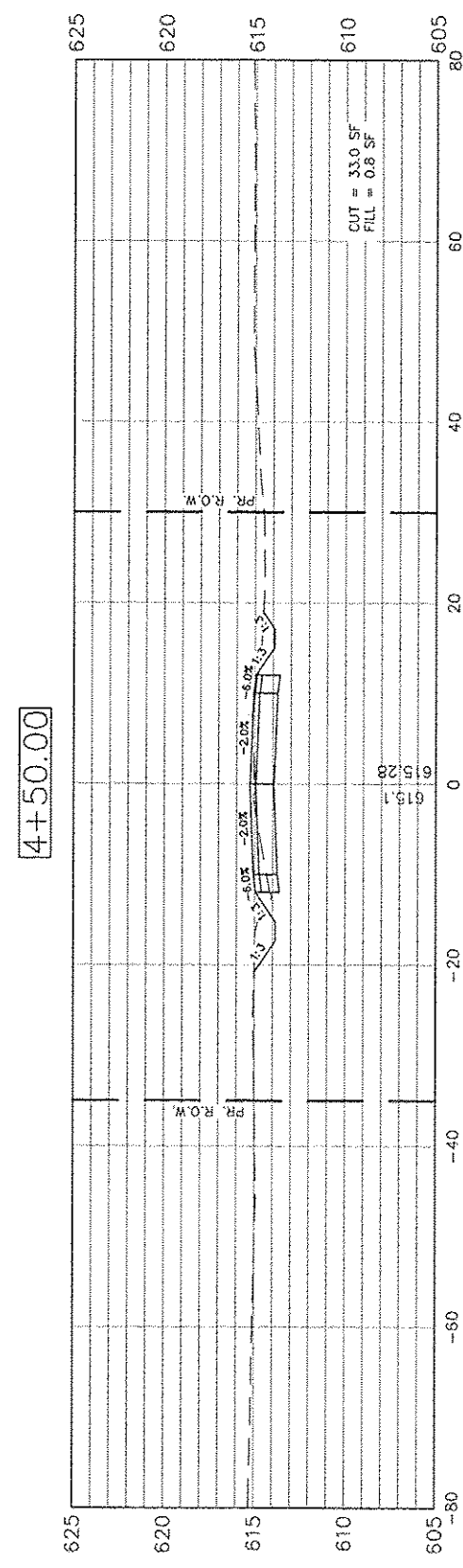
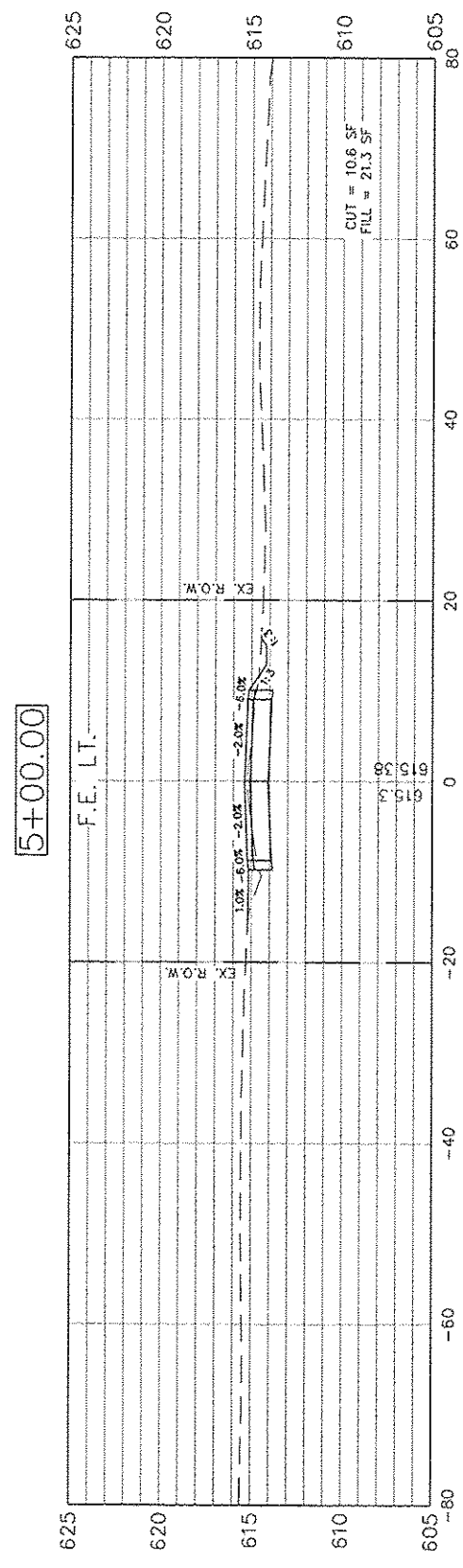
STATE OF ILLINOIS
DEPARTMENT OF TRANSPORTATION

CROSS SECTION

SCALE: 1:10 SHEET NO. 151 OF 153 SHEETS STA. 1+00 TO STA. 2+50

F.A.S. RTE.	SECTION	COUNTY	TOTAL SHEETS	SHEET NO.
748	11-00027-03-RS	JERSEY	153	151

CONTRACT NO.: 97574



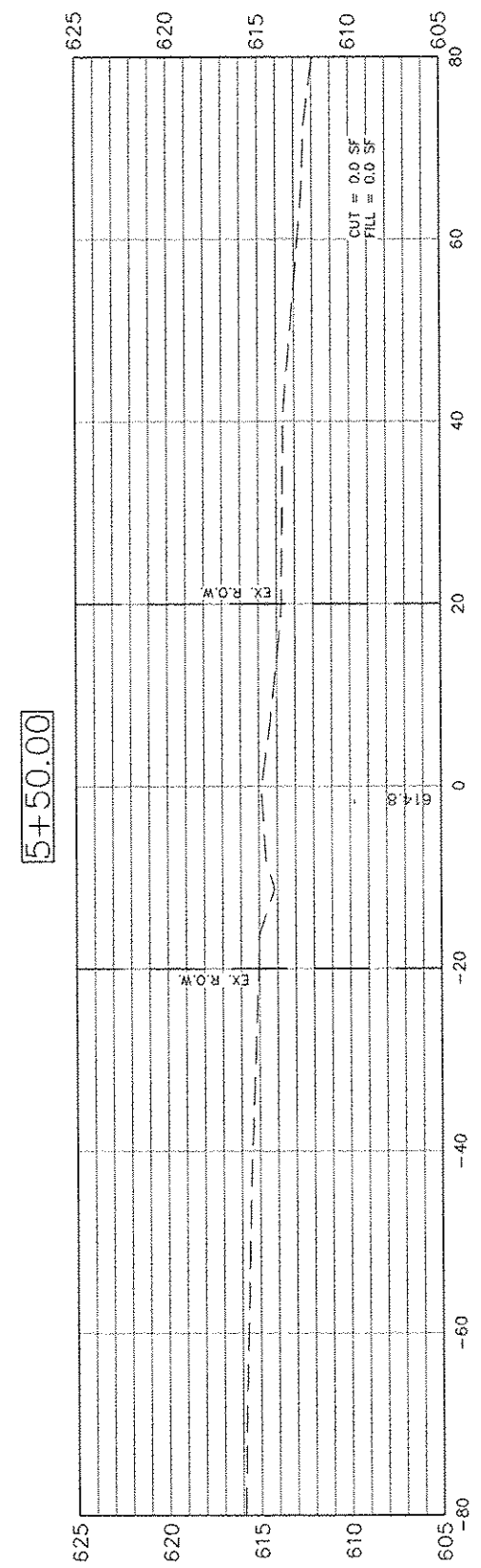
FILE NAME = 164-308	USER NAME = Horgan, Chris	DESIGNED = CAW	REVISED =
	PLOT SCALE = 1:2	DRAWN = CSH	REVISED =
	PLOT DATE = 10/21/2014	CHECKED = JAL	REVISED =
		DATE = 10/21/2014	REVISED =

**STATE OF ILLINOIS
DEPARTMENT OF TRANSPORTATION**

CROSS SECTION

SCALE: 1:10 SHEET NO. 152 OF 153 SHEETS STA. 3+00 TO STA. 5+00

F.A.S. RTE. 748	SECTION 11-00027-03-RS	COUNTY JERSEY	TOTAL SHEETS 153	SHEET NO. 152
CONTRACT NO.: 97574				



FILE NAME = 164-308	USER NAME = Horgan, Chris	DESIGNED - CAW	REVISED -
		DRAWN - CSH	REVISED -
	PLOT SCALE = 1:2	CHECKED - JAL	REVISED -
	PLOT DATE = 10/21/2014	DATE - 10/21/2014	REVISED -

STATE OF ILLINOIS
DEPARTMENT OF TRANSPORTATION

CROSS SECTION

SCALE: 1:10 SHEET NO. 153 OF 153 SHEETS STA. 5+50 TO END

F.A.S. RTE. 748	SECTION 11-00027-03-RS	COUNTY JERSEY	TOTAL SHEETS 153	SHEET NO. 153
				CONTRACT NO.: 97574
FED. ROAD DIST. NO. 8 ILLINOIS FED. AID PROJECT				