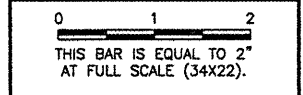


**BL065**

REVISIONS		
NUMBER	BY	DATE



BLOOMINGTON-NORMAL AIRPORT AUTHORITY  
 CENTRAL ILLINOIS REGIONAL AIRPORT  
 BLOOMINGTON, ILLINOIS

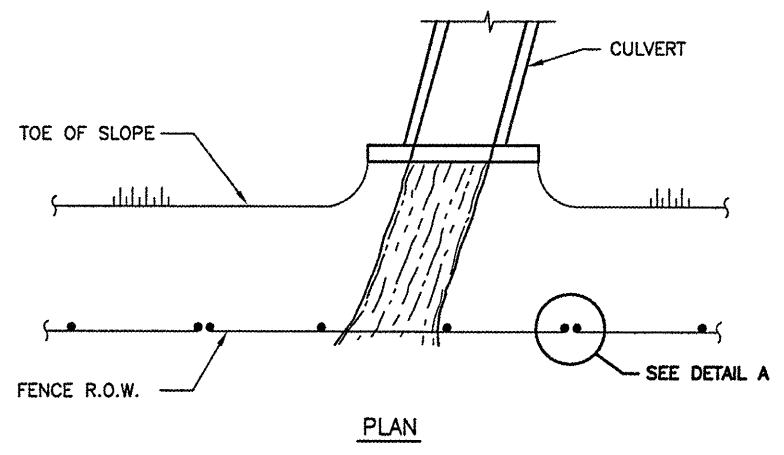
UPGRADE PERIMETER FENCE 3

FENCE DETAILS 2

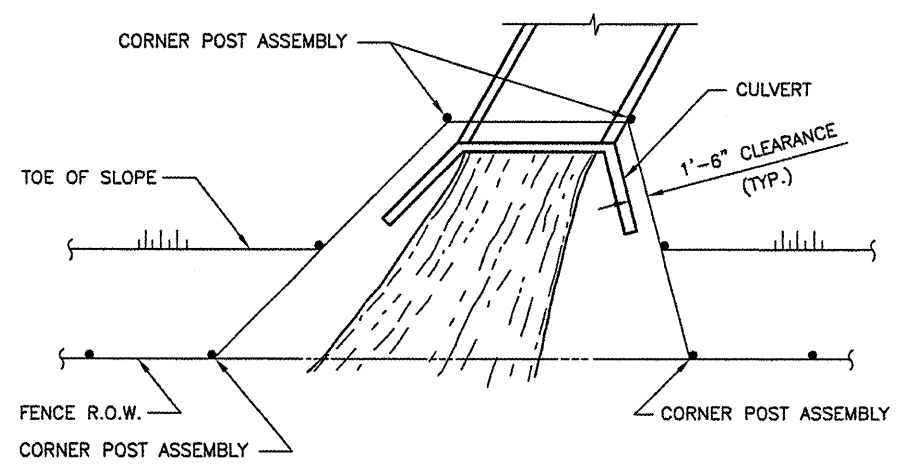
© Copyright CMT, Inc.  
**CMT**  
 CRAWFORD, MURPHY & TILLY, INC.  
 CONSULTING ENGINEERS  
 License No. 184-000613



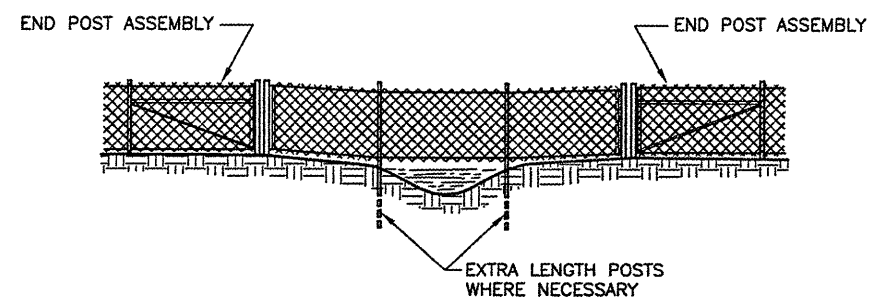
DESIGN BY:	RLV
DRAWN BY:	CMT
CHECKED BY:	<i>RLV</i>
APPROVED BY:	<i>RLV</i>
DATE:	01/1/2009
JOB No:	0808503
IL PROJ NO.	BMI-XXXX
AIP PROJ NO.	XXX
SHEET	12 OF 13 SHEETS



PLAN

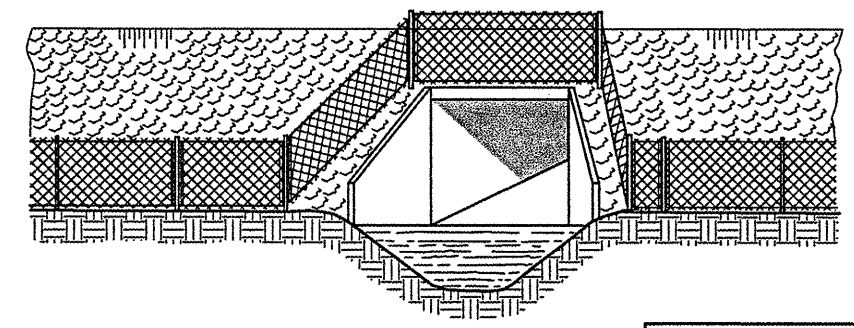


PLAN



ELEVATION

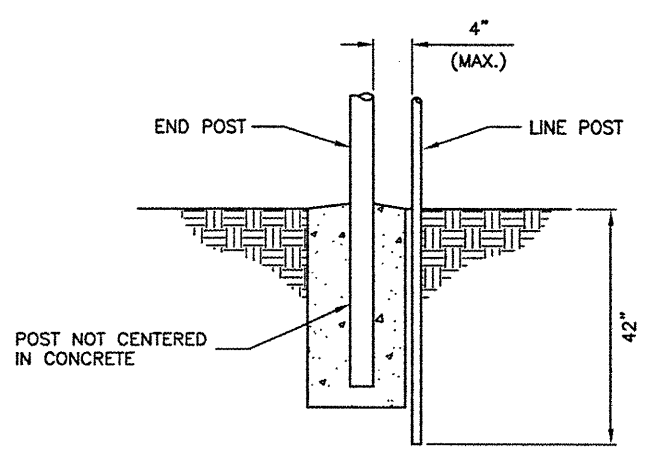
THE CHAIN LINK FABRIC SHALL BE REPLACED BY BARBED WIRE STRANDS AT 12" MAXIMUM CENTERS BETWEEN THE DOUBLE POSTS SHOWN ON DETAIL A WHEN SHOWN ON THE PLANS.



ELEVATION

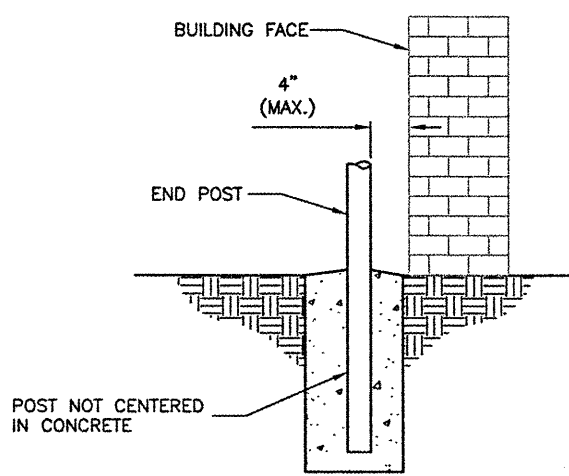
WHEN THE WIDTH OF THE CULVERT MAKES IT NECESSARY TO ANCHOR A POST TO THE TOP OF THE CULVERT, A CAST IRON SHOE OR OTHER DEVICE APPROVED BY THE ENGINEER SHALL BE USED.

**FENCE INSTALLATION AROUND HEADWALL DETAILS**  
 N.T.S.

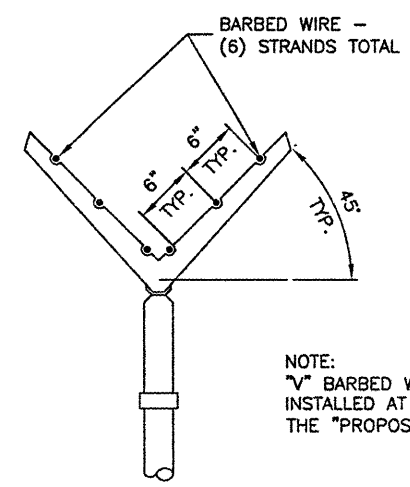


DETAIL A

**FENCE INSTALLATION OVER STREAM DETAILS**  
 N.T.S.



**FENCE INSTALLATION AT BUILDING FACE**  
 N.T.S.



**"V" BARBED WIRE ARM ON LINE POST**  
 N.T.S.

NOTE:  
 "V" BARBED WIRE ARMS SHALL BE INSTALLED AT THE LOCATIONS SHOWN ON THE "PROPOSED IMPROVEMENTS" SHEETS.