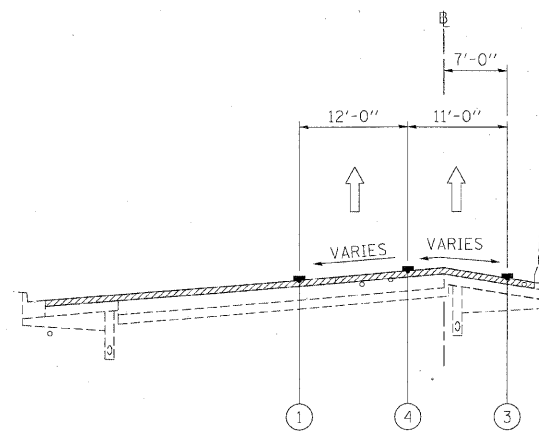


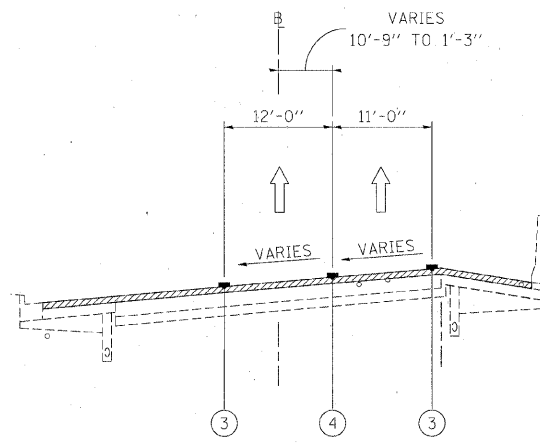
**I-88 MAINTENANCE OF TRAFFIC
TYPICAL SECTION**

STAGE 1 & 2
STA 472+17 TO STA 484+16 (EB I-88)



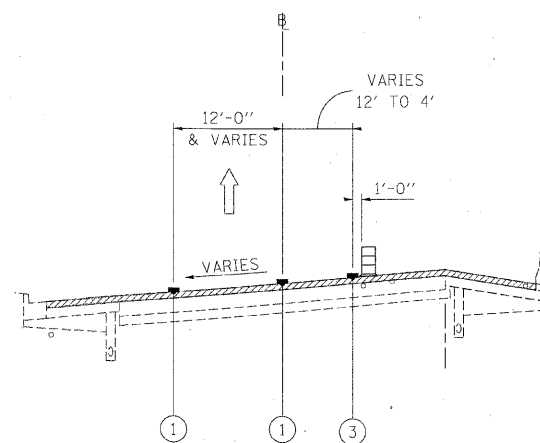
**C-D RAMP MAINTENANCE OF TRAFFIC
TYPICAL SECTION**

STAGE 1 & 2
STA 484+13 TO STA 506+82



**C-D RAMP MAINTENANCE OF TRAFFIC
TYPICAL SECTION**

STAGE 1 & 2
STA 506+82 TO STA 508+98 (EB C-D RAMP)
* TRAFFIC IS MAINTAINED ON EXISTING C-D RAMP CONFIGURATION
FROM STA 508+98 TO STA 571+29



**C-D RAMP MAINTENANCE OF TRAFFIC
TYPICAL SECTION**

STAGE 1 & 2
STA 571+29 TO STA 583+20 (EB C-D RAMP)

LEGEND

- ① EXISTING PAVEMENT MARKING
- ② WET REFLECTIVE TEMPORARY TAPE, - TYPE III, 4 INCH (YELLOW)
- ③ WET REFLECTIVE TEMPORARY TAPE, - TYPE III, 4 INCH (WHITE)
- ④ WET REFLECTIVE TEMPORARY TAPE, - TYPE III, 5 INCH (WHITE)
- ⑤ TEMPORARY PAVEMENT MARKING - LINE 6" (YELLOW) (ON BARRIER)
- ⑥ TEMPORARY PAVEMENT MARKING - LINE 6" (WHITE) (ON BARRIER)
- ⑦ WET REFLECTIVE TEMPORARY TAPE - TYPE III, 8 INCH (WHITE)
- TEMPORARY CONCRETE BARRIER
- TYPE II BARRIER, DRUM, OR VERTICAL BARRICADE WITH STEADY BURN MONODIRECTIONAL LIGHT
- WORK ZONE

FILE NAME =	DESIGNED - AJP	REVISED -	benesch	STATE OF ILLINOIS DEPARTMENT OF TRANSPORTATION	MAINTENANCE OF TRAFFIC TYPICAL SECTION - STAGE 1 & 2	F.A.I. RTE.	SECTION	COUNTY	TOTAL SHEETS	SHEET NO.
...Nrp1q_48C_C2_ml.mot.typ.st.1.X1.dgn	DRAWN - TMB	REVISED -				290	(3435, ETC., 3838)RS-5	COOK	264	69
USER NAME = tblank	CHECKED - JMM	REVISED -				CONTRACT NO. 60G52				
P-OT DATE = 1/25/2010	DATE - 1/25/10	REVISED -				SCALE: N.T.S.	SHEET NO. OF SHEETS	STA. TO STA.	FED. ROAD DIST. NO.	ILLINOIS FED. AID PROJECT