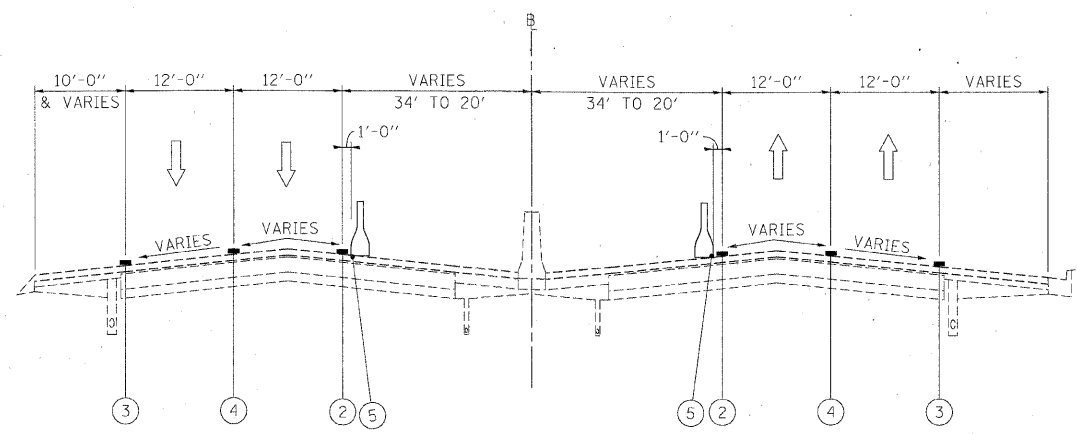


WESTBOUND
STA 590+00 TO STA 598+31

EASTBOUND
STA 589+84 TO STA 598+00

**I-290 MAINTENANCE OF TRAFFIC
TYPICAL SECTION
STAGE 2**

BRIDGE OMISSION: STA 593+29 TO 594+91



WESTBOUND
STA 598+31 TO STA 603+18

EASTBOUND
STA 598+00 TO STA 602+90

**I-290 MAINTENANCE OF TRAFFIC
TYPICAL SECTION
STAGE 2**

- LEGEND**
- ① EXISTING PAVEMENT MARKING
 - ② WET REFLECTIVE TEMPORARY TAPE, - TYPE III, 4 INCH (YELLOW)
 - ③ WET REFLECTIVE TEMPORARY TAPE, - TYPE III, 4 INCH (WHITE)
 - ④ WET REFLECTIVE TEMPORARY TAPE, - TYPE III, 5 INCH (WHITE)
 - ⑤ TEMPORARY PAVEMENT MARKING - LINE 6" (YELLOW) (ON BARRIER)
 - ⑥ TEMPORARY PAVEMENT MARKING - LINE 6" (WHITE) (ON BARRIER)
 - ⑦ WET REFLECTIVE TEMPORARY TAPE - TYPE III, 8 INCH (WHITE)
 - TEMPORARY CONCRETE BARRIER
 - TYPE II BARRIER, DRUM, OR VERTICAL BARRICADE WITH STEADY BURN MONODIRECTIONAL LIGHT
 - WORK ZONE

FILE NAME =	DESIGNED - AJP	REVISED -
...prp\in\80C.D2.ml.mot.ty.st.2.06.dgn	DRAWN - TMB	REVISED -
USER NAME = tblank	CHECKED - JJT	REVISED -
PLOT DATE = 1/25/2010	DATE - 1/25/10	REVISED -

benesch

**STATE OF ILLINOIS
DEPARTMENT OF TRANSPORTATION**

**MAINTENANCE OF TRAFFIC
TYPICAL SECTION - STAGE 2**

SCALE: SHEET NO. 31 OF 62 SHEETS STA. TO STA.

F.A.I. RTE.	SECTION	COUNTY	TOTAL SHEETS	SHEET NO.
290	(3435, ETC., 3838)RS-5	COOK	264	95
FED. ROAD DIST. NO. ILLINOIS FED. AID PROJECT			CONTRACT NO. 60C52	