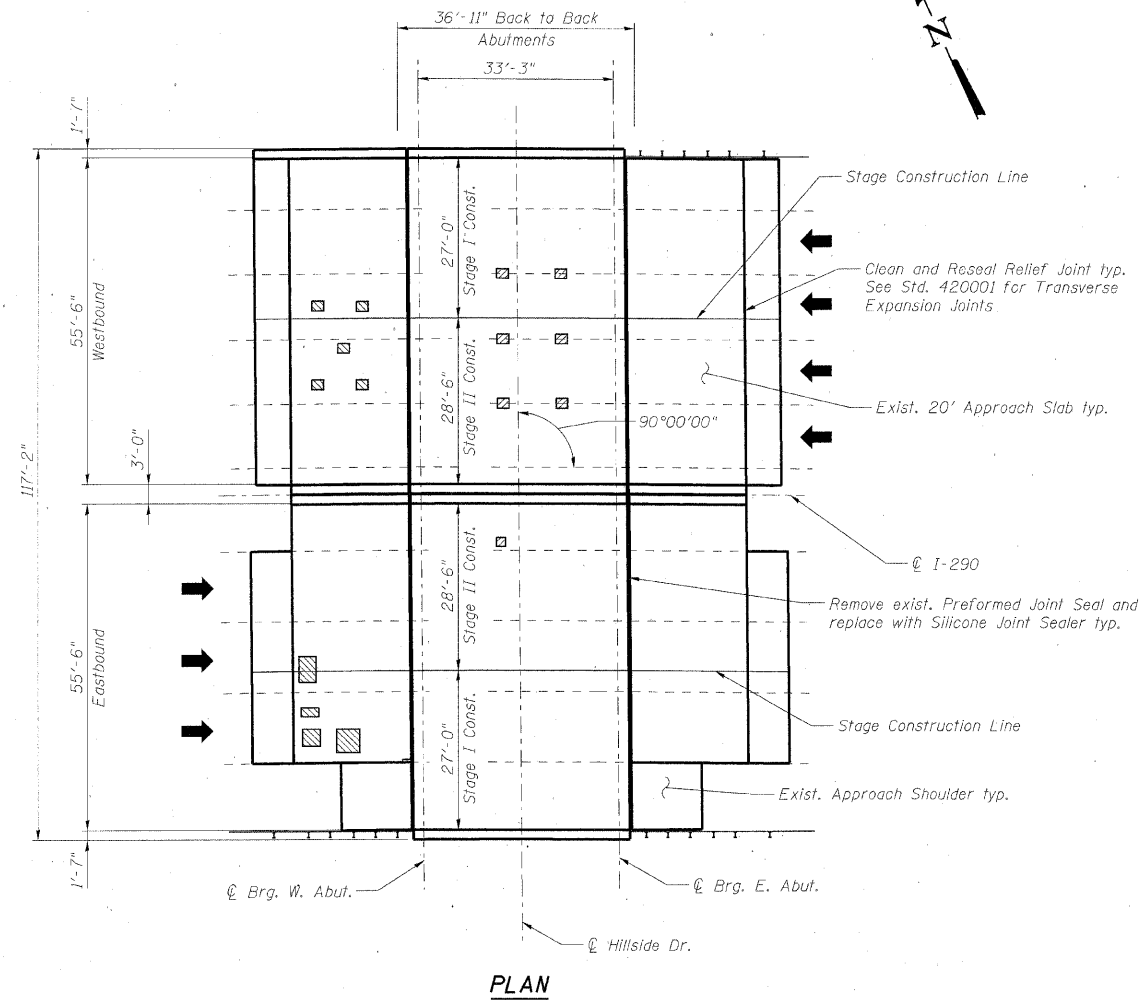
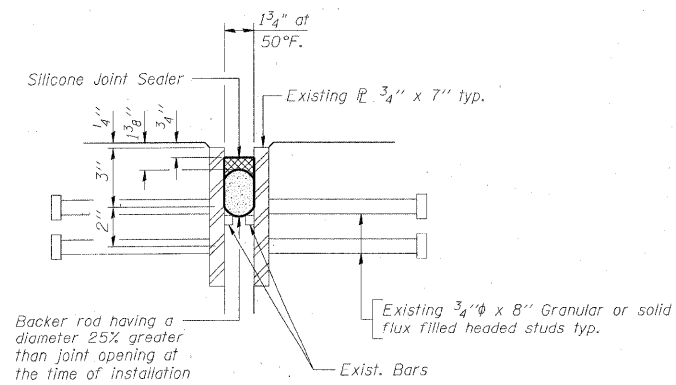


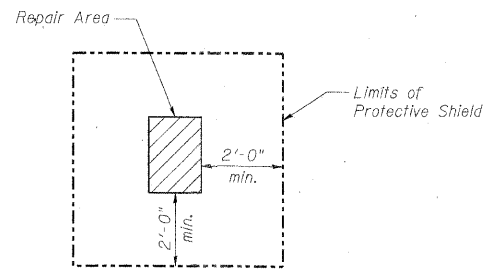
STATE OF ILLINOIS  
DEPARTMENT OF TRANSPORTATION



PLAN



SILICONE JOINT SEALER DETAIL



PROTECTIVE SHIELD DETAIL

BILL OF MATERIAL

Symbol	Item	Unit	Quantity
	Deck Slab Repair (Partial)	Sq. Yd.	10.0
	Approach Slab Repair (Partial Depth)	Sq. Yd.	20.0
	Protective Shield	Sq. Yd.	85
	Silicone Joint Sealer	Foot	222.0

Notes:

- Deck and approach slab repair areas are estimated based on visual inspection completed in June 2009. Actual repair areas and locations shall be determined by the Engineer in the field and shown on the As-Built plans.
- Protective Shield, required for deck slab and/or parapet repairs, shall be installed according to Article 501.03 of the Standard Specifications. For limits of Protective Shield, see Protective Shield Detail on this sheet and Elevation on General Plan and Elevation detail.
- Existing Preformed Joint Seal shall be removed and all surfaces cleaned prior to installation of Silicone Joint Sealer. Cost included in Silicone Joint Sealer.

DESIGNED	DMS
CHECKED	EPS
DRAWN	RMG
CHECKED	KJN

BRIDGE DECK  
AND APPROACH SLAB REPAIRS  
STRUCTURE NO. 016-0986

benesch

alfred benesch & company  
Engineers • Surveyors • Planners  
205 North Michigan Avenue, Suite 2400  
Chicago, Illinois 60601  
312-565-0450 Job No. 10050

SHEET NO. 4	F.A.I. RTE.	SECTION	COUNTY	TOTAL SHEETS	SHEET NO.
5 SHEETS	290	(3435, ETC., 3838)RS-5	COOK	264	218
			CONTRACT NO. 60G52		
FED. ROAD DIST. NO.		ILLINOIS	FED. AID PROJECT		