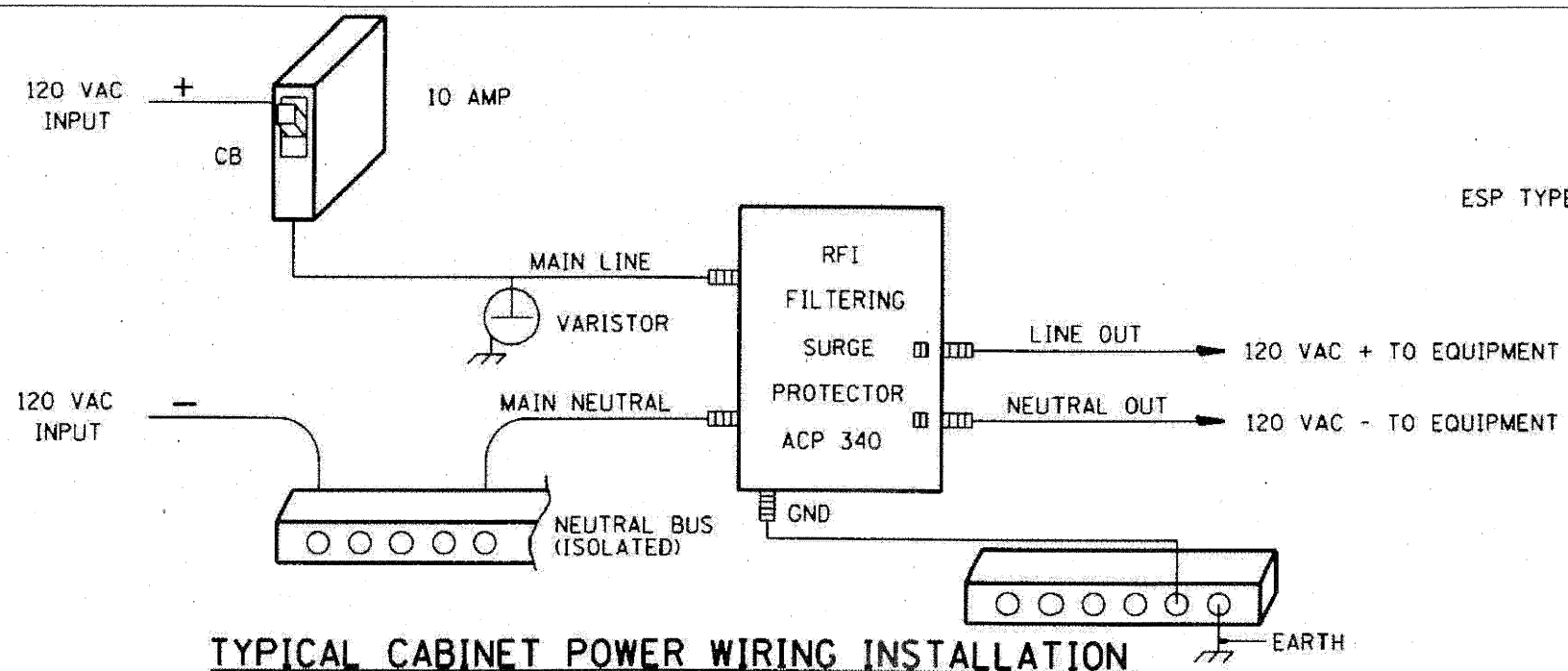
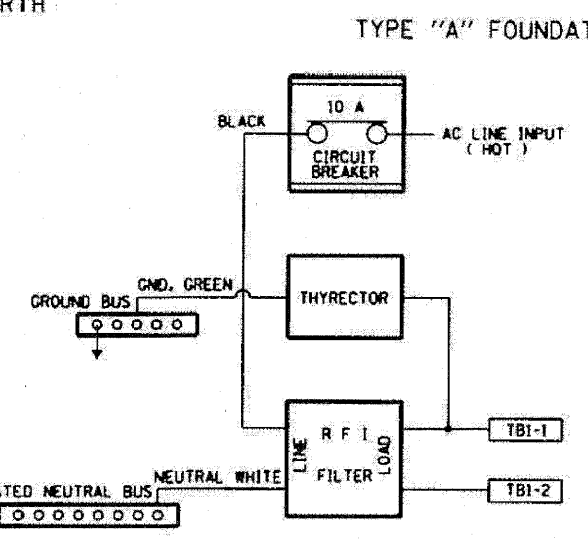
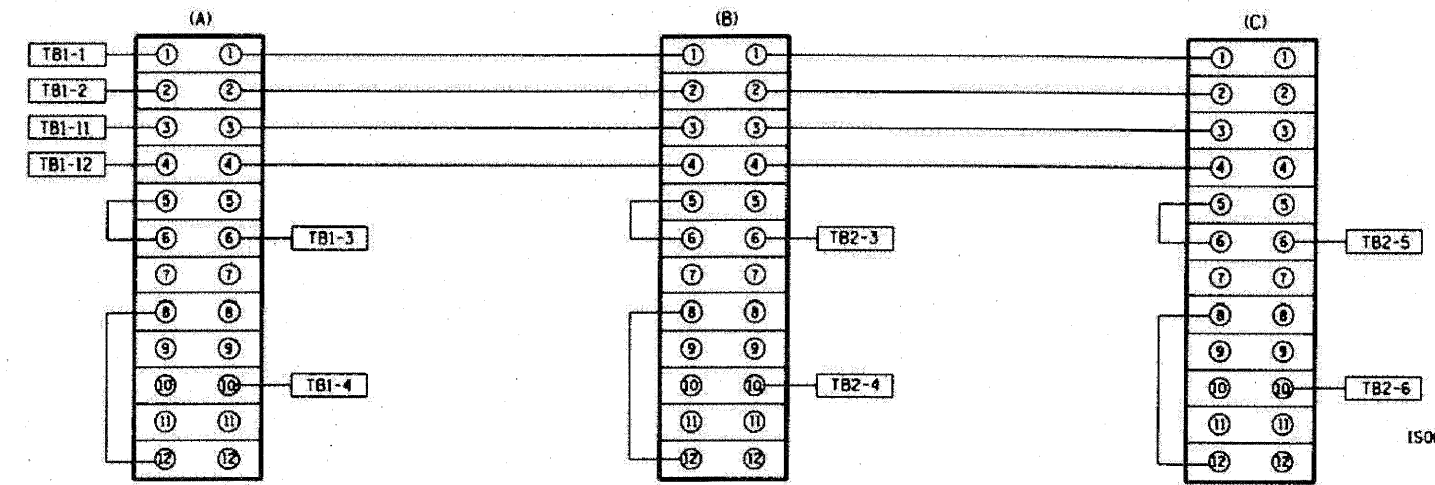


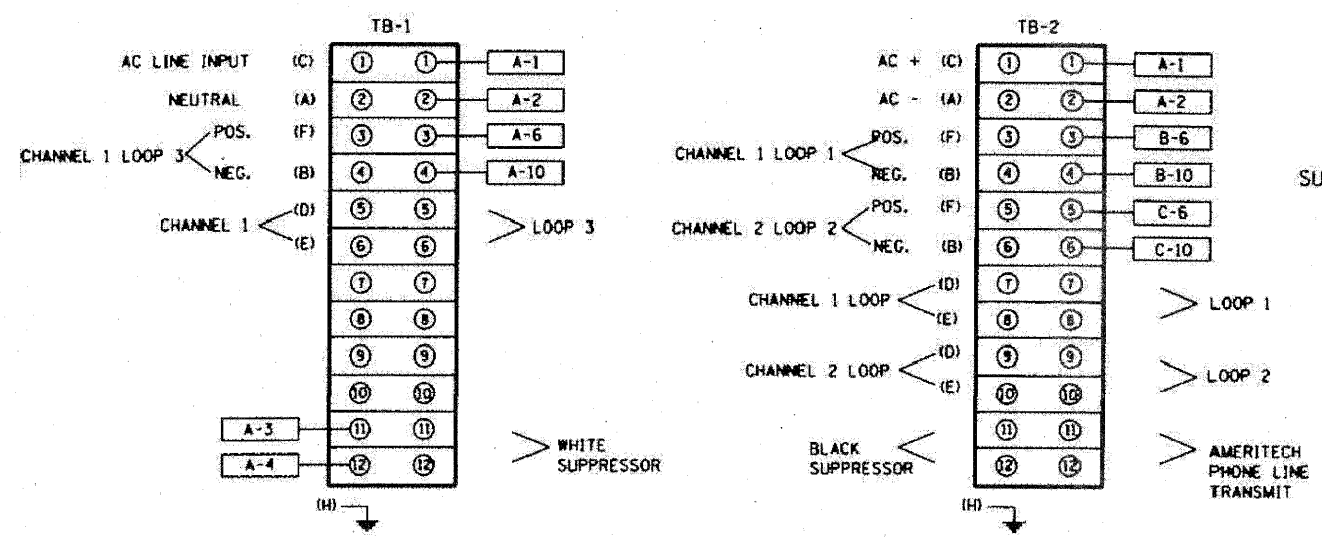
F.A. RTE.	SECTION	COUNTY	TOTAL SHEETS	SHEET NO.
STA. _____ TO STA. _____				
FED. ROAD DIST. NO. _____		ILLINOIS FED. AID PROJECT _____		



TYPICAL CABINET POWER WIRING INSTALLATION



TYPE 2 CABINET INSTALLATION



REVISIONS	
NO.	DATE

ILLINOIS DEPARTMENT OF TRANSPORTATION
TRAFFIC SYSTEMS CENTER
TYPE II CABINET WIRING

SCALE: NONE
DATE: 6-21-94
DRAWN BY: G.M.
CHECKED BY: T.C.

TRAFFIC SYSTEMS CENTER (TY-1TSC-400#5)

FILE NAME =	DESIGNED - GHT	REVISED -
...NrpLn_ABC_C2_TS_DET_04.dgn	DRAWN - TMB	REVISED -
USER NAME = tblank	CHECKED - MPM	REVISED -
PLOT DATE = 1/25/2010	DATE - 1/25/10	REVISED -

benesch

STATE OF ILLINOIS
DEPARTMENT OF TRANSPORTATION

TRAFFIC SYSTEMS CENTER
DETAIL SHEETS

SCALE: N.T.S.	SHEET NO. 4 OF 16 SHEETS	STA. _____ TO STA. _____
---------------	--------------------------	--------------------------

F.A. RTE.	SECTION	COUNTY	TOTAL SHEETS	SHEET NO.
290	13435, ETC., 3838RS-5	COOK	264	236
FED. ROAD DIST. NO. _____		ILLINOIS FED. AID PROJECT _____		