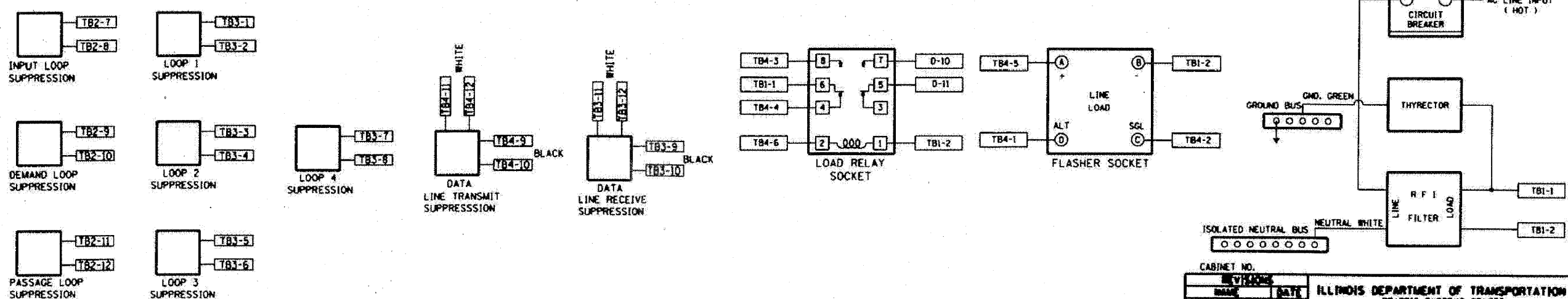
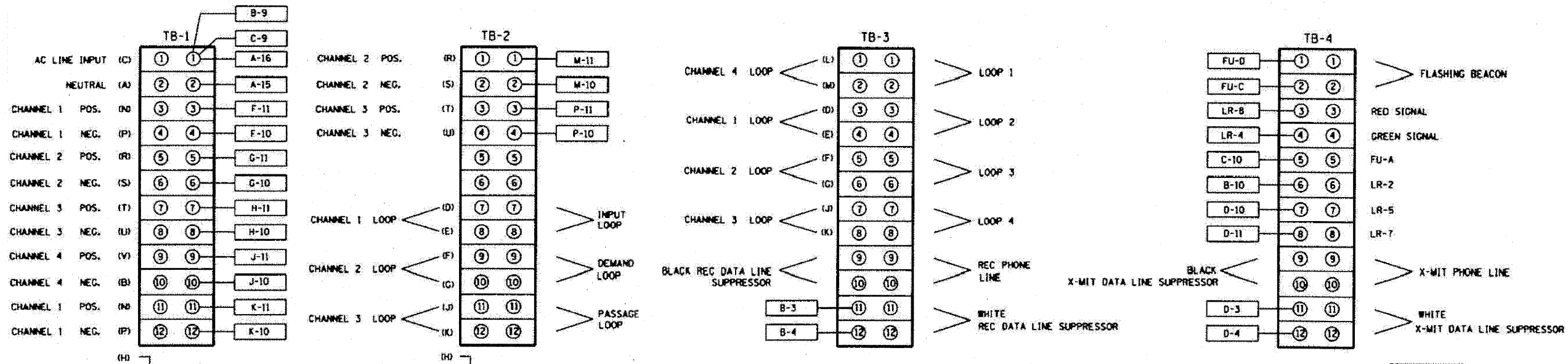
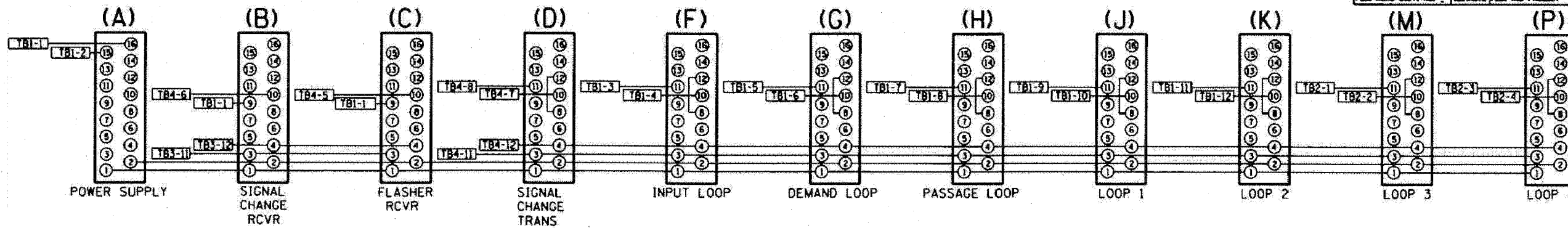


BACK VIEW OF TONE RACK

F.A. RTE.	SECTION	COUNTY	TOTAL SHEETS	SHEET NO.
STA.	TO STA.			
FED. ROAD DIST. NO.	ILLINOIS FED. AID PROJECT			



CABINET NO.		REVISIONS	
DATE	BY	DATE	BY
6/94	T.C.	6/94	T.C.
3/99	R.L.	8/99	R.L.
ILLINOIS DEPARTMENT OF TRANSPORTATION TRAFFIC SYSTEMS CENTER		SCALE: NOT NONE	
METERING CABINET WIRING DIAGRAM		DATE: 6/21/94	
DRAWN BY: G.L.		CHECKED BY: T.C.	

TRAFFIC SYSTEMS CENTER (TY-ITSC-400#8)

FILE NAME =	DESIGNED - GHT	REVISED -
...Nprph_ABC_C2_TS_DET_05.dgn	DRAWN - TMB	REVISED -
USER NAME = tclark	CHECKED - MPM	REVISED -
PLOT DATE = 1/25/2018	DATE - 1/25/10	REVISED -

benesch

STATE OF ILLINOIS
DEPARTMENT OF TRANSPORTATION

TRAFFIC SYSTEMS CENTER DETAIL SHEETS	
SCALE: N.T.S.	SHEET NO. 5 OF 16 SHEETS
STA.	TO STA.

F.A. RTE.	SECTION	COUNTY	TOTAL SHEETS	SHEET NO.
290	(3435, ETC., 3838)RS-5	COOK	264	237
FED. ROAD DIST. NO.		ILLINOIS FED. AID PROJECT		
		CONTRACT NO. 60G52		