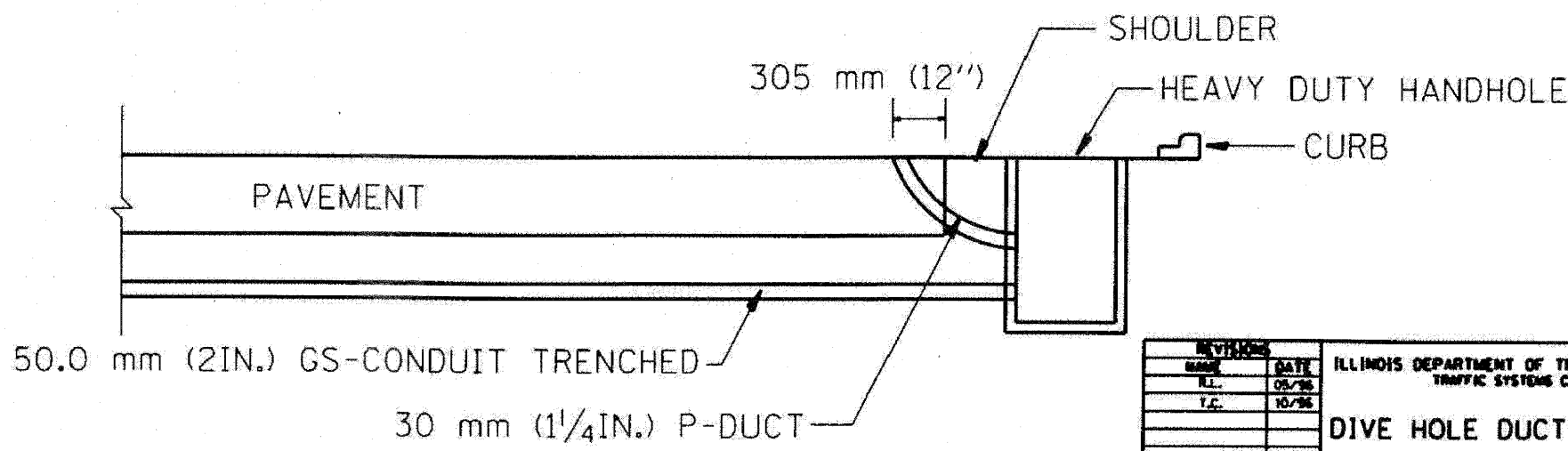
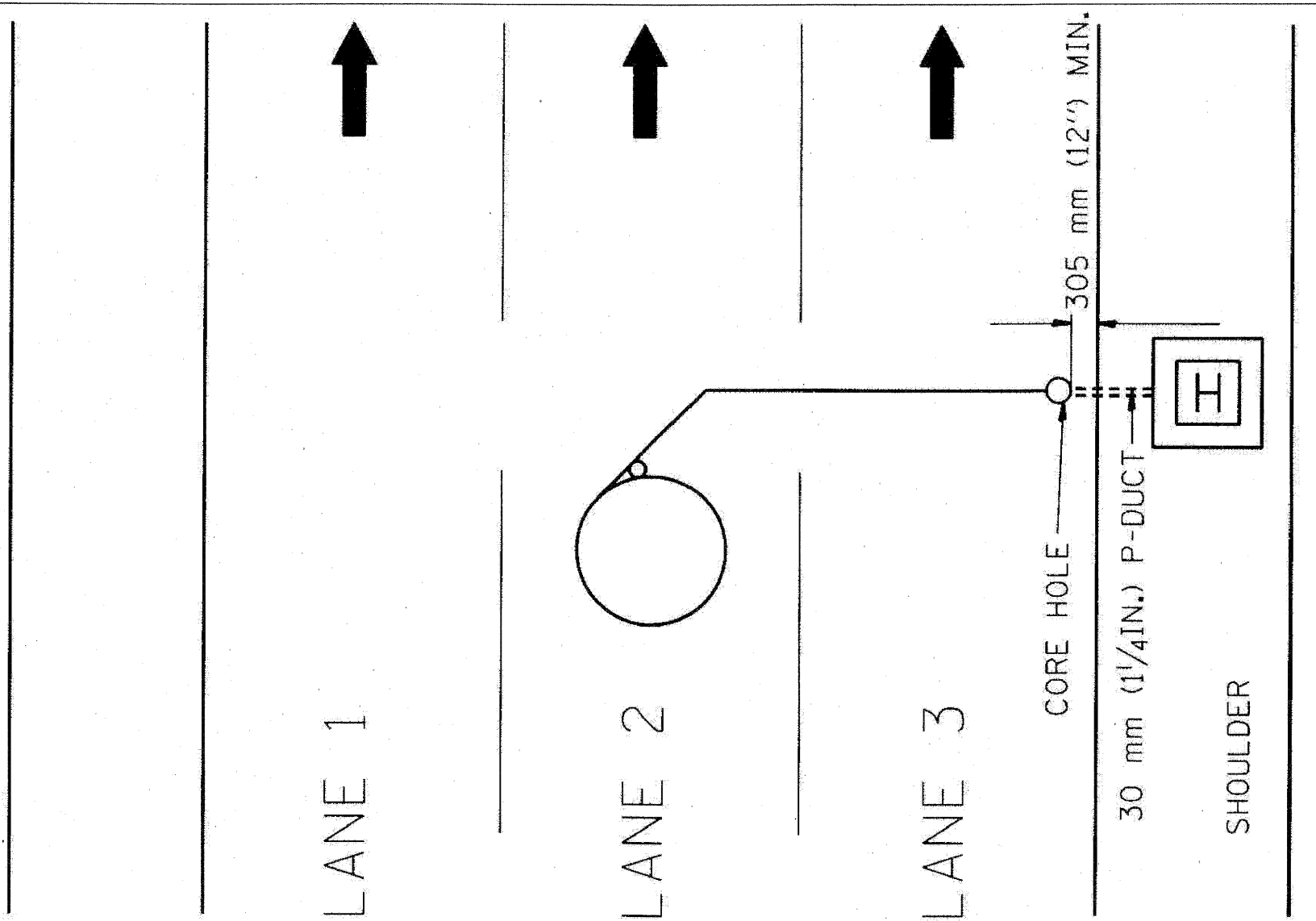


F.A.J. RTE.	SECTION	COUNTY	TOTAL SHEETS	SHEET NO.
STA.	TO STA.			
FED. ROAD DIST. NO.	ILLINOIS FED. AID PROJECT			



REVISED	
NAME	DATE
R.L.	05/98
T.C.	10/98

ILLINOIS DEPARTMENT OF TRANSPORTATION
 TRAFFIC SYSTEMS CENTER
DIVE HOLE DUCT SYSTEM
 SCALE: VERT. NONE
 HORIZ. NONE
 DATE 11/7/98
 DRAWN BY G.A.L.
 CHECKED BY R.L.

TRAFFIC SYSTEMS CENTER (TY-1TSC-418*8)

FILE NAME =	DESIGNED - GHT	REVISED -
...p...h_ABC_C2_TS_DET113.dgn	DRAWN - TMB	REVISED -
USER NAME = tblank	CHECKED - MPM	REVISED -
PLOT DATE = 1/25/2012	DATE - 1/25/10	REVISED -

benesch

STATE OF ILLINOIS
 DEPARTMENT OF TRANSPORTATION

TRAFFIC SYSTEMS CENTER
 DETAIL SHEETS

SCALE: N.T.S. SHEET NO. 13 OF 16 SHEETS STA. TO STA.

F.A.J. RTE.	SECTION	COUNTY	TOTAL SHEETS	SHEET NO.
290	(3435, ETC., 3838)RS-5	COOK	264	245
FED. ROAD DIST. NO.	ILLINOIS FED. AID PROJECT		CONTRACT NO. 60G52	