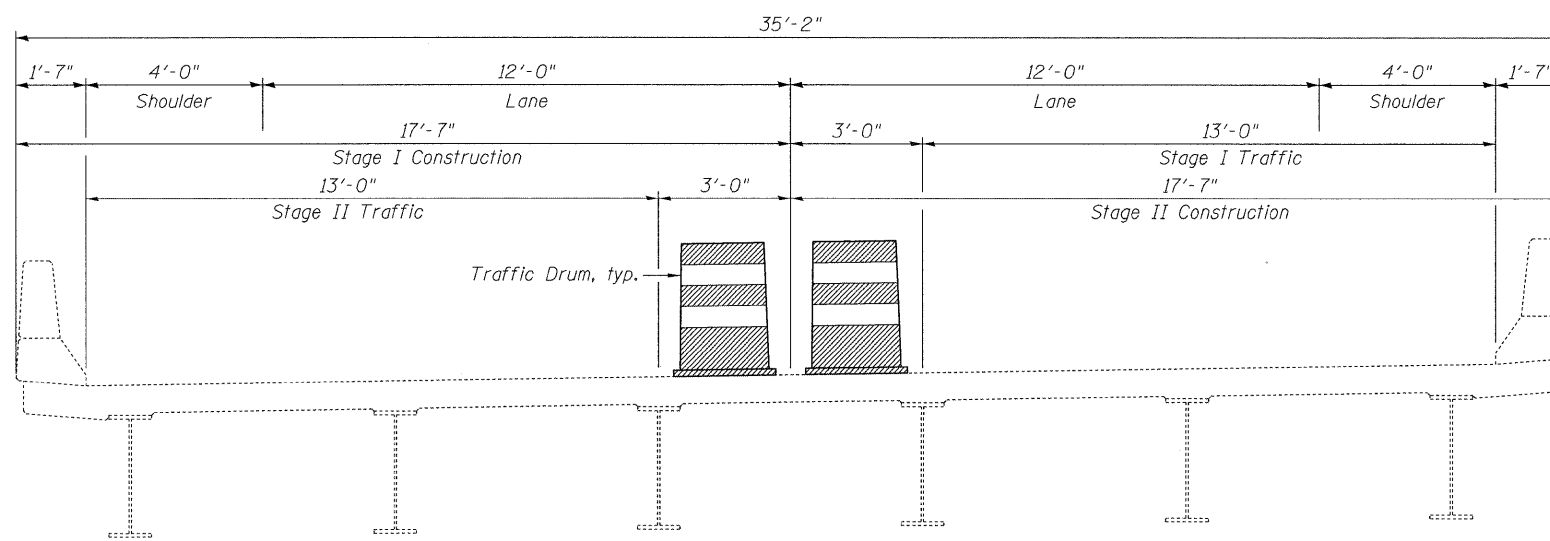


GENERAL NOTES

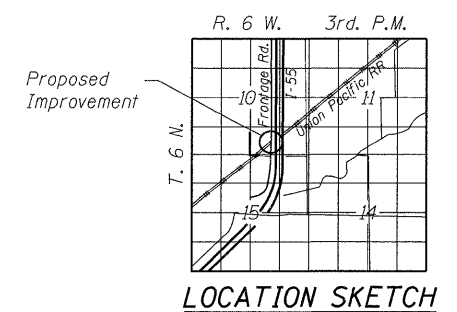
A Concrete Sealer shall be applied to the surfaces of the deck and parapets (See Special Provisions for BRIDGE DECK CONCRETE SEALER). Existing pavement markings shall be temporarily covered prior to application of the deck surface treatment, to prevent the material from being applied over the markings. The temporary covering shall be removed after the application of the deck surface treatment and prior to opening to traffic. Cost included with Concrete Sealer.

TOTAL BILL OF MATERIALS

ITEM	Unit	Super	Sub	Total
Concrete Sealer	Sq. Ft.	8,031		8,031



CROSS SECTION



LOCATION SKETCH

GENERAL PLAN
I-55 FR #1836 OVER UNION PACIFIC RR
SECTION D8 BRIDGE DECK 2011-4
MADISON COUNTY
STATION 219+90.33
STRUCTURE NO. 060-0004

CB Coombe-Bloxdorf P.C.
 - CIVIL ENGINEERS -
 - STRUCTURAL ENGINEERS -
 - LAND SURVEYORS -
 Design Firm License No. 184-002703

PROJECT NO. 09025-4
 SCALE
 DATE 8/16/10
 DESIGN BY MCB
 DRAWN BY CFC/MMML
 CHECKED BY

SHEET NO. 1
 23 SHEETS

F.A. RTE.	SECTION	COUNTY	TOTAL SHEETS	SHEET NO.
VAR.	DIST 8 BRIDGE DECK 2011-4	MADISON	29	7
		CONTRACT NO. 76E44		
FED. ROAD DIST. NO.	ILLINOIS	FED. AID PROJECT		