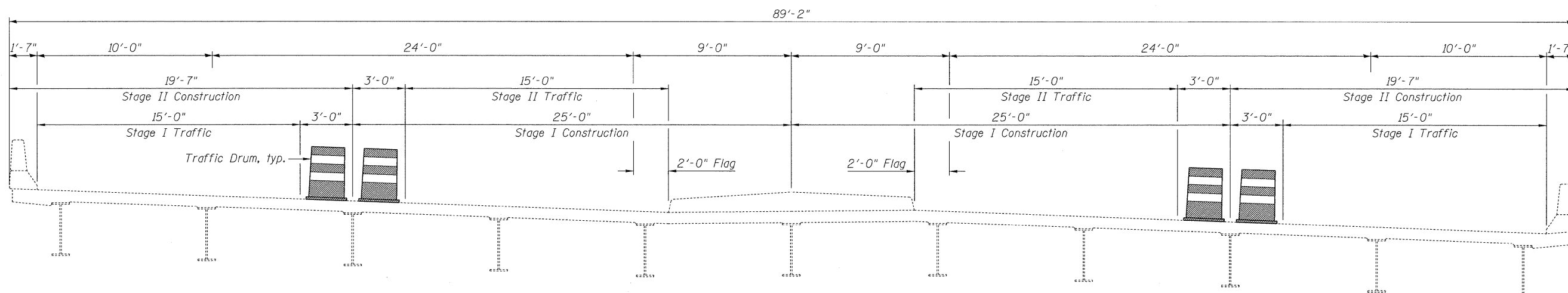


CURVE DATA

P.I. = Sta. 65+01.375
 Δ = 50°25'31" Rt.
 D = 6°00'00"
 T = 449.61'
 L = 840.42'
 E = 100.55'
 R = 954.93'
 S.E. = 0.036%
 P.C. = Sta. 60+51.76
 P.T. = Sta. 68+92.18



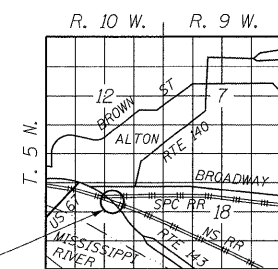
GENERAL NOTES

A Concrete Sealer shall be applied to the surfaces of the deck, median and parapets (See Special Provisions for BRIDGE DECK CONCRETE SEALER).

Existing pavement markings shall be temporarily covered prior to application of the deck surface treatment, to prevent the material from being applied over the markings. The temporary covering shall be removed after the application of the deck surface treatment and prior to opening to traffic. Cost included with Concrete Sealer.

TOTAL BILL OF MATERIAL

ITEM	UNIT	SUPER	SUB	TOTAL
Concrete Sealer	Sq. Ft.	18,385		18,385



GENERAL PLAN
 IL RTE. 143 OVER NS & SPC RAILROAD
 F.A.P. RTE. 2
 SECTION DIST. 8 BRIDGE DECK 2011-4
 MADISON COUNTY
 STATION 67+28.27
 STRUCTURE NUMBER 060-0256

CB Coombe-Bloxdorf P.C.
 -CIVIL ENGINEERS-
 -STRUCTURAL ENGINEERS-
 -LAND SURVEYORS-
 Design Firm License No. 184-002703

PROJECT NO. 09025-4
 SCALE
 DATE 8/16/10
 DESIGN BY MCB
 DRAWN BY CFC/MMML
 CHECKED BY

SHEET NO. 16
 23 SHEETS

F.A.P. RTE.	SECTION	COUNTY	TOTAL SHEETS	SHEET NO.
VAR.	DIST 8 BRIDGE DECK 2011-4	MADISON	29	22
CONTRACT NO. 76E44				
FED. ROAD DIST. NO. ILLINOIS FED. AID PROJECT				