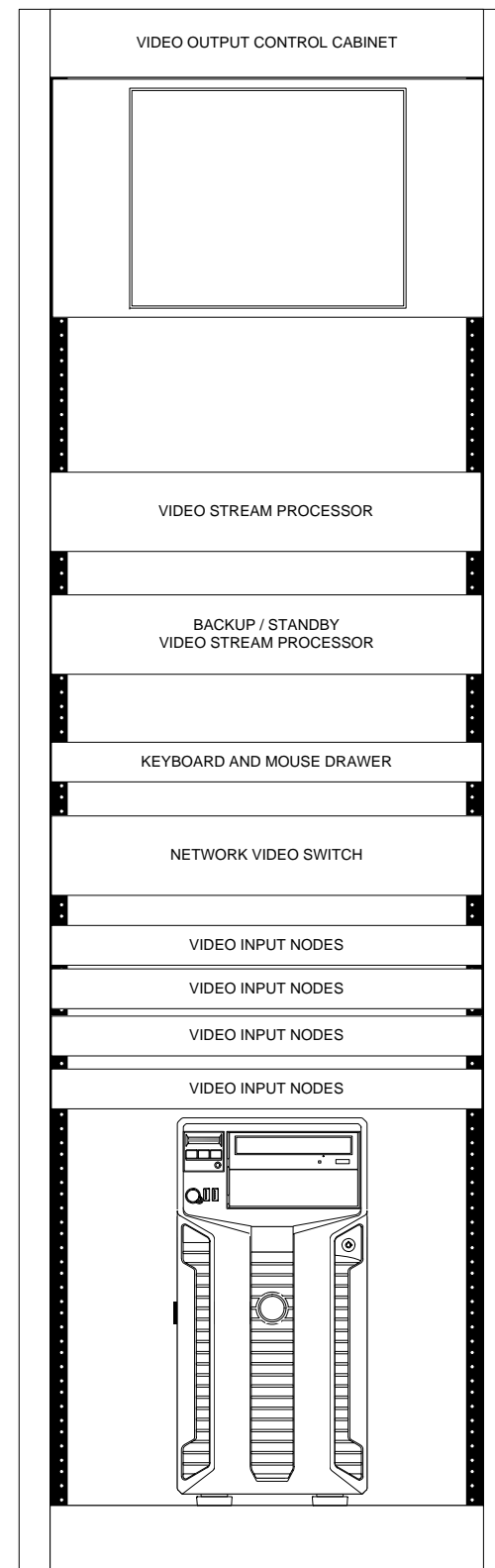


PROPOSED EQUIPMENT INCLUDING CABINET



LCD RACK MOUNT MONITOR

RACK MOUNT COMPUTER KEYBOARD WITH SLIDING SHELF

PROPOSED VIDEO CONTROL WORKSTATION

NOTES:

THE CONTRACTOR SHALL NOT SCALE OFF THE DRAWING, ACTUAL MEASUREMENTS SHALL BE TAKEN.

NOT ALL REQUIRED EQUIPMENT OR INTERCONNECTIONS ARE SHOWN FOR CLARITY.

FILE NAME	USER NAME	DESIGNED	REVISED
		DRAWN	REVISED
	PLOT SCALE NONE	CHECKED	REVISED
	PLOT DATE	DATE 5/15/2013	REVISED

STATE OF ILLINOIS
DEPARTMENT OF TRANSPORTATION

D1 H.Q. EQUIPMENT ROOM
PROPOSED VIDEO OUTPUT LINE UP

F.A. RTE.	SECTION	COUNTY	TOTAL SHEETS	SHEET NO.
	2009-0871	COOK	25	13
CONTRACT NO. 60134				
ILLINOIS FED. AID PROJECT				

SCALE: _____ SHEET NO. ___ OF ___ SHEETS STA. _____ TO STA. _____