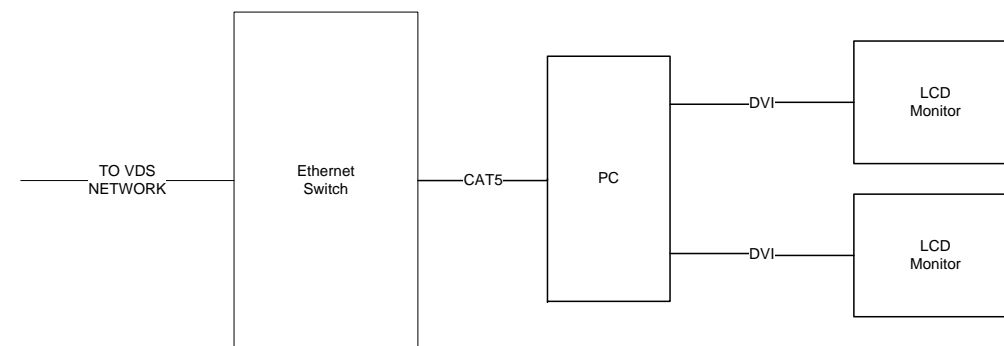


CODEC/MONITOR  
CONFIGURATION AS  
REQUIRED

VIDEO DISTRIBUTION SYSTEM  
WORKSTATION TYPE A



VIDEO DISTRIBUTION SYSTEM  
WORKSTATION TYPE B

FILE NAME	USER NAME	DESIGNED	REVISED
		DRAWN	REVISED
	PLOT SCALE NONE	CHECKED	REVISED
	PLOT DATE	DATE 5/15/2013	REVISED

STATE OF ILLINOIS  
DEPARTMENT OF TRANSPORTATION

VIDEO DISTRIBUTION SYSTEM  
VIDEO WORKSTATIONS

SCALE: \_\_\_\_\_ SHEET NO. \_\_\_ OF \_\_\_ SHEETS STA. \_\_\_\_\_ TO STA. \_\_\_\_\_

F.A. RTE.	SECTION	COUNTY	TOTAL SHEETS	SHEET NO.
	2009-0871	COOK	25	16
CONTRACT NO. 60134				
ILLINOIS FED. AID PROJECT				