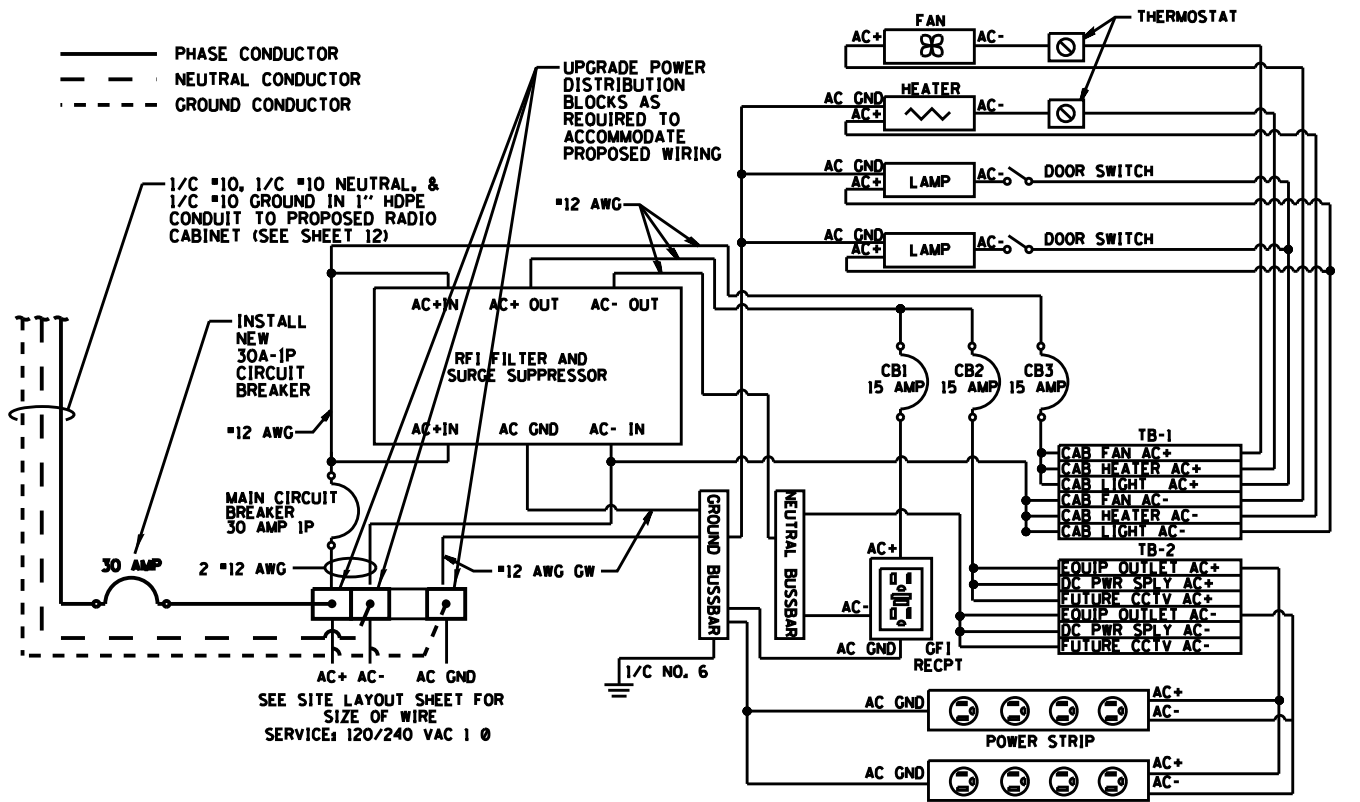


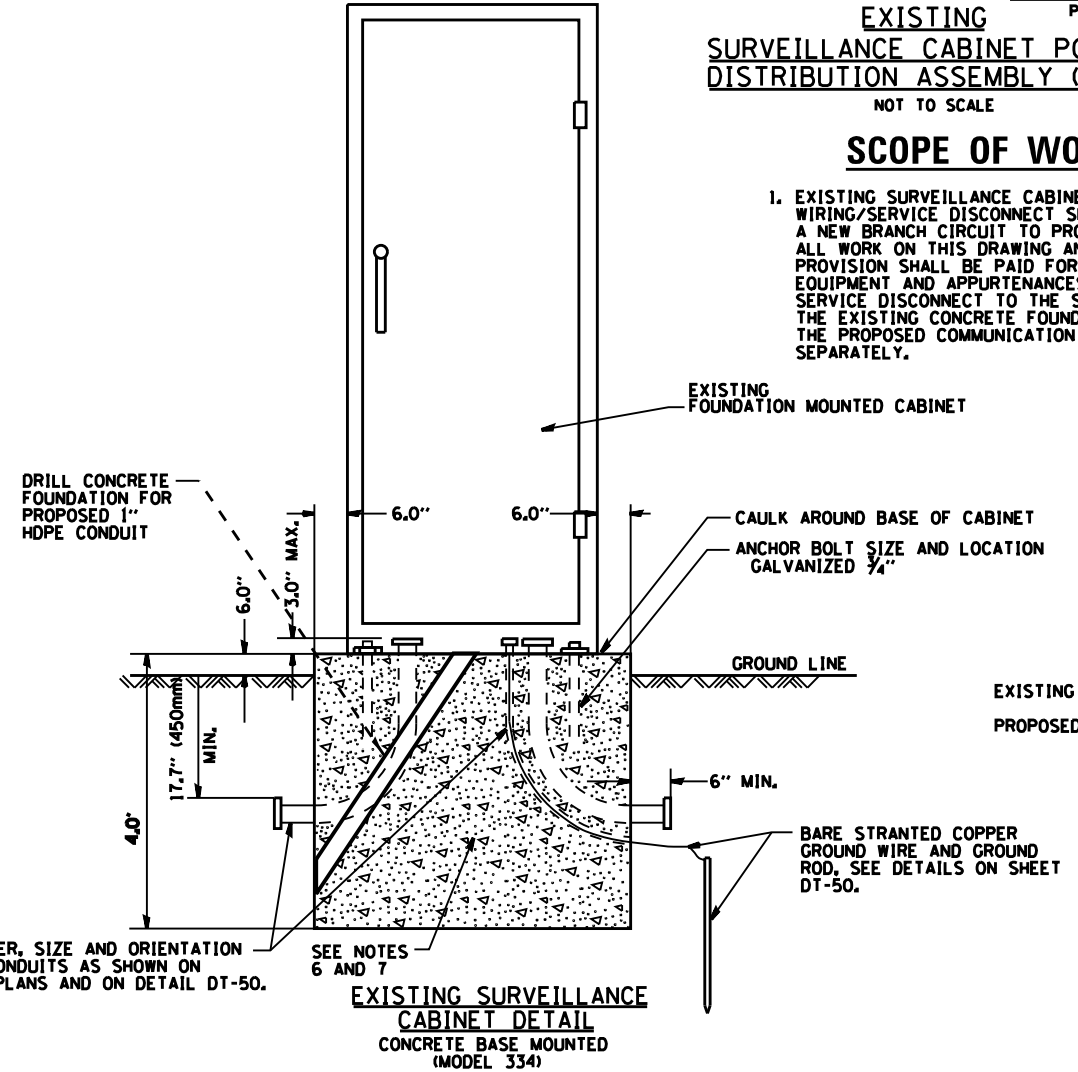
**EXISTING 120V ELECTRIC SERVICE TO SURVEILLANCE CABINET**



**EXISTING SURVEILLANCE CABINET POWER DISTRIBUTION ASSEMBLY (PDA)**  
NOT TO SCALE

**SCOPE OF WORK**

- EXISTING SURVEILLANCE CABINET AND ASSOCIATED SERVICE WIRING/SERVICE DISCONNECT SHALL BE MODIFIED TO PROVIDE A NEW BRANCH CIRCUIT TO PROPOSED COMMUNICATIONS CABINET. ALL WORK ON THIS DRAWING AND IN THE RELATED SPECIAL PROVISION SHALL BE PAID FOR UNDER "MODIFY EXISTING CABINET EQUIPMENT AND APPURTENANCES", INCLUDING ALL WIRING FROM THE SERVICE DISCONNECT TO THE SURVEILLANCE CABINET, DRILLING THE EXISTING CONCRETE FOUNDATION AND CONDUIT/WIRING TO THE PROPOSED COMMUNICATION CABINET WILL BE PAID FOR SEPARATELY.



**EXISTING SURVEILLANCE CABINET DETAIL**  
CONCRETE BASE MOUNTED (MODEL 534)

FILE NAME : #FILES	USER NAME : #USERS	DESIGNED <i>R.T.</i>	REVISED -
		DRAWN <i>G.M.</i>	REVISED -
		CHECKED <i>R.T.</i>	REVISED -
		DATE <i>12/11/2013</i>	REVISED -

**STATE OF ILLINOIS  
DEPARTMENT OF TRANSPORTATION**

**ITS CENTER-TO-CENTER INTEGRATION PROJECT**  
**DETAILS (2 OF 3)**

SCALE: *N.T.S.* SHEET NO.  OF  SHEETS STA.  TO STA.

F.A. RTE.	SECTION 2009-0871	COUNTY COOK	TOTAL SHEETS 25	SHEET NO. 23
			CONTRACT NO. <i>60134</i>	
ILLINOIS FED. AID PROJECT				