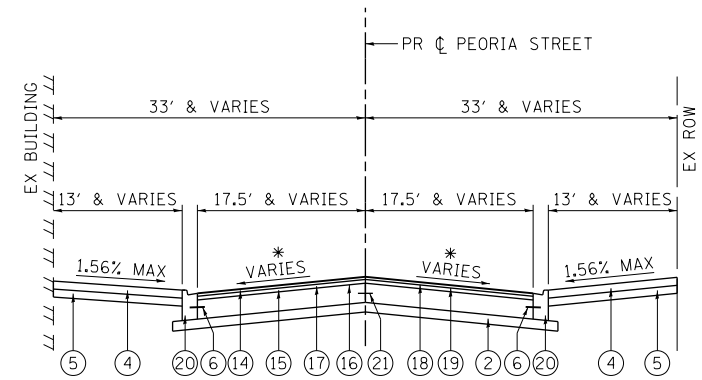
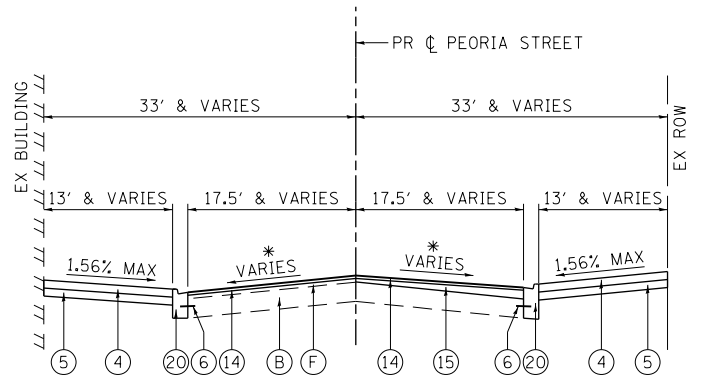


A



**PROPOSED TYPICAL SECTION**

STA 3706+61.25 TO STA 3706+90.99



**PROPOSED TYPICAL SECTION**

STA 3706+90.99 TO STA 3707+45.28

**EXISTING**

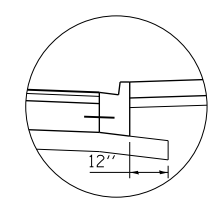
- (A) HOT-MIX ASPHALT SURFACE COURSE, 1 3/4"
- (B) PORTLAND CEMENT CONCRETE PAVEMENT, 12"
- (C) CONCRETE CURB
- (D) PORTLAND CEMENT CONCRETE SIDEWALK
- (E) GROUND SURFACE (ASSUME EXISTING 4" TOPSOIL DEPTH)
- (F) HOT-MIX ASPHALT BINDER COURSE, 2 1/4"

**PROPOSED**

- (1) PORTLAND CEMENT CONCRETE DRIVEWAY PAVEMENT, 8 INCH
- (2) SUB-BASE GRANULAR MATERIAL, TYPE B, 6"
- (3) CONCRETE CURB, TYPE B (SPECIAL) (CDOT)
- (4) PORTLAND CEMENT CONCRETE SIDEWALK (SEE ROADWAY PLAN & PROFILE FOR DEPTHS)
- (5) SAND CUSHION, 4 INCH, (CDOT)
- (6) #5 TIE BARS, 30" LONG AT 30" C-C (INCLUDED IN PRICE FOR BID FOR COMBINATION CURB AND GUTTER TYPE B V.12 (CDOT))
- (7) TOPSOIL FURNISH AND PLACE, 4"
- (8) RETAINING WALL (SEE RETAINING WALL PLANS)
- (9) TEMPORARY PAVEMENT (SEE TYPICAL SHT 3 FOR DETAILS)
- (10) SUB-BASE GRANULAR MATERIAL, TYPE B, 4"
- (11) COMBINATION CONCRETE CURB AND GUTTER, TYPE B-6.24
- (12) CONCRETE BARRIER WALL (SPECIAL)
- (13) CONCRETE BARRIER BASE (SPECIAL)
- (14) HOT-MIX ASPHALT SURFACE COURSE, MIX "D", N70, 1 3/4"
- (15) HOT-MIX ASPHALT BINDER COURSE, IL-19.0, N70, VARIES 2 1/4" TO 5 1/4"
- (16) PAVEMENT FABRIC
- (17) PORTLAND CEMENT CONCRETE BASE COURSE, 9"
- (18) BITUMINOUS MATERIALS (PRIME COAT)
- (19) AGGREGATE (PRIME COAT)
- (20) COMBINATION CURB AND GUTTER TYPE B V.12 (CDOT)
- (21) #5 TIE BARS, 30" LONG AT 30" C-C (LONGITUDINAL CONSTRUCTION JOINT) (INCLUDED IN PRICE FOR BID FOR PCC BASE COURSE)

**NOTES:**

1. AS INDICATED ON THE ROADWAY PLANS, TYPICALLY AT LEAST 6' (4' MIN) OF PROPOSED SIDEWALK WIDTH MUST HAVE A CROSS SLOPE OF 1:64 OR LESS.
2. TYPICAL LOCAL ROADWAY CROSS SLOPE VARIES BETWEEN 1.4% AND 3.6% AS INDICATED ON THE PLANS. SEE ROADWAY AND GRADING PLAN DETAILS FOR ROADWAY SLOPE TRANSITIONS.



**DETAIL A**

FILE PATH = p:\388035\pmt\escomon\me\local\p\ae\cd\00\Documents\01\_Americas\Transportation\60269938\_Circle\Phase\_1\000\_CAD\006\_Roadway\_Sheets\60W29\_sht-Typical-01A.dgn



D:\60W29-sht-Typical-01A.dgn	DESIGNED - JLV	REVISED - A 12/18/2013
USER NAME = BAW\jtor t	DRAWN - SED	REVISED -
PLOT SCALE = 20.0000' / in.	CHECKED - JMG	REVISED -
PLOT DATE = 12/19/2013	DATE - 10/30/2013	REVISED -

**STATE OF ILLINOIS  
DEPARTMENT OF TRANSPORTATION**

<b>TYPICAL SECTIONS PEORIA STREET</b>	
SCALE: NONE	SHEET 1A OF 3 SHEETS STA. TO STA.

F.A.I. RTE.	SECTION	COUNTY	TOTAL SHEETS	SHEET NO.
90/94/290	2013-011R	COOK	356	23A
CONTRACT NO. 60W29			ILLINOIS FED. AID PROJECT	