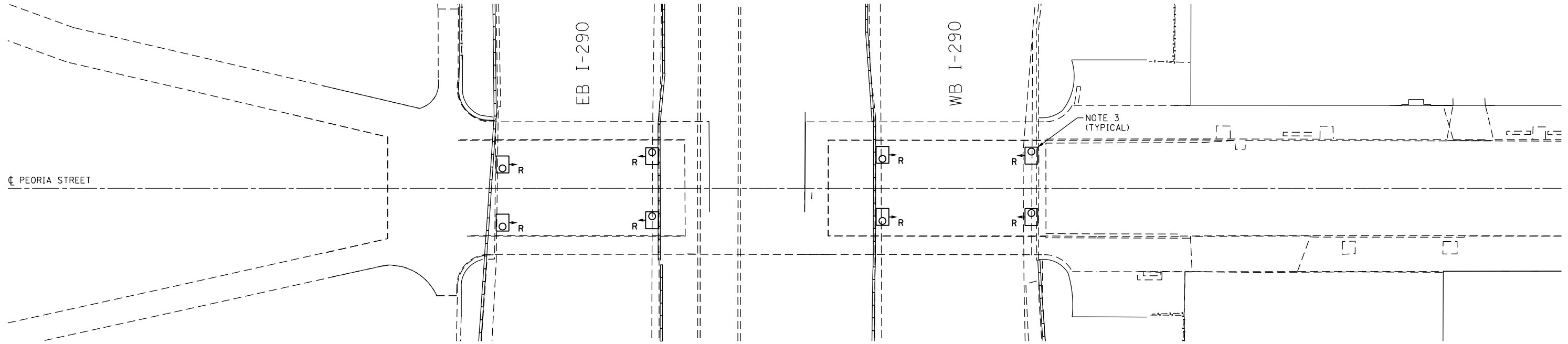
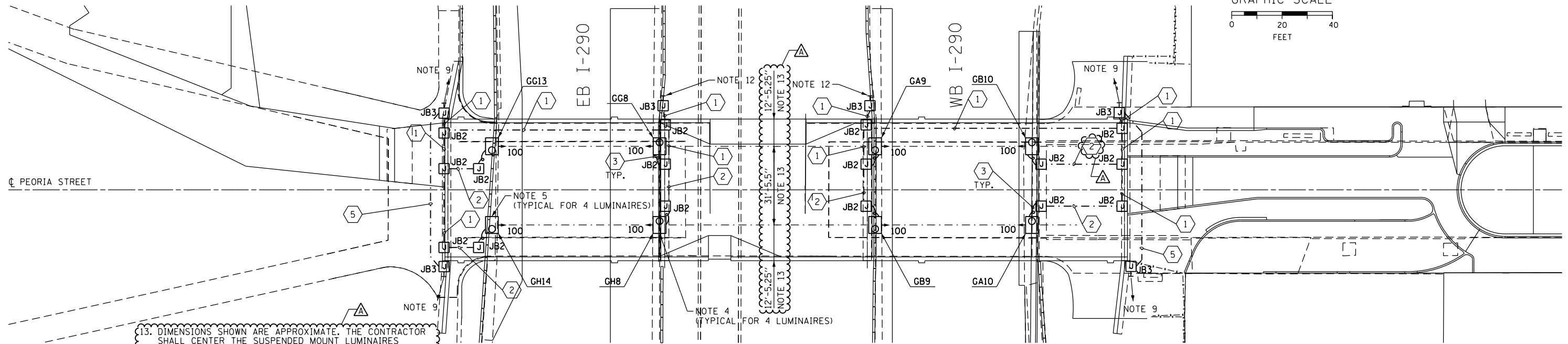
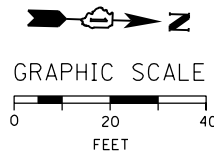


FILE PATH = p:\388035\part1\escom\line\local\p\AEC\000\Documents\01_Americas\Transportation\60269938_Circle\Phase 1\000_CAD\016_Electrical\Sheets\60W29_sht-Light-05



EXISTING UNDERPASS LIGHTING PLAN

NOTES 2 AND 3



PROPOSED UNDERPASS LIGHTING PLAN

NOTES:

- SEE DRAWING E-01 FOR IDOT ELECTRICAL SYMBOLS AND ABBREVIATIONS.
- LOCATIONS OF EXISTING ELECTRICAL EQUIPMENT SHOWN ON THIS DRAWING ARE APPROXIMATIONS AND MUST BE VERIFIED IN THE FIELD BY THE CONTRACTOR.
- THE REMOVAL OF EXISTING UNDERPASS LUMINAIRES MUST INCLUDE THE REMOVAL OF ALL CABLES, CONDUIT, JUNCTION BOXES, AND HARDWARE ASSOCIATED WITH THE EXISTING UNDERPASS LIGHTING. COST FOR THIS WORK WILL NOT BE PAID FOR SEPARATELY BUT WILL BE INCLUDED AS PART OF THE "REMOVAL OF LIGHTING UNIT, SALVAGE" PAY ITEM.
- SEE IDOT STANDARD DRAWING BE-902 FOR ADDITIONAL INSTALLATION DETAILS FOR PROPOSED PIER/ABUTMENT WALL MOUNTED UNDERPASS LUMINAIRES.
- SEE IDOT STANDARD DRAWING BE-900 FOR ADDITIONAL INSTALLATION DETAILS FOR PROPOSED SUSPENDED MOUNT UNDERPASS LUMINAIRES.
- ALL PROPOSED UNDERPASS LIGHTING UNITS SHOWN ON THIS DRAWING WILL BE FED FROM EXISTING IDOT LIGHTING CONTROLLER "G".
- SUSPENDED MOUNT UNDERPASS LUMINAIRES SETBACK FROM THE EDGE OF PAVEMENT SHALL BE 2 FEET.
- ALL VERTICAL CONDUIT RUNS ROUTED DOWN THE STRUCTURE SHALL BE INSTALLED ON THE INSIDE OF THE PIER FACING AWAY FROM TRAFFIC FLOW.
- SEE DRAWING E-04 FOR CONTINUATION OF LIGHTING CIRCUIT.

- ROUTE NEW CABLES IN UNIT DUCT FROM PROPOSED JUNCTION BOX ON HALSTED ST. BRIDGE TO THE UNDERPASS LIGHTING SYSTEM FROM EXISTING LIGHT TOWER ZC02. ALLOW 200 FEET OF CABLES IN UNIT DUCT FOR BIDDING PURPOSES.
- ROUTE NEW CABLES IN UNIT DUCT FROM PROPOSED JUNCTION BOX ON PEORIA ST. BRIDGE TO THE EXISTING LIGHTING CIRCUITS LOCATED IN THE EXISTING LIGHT POLE TO PROVIDE A TEMPORARY POWER CONNECTION AS SHOWN. SEE DRAWING E-03 FOR CONTINUATION.
- SEE DRAWING E-03 FOR TEMPORARY POWER CONNECTIONS TO UNDER PASS LIGHTING SYSTEM.

13. DIMENSIONS SHOWN ARE APPROXIMATE. THE CONTRACTOR SHALL CENTER THE SUSPENDED MOUNT LUMINAIRES BETWEEN THE BRIDGE GIRDERS. ALL UNDERPASS LIGHTING WORK MUST BE COORDINATED WITH THE CONDUITS ATTACHED TO STRUCTURE TO BE INSTALLED BETWEEN THE BRIDGE GIRDERS AND AS DIRECTED BY THE ENGINEER.

100 WATT, HPS UNDERPASS LUMINAIRE WITH TYPE 4 DISTRIBUTION

JUNCTION BOX SCHEDULE		
NO.	SIZE	DESCRIPTION
JB1	6"x6"x4"	STAINLESS STEEL, ATTACHED TO STRUCTURE, UNDERPASS LIGHTING
JB2	12"x10"x6"	STAINLESS STEEL, ATTACHED TO STRUCTURE, UNDERPASS LIGHTING
JB3	18"x18"x8"	STAINLESS STEEL, ATTACHED TO STRUCTURE, UNDERPASS LIGHTING

CABLE / CONDUIT SCHEDULE

1	3-1/C#10, 1-1/C#10 GND IN 1" DIA PVCC RGC ATTACHED TO STRUCTURE (CKTS AS INDICATED ON THIS DRAWING)
2	2-1/C#10, 1-1/C#10 GND IN 1" DIA PVCC RGC ATTACHED TO STRUCTURE (CKTS AS INDICATED ON THIS DRAWING)
3	2-1/C#10, 1-1/C#10 GND IN 1" DIA LIQUID TIGHT FLEXIBLE CONDUIT (CKTS AS INDICATED ON THIS DRAWING)
4	3-1/C#2, 1-1/C#4 GND XLP TYPE USE CABLES IN A 1 1/2" UNIT DUCT (CKTS AS INDICATED ON THIS DRAWING)
5	3-1/C#2, 1-1/C#4 GND XLP TYPE USE CABLES IN A 3" DIA. PVCC RGC ATTACHED TO STRUCTURE (CKTS AS INDICATED ON THIS DRAWING)



D160W29-sht-Light-05
 USER NAME = myersc
 PLOT SCALE = 40.0000' / in.
 PLOT DATE = 1/20/2014

DESIGNED - WDS
 DRAWN - CAM
 CHECKED - WDS
 DATE - 10/30/2013

REVISED - Δ 1/20/2014
 REVISED -
 REVISED -
 REVISED -

STATE OF ILLINOIS
 DEPARTMENT OF TRANSPORTATION

PEORIA STREET UNDERPASS LIGHTING PLAN

SCALE: 1"=20' SHEET 5 OF 19 SHEETS STA. TO STA.

F.A.I. RTE.	SECTION	COUNTY	TOTAL SHEETS	SHEET NO.
90/94/290	2013-011R	COOK	356	115
CONTRACT NO. 60W29				
ILLINOIS FED. AID PROJECT				

E-05