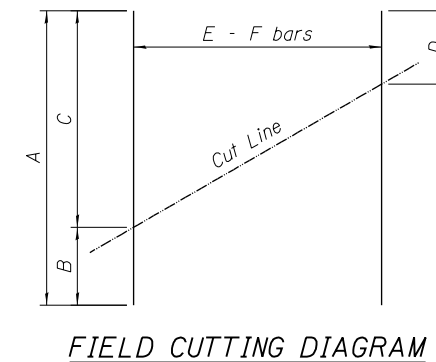
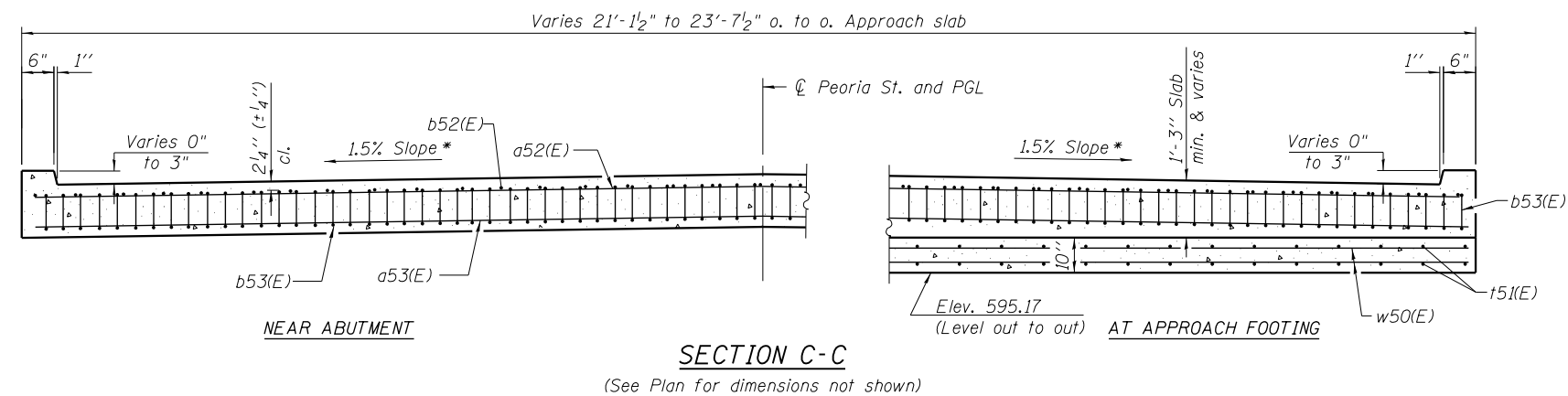
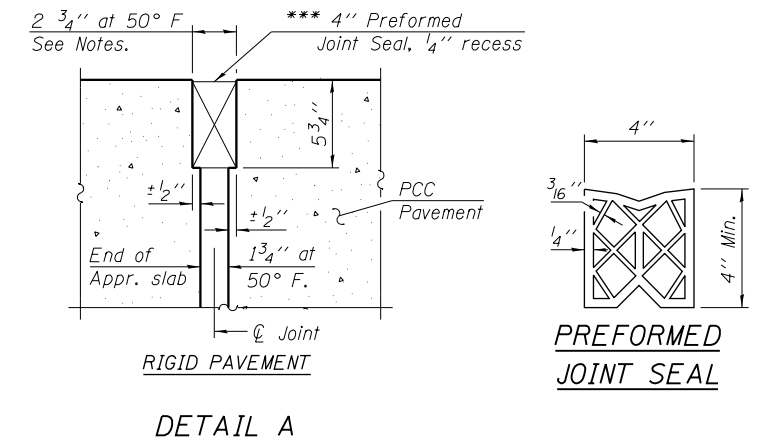
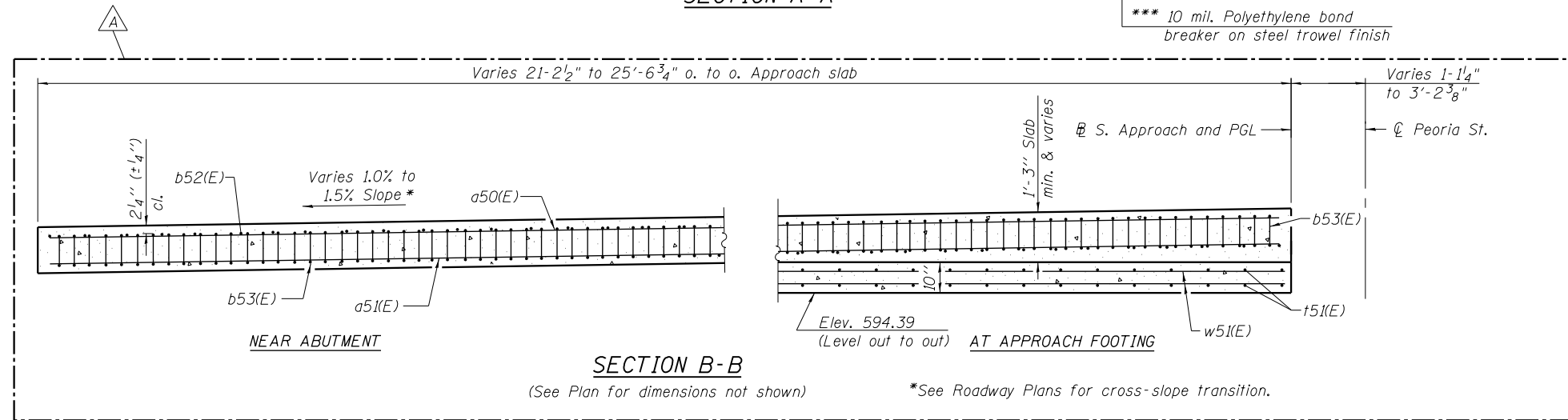


Notes:  
 Approach slab and curb concrete shall be paid for as Concrete Superstructure.  
 Approach footing concrete shall be paid for as Concrete Structures.  
 Reinforcement shall be paid for as Reinforcement Bars, Epoxy Coated.  
 For v(E) bar details, see sheet 23 of 55.  
 The approach footing maximum applied service bearing pressure ( $Q_{max}$ ) = 2.0 ksf.  
 Cost of excavation for approach footing included with Concrete Structures.  
 For Granular Backfill for Structures and drainage treatment details, see sheet 40 of 55.  
 The joint opening shall be determined per Article 520.04 except that on jointless structures, the distance described as the bridge length between the nearest fixed bearings each way from the joint shall be taken as half the bridge length plus the approach slab length. The minimum dimension shall be 1 1/2" for installation purposes.

\*\*\* Cost included with Concrete Superstructure.



FIELD CUTTING DIAGRAM

Order bars full length. Cut as Shown and use remainder of bars in opposite face.

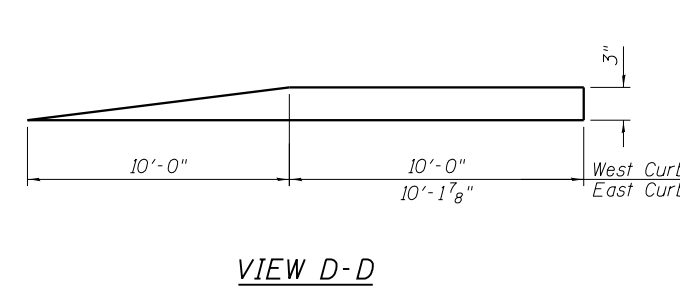
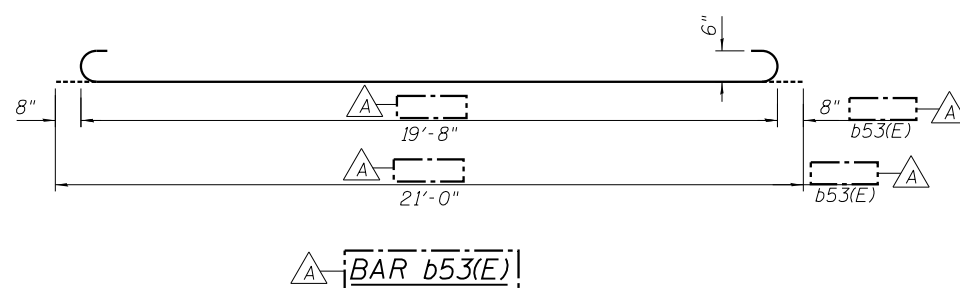
FIELD CUTTING TABLE

Bar	A	B	C	D	E	F
a50(E)	46'-1"	23'-2"	22'-11"	20'-11"	9	#4
a51(E)	46'-1"	23'-2"	22'-11"	20'-11"	11	#5
a52(E)	44'-1"	20'-10"	23'-3"	22'-1"	9	#4
a53(E)	44'-1"	20'-10"	23'-3"	22'-1"	11	#5
w50(E)	42'-1"	20'-5"	21'-8"	21'-1"	11	#5
w51(E)	42'-7"	21'-4"	21'-3"	20'-3"	11	#5

TWO APPROACHES  
BILL OF MATERIAL

Bar	No.	Size	Length	Shape
a50(E)	9	#4	46'-1"	—
a51(E)	11	#5	46'-1"	—
a52(E)	9	#4	44'-1"	—
a53(E)	11	#5	44'-1"	—
b52(E)	42	#4	19'-10"	—
b53(E)	119	#6	21'-0"	—
t51(E)	94	#4	9'-8"	—
w50(E)	22	#5	42'-1"	—
w51(E)	22	#5	42'-7"	—
Concrete Superstructure		Cu. Yd.	42.4	—
Concrete Structures		Cu. Yd.	13.3	—
Reinforcement Bars, Epoxy Coated		Pound	8,440	—

\*\* Cut to fit in field



VIEW D-D

10:32:13 AM 0161708-60W29-5025-ApprSlab\_Details2.dgn



USER NAME = BAWIort	DESIGNED WJC	REVISED A 12/18/2013 WJC/DL
PLOT SCALE = 0:2.0000 '1" / in.	CHECKED DL	REVISED
PLOT DATE = 12/19/2013	DRAWN WJC	REVISED
	CHECKED DL	REVISED

STATE OF ILLINOIS  
DEPARTMENT OF TRANSPORTATION

BRIDGE APPROACH SLAB DETAILS 2  
STRUCTURE NO. 016-1708

SHEET NO. 25 OF 55 SHEETS

MUN 2090	SECTION 2013-011R	COUNTY COOK	TOTAL SHEETS 356	SHEET NO. 157
CONTRACT NO. 60W29			ILLINOIS FED. AID PROJECT	