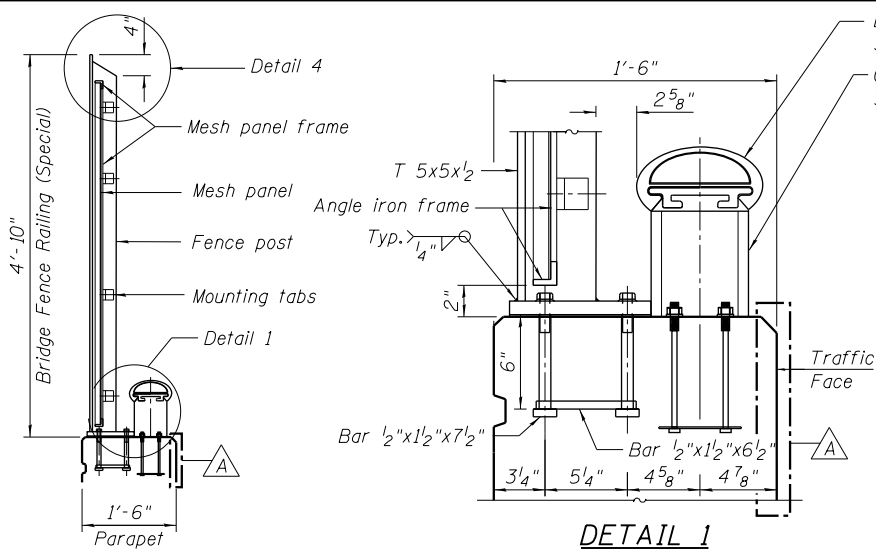
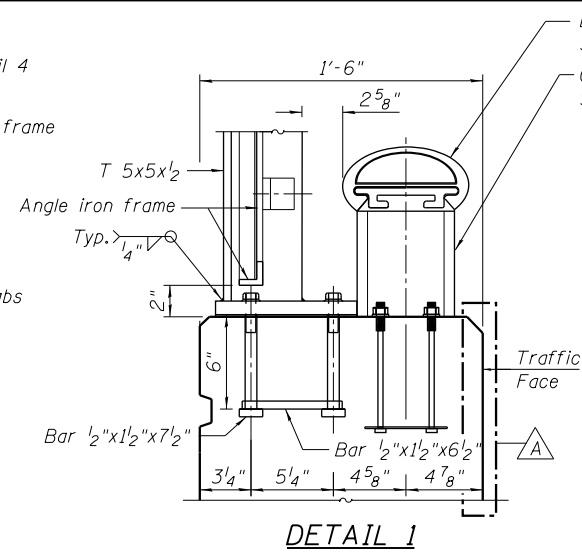


BILL OF MATERIAL

Item	Unit	Total
Bridge Fence Railing (Special)	Foot	129

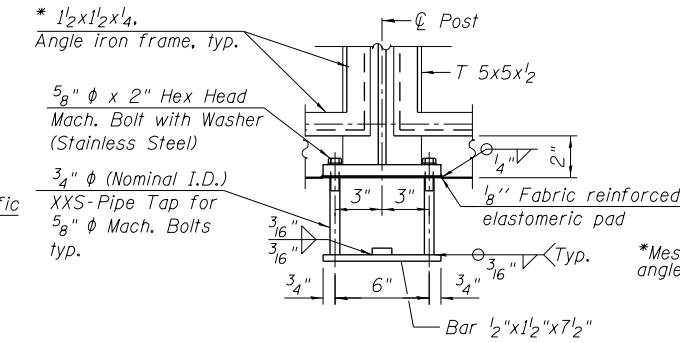


SECTION A-A

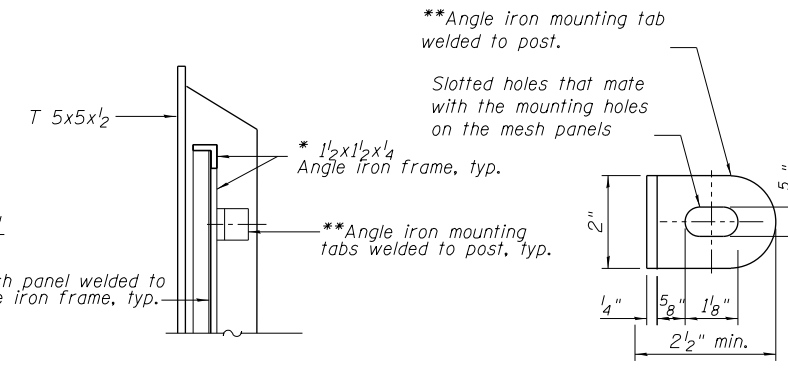


DETAIL 1

Decorative Railing (Parapet Mounted)
See details on Sheet 26 of 55.
Chicago rail stanchion cover.
See details on Sheet 26 of 55.

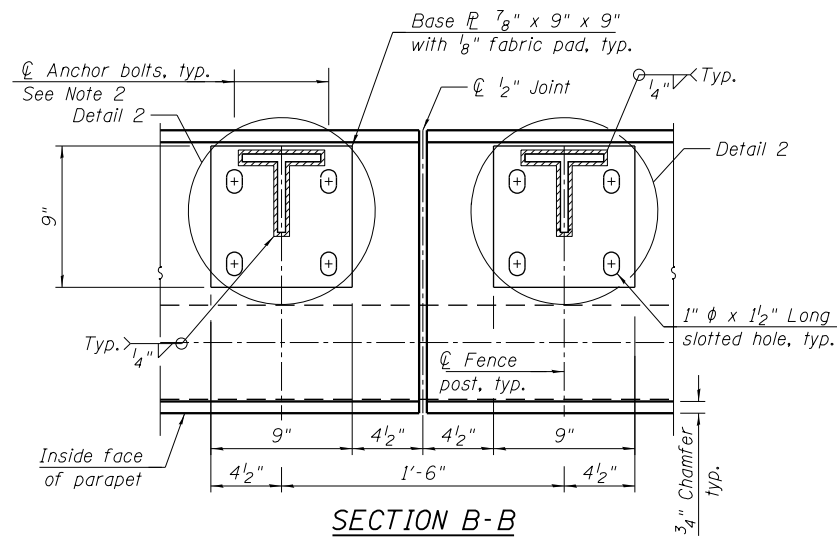


ANCHOR BOLT DETAILS

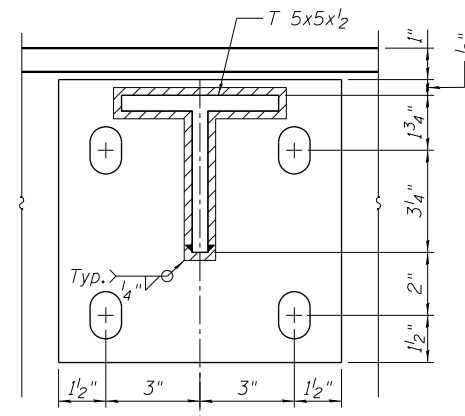


DETAIL 4

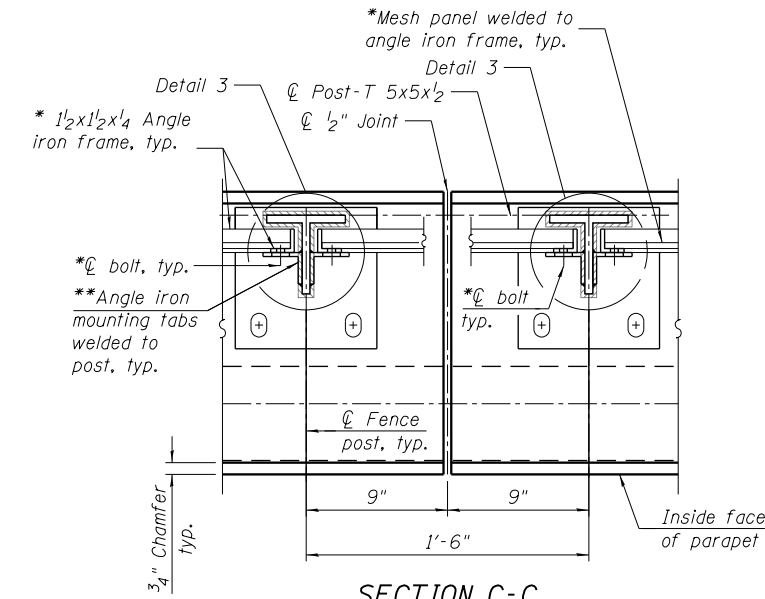
MOUNTING TAB DETAIL



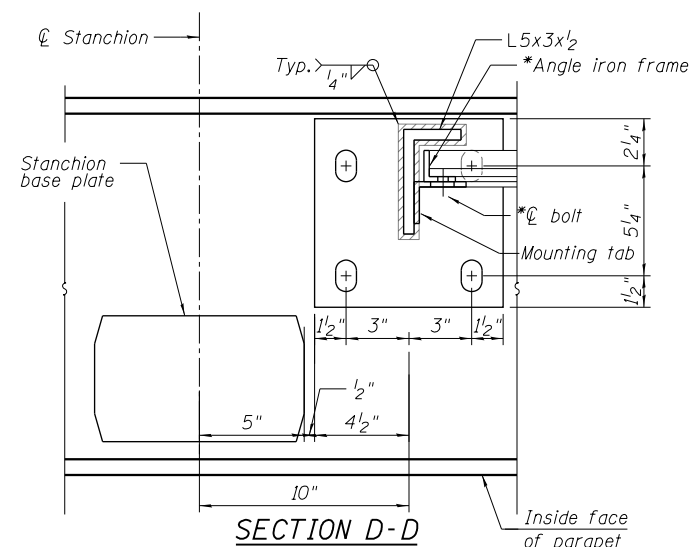
**SECTION B-B
BASE PLATE PLAN**



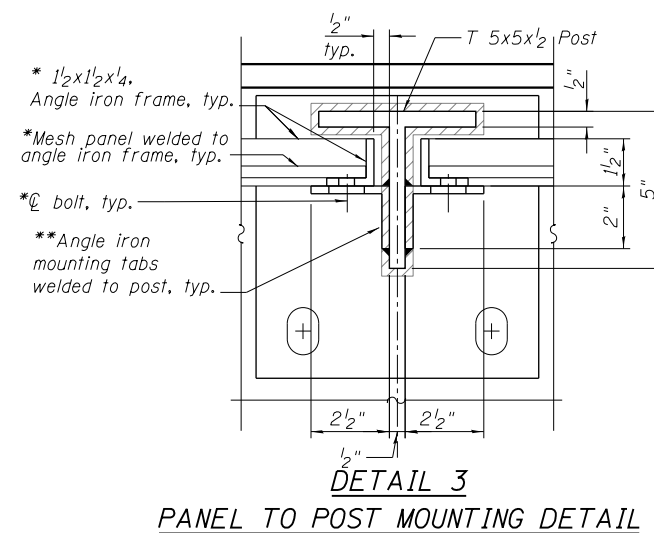
DETAIL 2



SECTION C-C



SECTION D-D



**DETAIL 3
PANEL TO POST MOUNTING DETAIL**

Notes:
All steel rail elements shall be Stainless Steel 316.
In lieu of the cast-in-place anchor device shown, the Contractor has the option of drilling and setting 5/8" ϕ anchor rods according to Article 509.06 of the Standard Specifications. Embedment shall be according to the manufacturer's specifications.
Provide bolted connection with oversized slotted hole to allow for erection tolerance of mesh panel and movement at control joints. Spacing between posts may not be the same at bottom and top of frame due to a slight vertical curve at parapet top surface.

* Fence panels and their mounting system, including angles, bracing, bolts and welds to be designed by wire mesh manufacturer. The design shown is based on Banker Architectural. Approved manufacturer can submit their own mounting system for Engineer's review and approval.

**Number, spacing and size of mounting tabs and slotted holes to be verified and designed by fence manufacturer.

10:32:20 AM
0161708-60W29-5029-Railing_FenSpecial.dgn



USER NAME = BAWIort	DESIGNED WJC	REVISED A 12/18/2013 WJC/DL
PLOT SCALE = 3:0.6600 ' / in.	CHECKED KAH	REVISED
PLOT DATE = 12/19/2013	DRAWN SLW	REVISED
	CHECKED DL	REVISED

**STATE OF ILLINOIS
DEPARTMENT OF TRANSPORTATION**

**BRIDGE FENCE RAILING (SPECIAL)
STRUCTURE NO. 016-1708**

SHEET NO. 29 OF 55 SHEETS

MUN	SECTION	COUNTY	TOTAL SHEETS	SHEET NO.
2090	2013-011R	COOK	356	161
CONTRACT NO.			60W29	

ILLINOIS FED. AID PROJECT