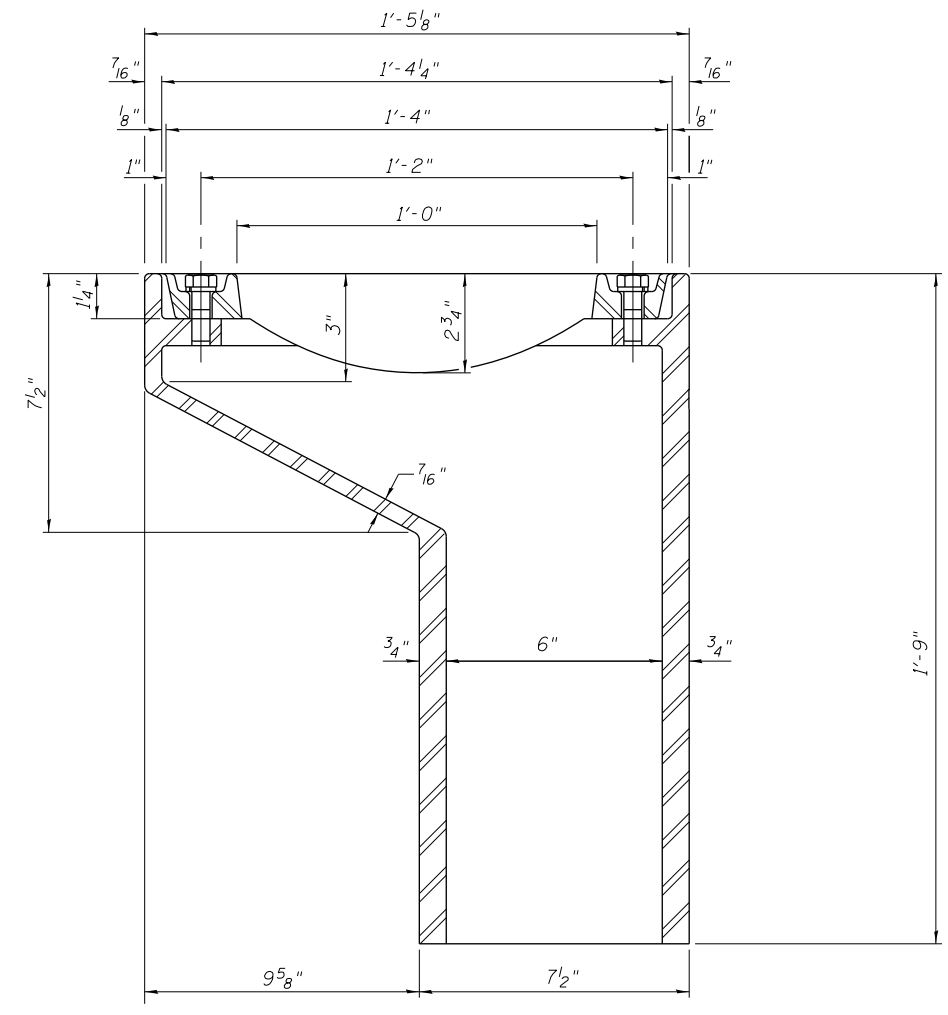
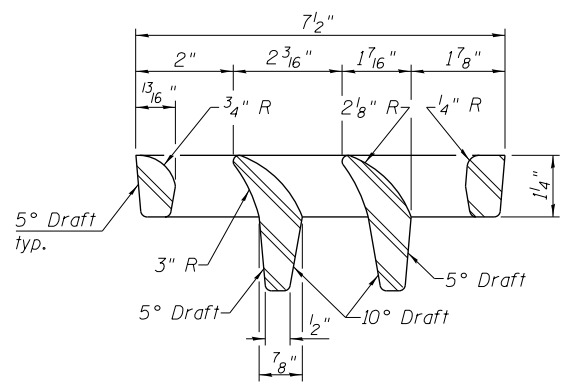


**PLAN**

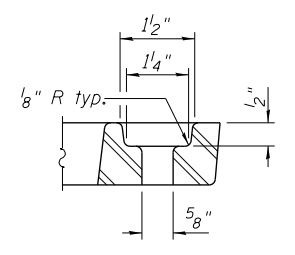


**SECTION A-A**

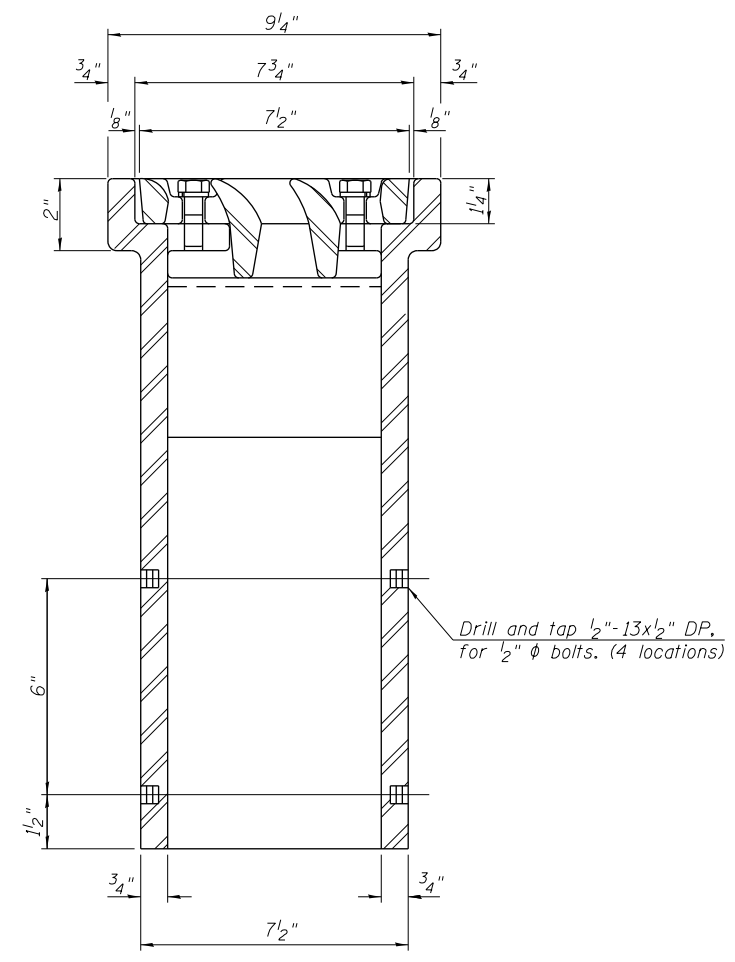
See Sheet 15 and 16 of 55 for scupper location relative to parapet.



**VANE GRATE DETAIL**



**BOLT HOLE DETAIL**



**SECTION B-B**

**Notes:**  
 All cast iron parts shall be gray iron conforming to the requirements of AASHTO M 105, Class 35B.  
 Bolts, anchor studs, washers and nuts shall conform to the requirements of ASTM A 307 and shall be galvanized according to AASHTO M 232.  
 Downspouts located on the exterior side of a painted steel fascia beam shall be painted with the finish coat of gray, Munsell No. 5B 7/1. **Cost included in Drainage System.**  
 As an alternate, bolts, anchor studs, washers and nuts may be stainless steel according to Article 1006.29(d) of the Standard Specifications.  
 Structural steel weldments of equal sections and of the same configuration may be substituted for the cast iron scupper frame. Fillet or full penetration welds shall be used for the weldments. Details shall be submitted to the Engineer for approval. Structural steel weldments shall not be substituted for the cast iron scupper grate. Structural steel frames and downspouts shall be galvanized according to AASHTO M111.  
 The Contractor shall take appropriate measures to assure that **Protective Coat is not applied to the scupper.**  
**Cost of the Grate, Frame, Downspout, Anchor Studs, Field Welding, Bolts, Washers and Nuts including complete installation of the scupper shall be paid for at the contract unit price each for Drainage Scupper, DS-11.**  
 Alternate fiberglass downspout conforming to ASTM D 2996 with a short-time rupture strength hoop tensile stress of 30,000 psi min. may be used in lieu of the cast iron or steel equivalent.  
 See Sheet 16 of 55 for additional scupper details.

**BILL OF MATERIAL**

Item	Unit	Quantity
Drainage Scupper, DS-11	Each	2

10:32:24 AM 01/16/17/08-60W29-5031-Drainage\_ScupperDS11.dgn



USER NAME = BAWitorf	DESIGNED KAH	REVISED 12/18/2013 KAH
PLOT SCALE = 0:2.0000 '1" / in.	CHECKED MDS	REVISED
PLOT DATE = 12/19/2013	DRAWN RLS	REVISED
	CHECKED MDS	REVISED

**STATE OF ILLINOIS  
DEPARTMENT OF TRANSPORTATION**

**DRAINAGE SCUPPER, DS-11  
STRUCTURE NO. 016-1708**

SHEET NO. 31 OF 55 SHEETS

MUN	SECTION	COUNTY	TOTAL SHEETS	SHEET NO.
2090	2013-011R	COOK	356	163
ILLINOIS FED. AID PROJECT			CONTRACT NO.	60W29