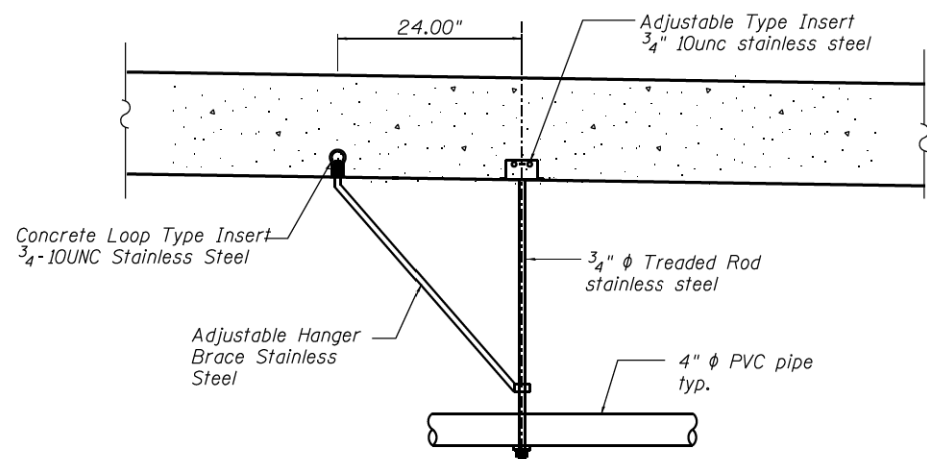


**STANDARD SUPPORT HANGER  
WITH STRANDING CLAMPS**



**ABUTMENT SUPPORT HANGER  
WITH STRANDING CLAMPS  
AND BRACING**

**SECTION B-B**

▲

P:\projects\13022\001\NS\CADD Sheets\13022-ATT-552C.dgn



USER NAME = rjcherd,jew	DESIGNED - RD	REVISED - 12/18/2013 RJ
PLOT SCALE = None	CHECKED - TB	REVISED
PLOT DATE = 12/13/2013	DRAWN - RJ	REVISED
	CHECKED - TB	REVISED

**AT&T PEORIA STREET /I-190  
OVERPASS CABLE RELOCATION PROJECT  
RE: IDOT CIRCLE INTERCHANGE PROJECT**

**AT&T CONDUIT HANGERS  
SECTIONS AND DETAILS**

SHEET NO. 52C OF 55 SHEETS

MUN	SECTION	COUNTY	TOTAL SHEETS	SHEET NO.
2090	2012-11R	COOK	356	184C
CONTRACT NO. 60W29			ILLINOIS FED. AID PROJECT	