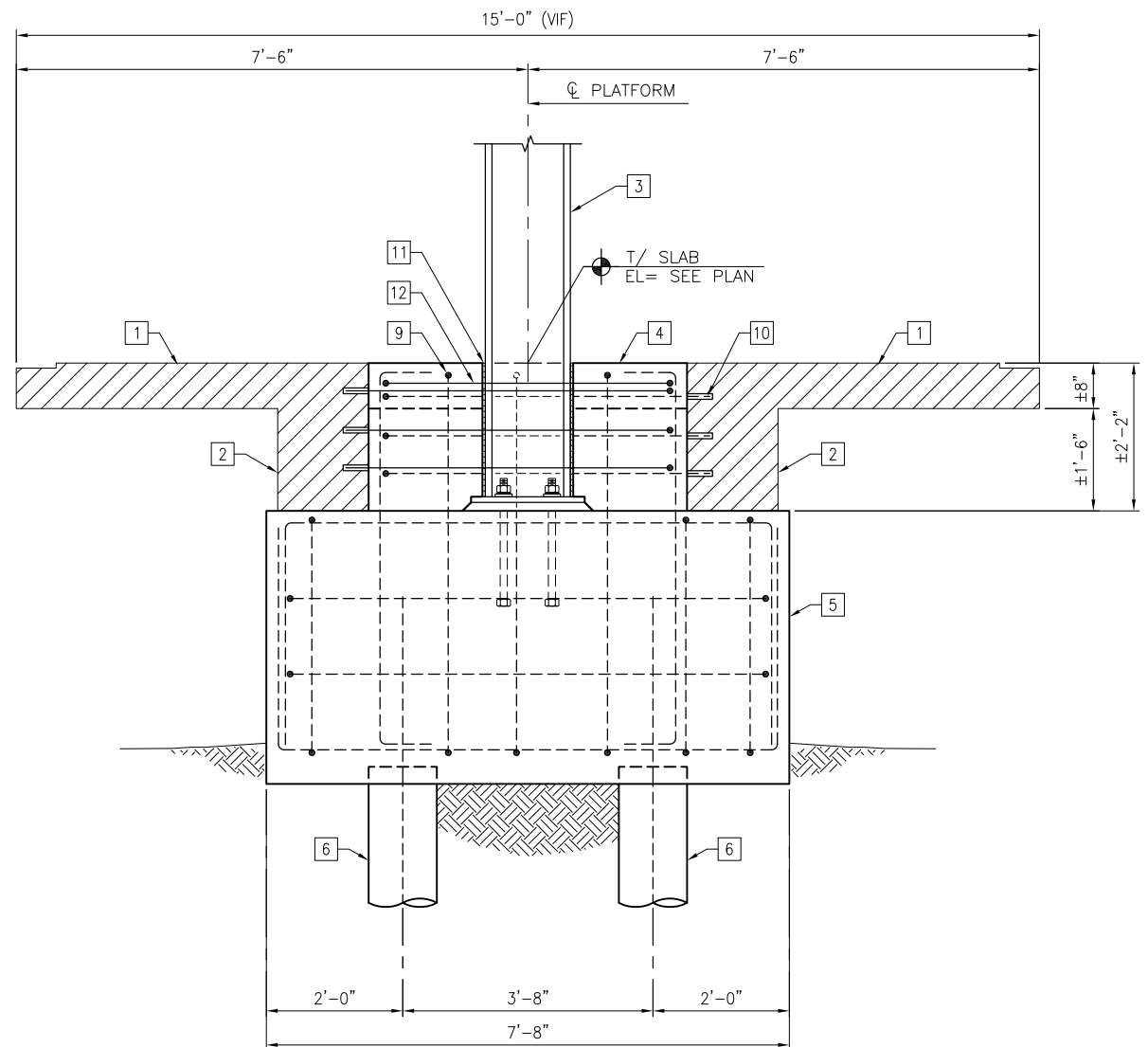
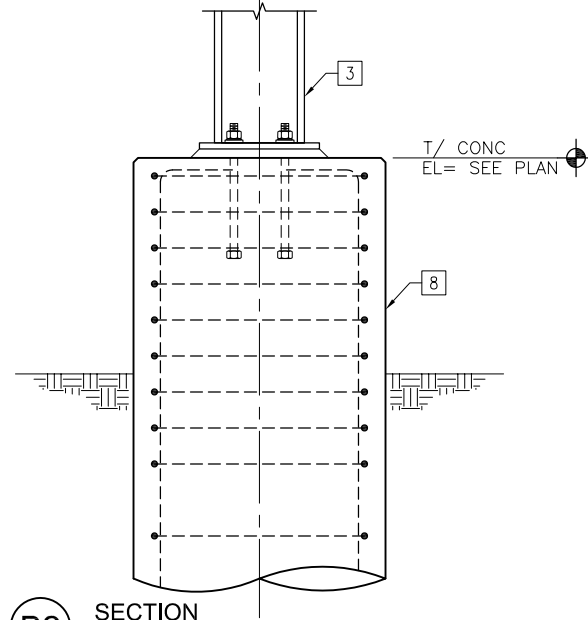


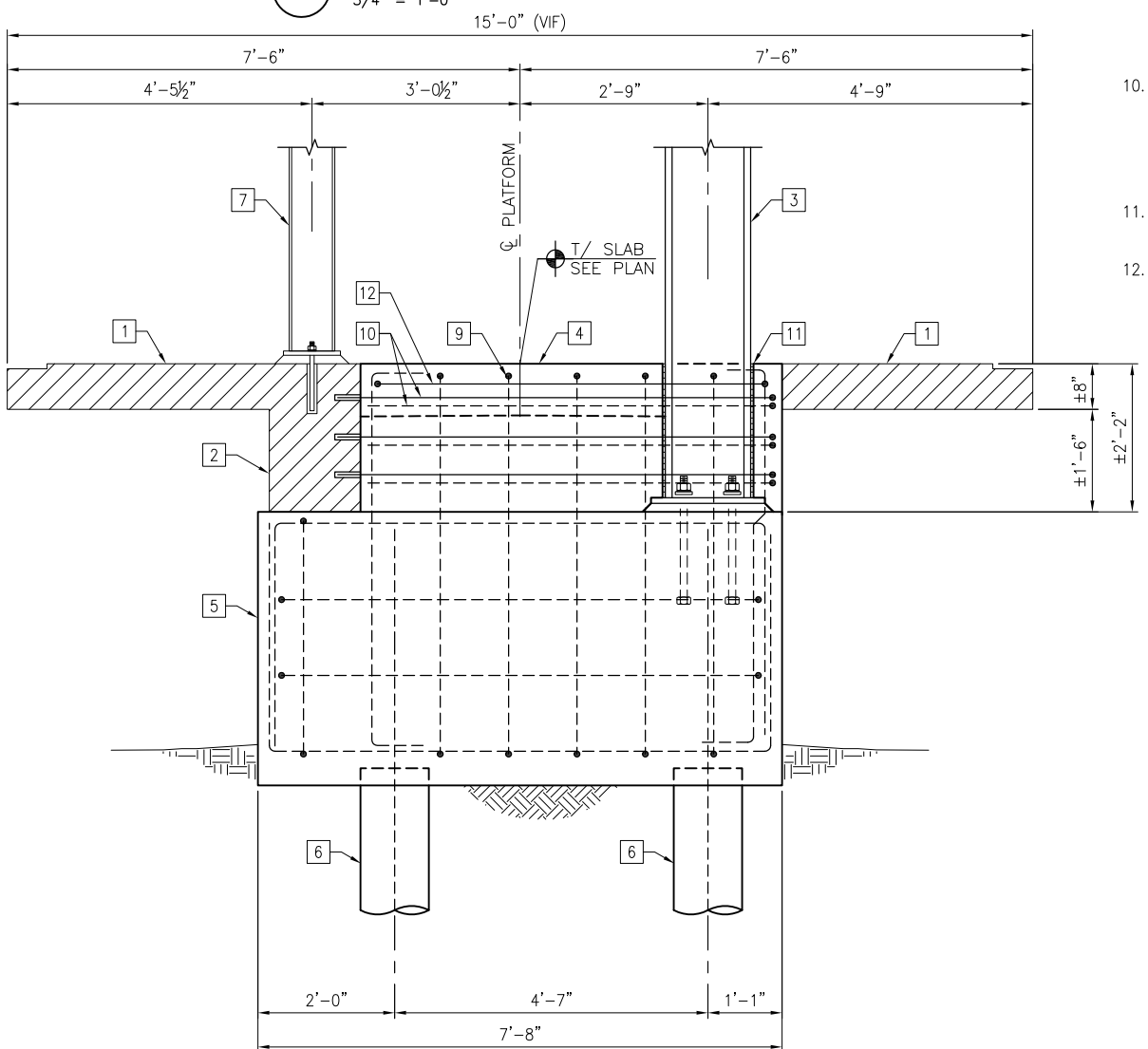
B1 SECTION
3/4" = 1'-0"



A1 SECTION
3/4" = 1'-0"



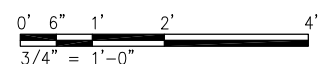
B2 SECTION
3/4" = 1'-0"



A2 SECTION
3/4" = 1'-0"

SHEET NOTES:
1. ALL EXISTING DIMENSIONS ARE SHOWN FOR REFERENCE ONLY AND SHALL BE VERIFIED PRIOR TO COMMENCEMENT OF CONSTRUCTION AND/OR FABRICATION OF ANY MEMBERS TO DETERMINE ANY CRITICAL DIMENSIONS THAT MAY BE DEPENDENT ON THE EXISTING STRUCTURE.

- KEYED NOTES:**
- EXISTING PLATFORM SLAB.
 - EXISTING LONGITUDINAL PLATFORM BEAM.
 - NEW W14x159 STEEL COLUMN.
 - INFILL CONCRETE.
 - PC-2 PILE CAP. SEE S-100 FOR REQUIRED CAPACITY.
 - TYPICAL CONCRETE MICROPILE.
 - NEW RWF11.24 ALUMINUM POST.
 - 42"Ø DRILLED SHAFT. SEE S-003 FOR TYPICAL SECTION.
 - #5 AT 12" OC VERT REINF + (3) #5 HORIZ REINF AT EACH SIDE OF CONCRETE INFILL. PROVIDE STD ACI 90° HOOKS AT TOP OF VERT REINF AND AT EACH END OF HORIZ REINF.
 - (3) #5 DOWELS W/ STANDARD HOOKS AT EACH SIDE OF COLUMN, EA FACE. (12) TOTAL FOR CONDITION IN A1/S-301 AND (6) TOTAL FOR CONDITION SHOWN IN A2/S-301. EMBED 4" INTO EXISTING CONCRETE W/ CHEMICAL ADHESIVE.
 - 1/2" EXPANSION JOINT MATERIAL ALL AROUND COLUMN.
 - (1) ADD'L #5 TIE AT TOP OF CONCRETE INFILL.



USER NAME = MAC	DESIGNED KLT	REVISED A 12/18/2013
PLOT SCALE =	CHECKED AB	REVISED ---
PLOT DATE = 10/28/13	DRAWN MAC	REVISED ---
	CHECKED KLT	REVISED ---

STATE OF ILLINOIS
DEPARTMENT OF TRANSPORTATION

PEORIA STREET STATION
FOUNDATION SECTIONS AND DETAILS

SHEET NO. S-301 OF 117 SHEETS

MUN	SECTION	COUNTY	TOTAL SHEETS	SHEET NO.
2090	2013-011R	COOK	356	208
CONTRACT NO. 60W29			ILLINOIS FED. AID PROJECT FED. AID PROJECT	