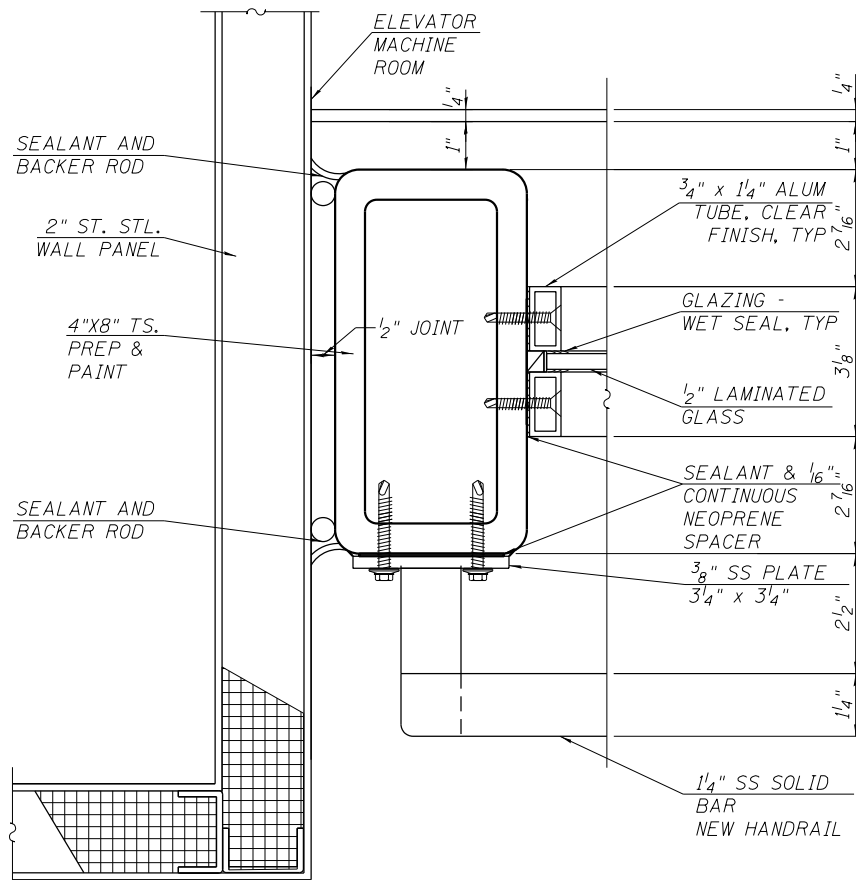
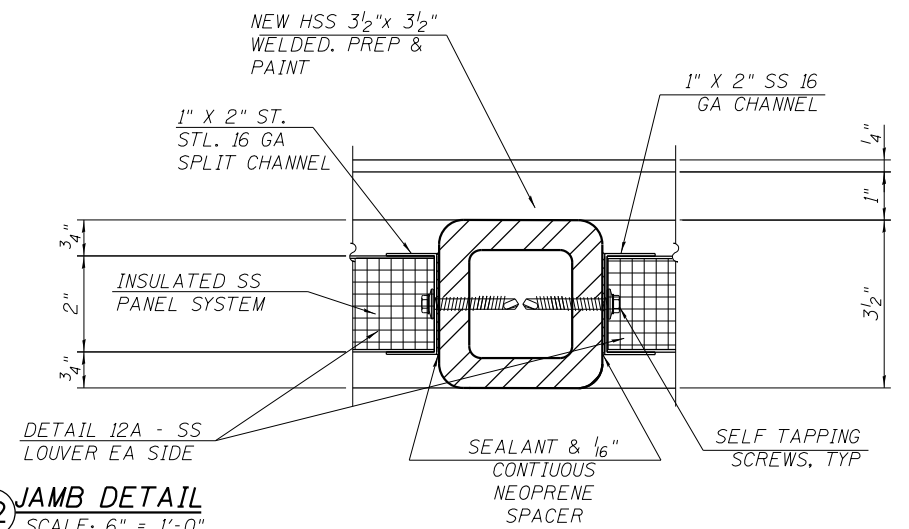


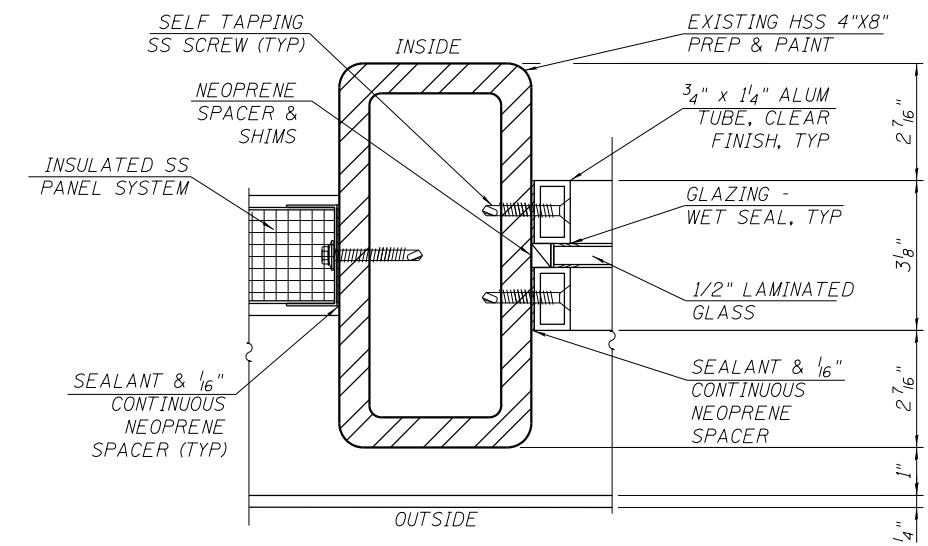
8 JAMB @ CORNER
SCALE: 6" = 1'-0"



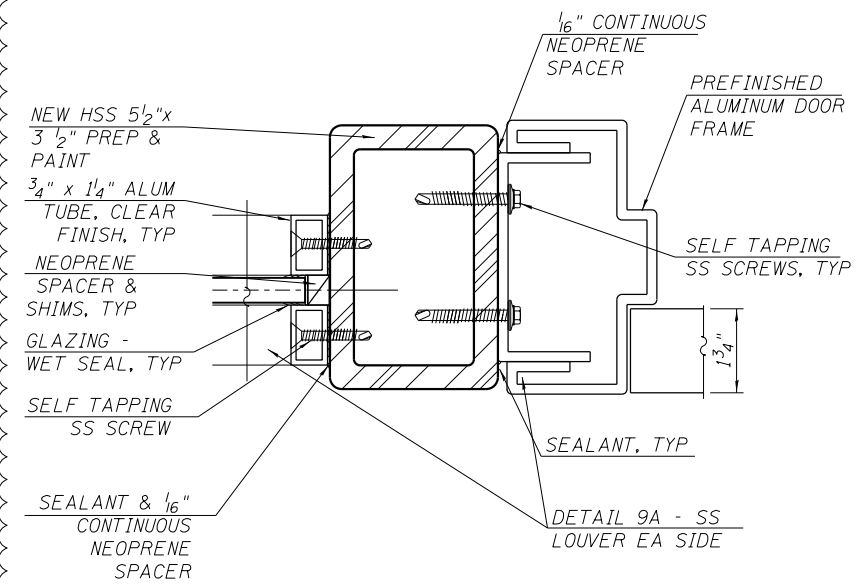
10 JAMB @ ELEV MACHINE ROOM
SCALE: 6" = 1'-0"



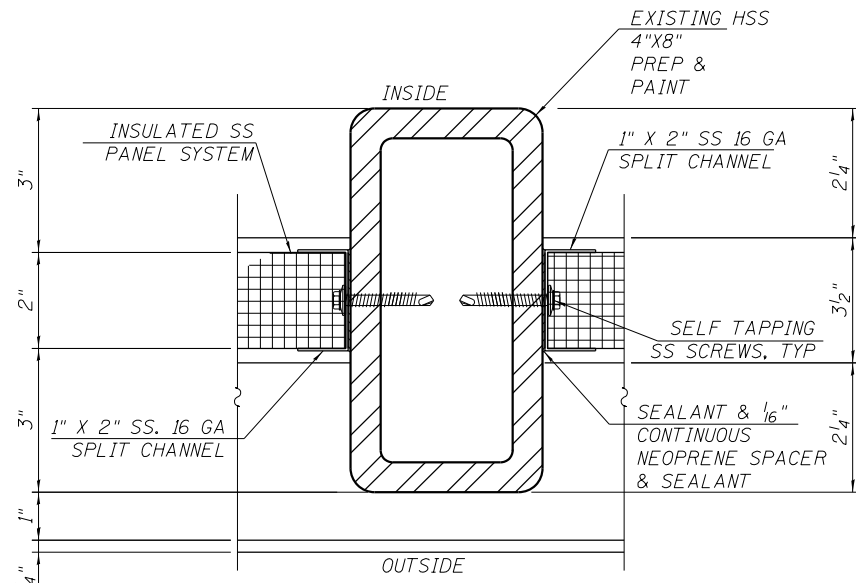
12 JAMB DETAIL
SCALE: 6" = 1'-0"



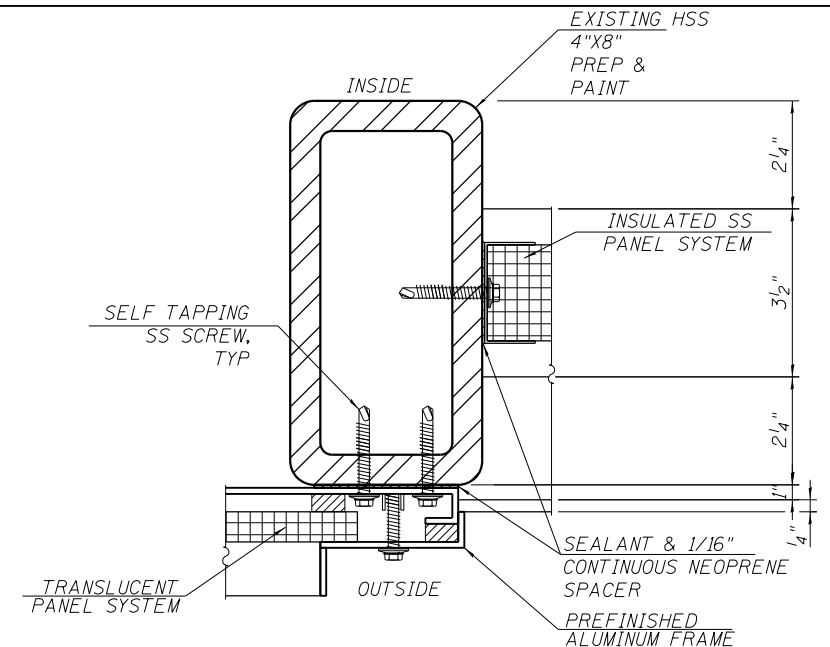
13 JAMB METAL PANEL @ WINDOW DETAIL
SCALE: 6" = 1'-0"



9 JAMB @ GLASS DOORS
SCALE: 6" = 1'-0"



11 JAMB METAL PANEL
SCALE: 6" = 1'-0"



14 JAMB METAL PANEL @ TRANSLUCENT PANEL
SCALE: 6" = 1'-0"

4/3/2014 4:36:34 PM 0161708-60W29-A-601.dgn



USER NAME = whbruce	DESIGNED - WHB	REVISED - 1/20/2014
PLOT SCALE = 4:0 in" / 1in.	CHECKED - CRR	REVISED -
PLOT DATE = 1/20/2014	DRAWN - WHB	REVISED -
	CHECKED - CRR	REVISED -

**STATE OF ILLINOIS
DEPARTMENT OF TRANSPORTATION**

**PEORIA STREET STATION
STATION DETAILS**

SHEET NO. A-601 OF 117 SHEETS

MUN 2090	SECTION 2013-011R	COUNTY COOK	TOTAL SHEETS 356	SHEET NO. 248
CONTRACT NO. 60W29			ILLINOIS FED. AID PROJECT FED. AID PROJECT	

