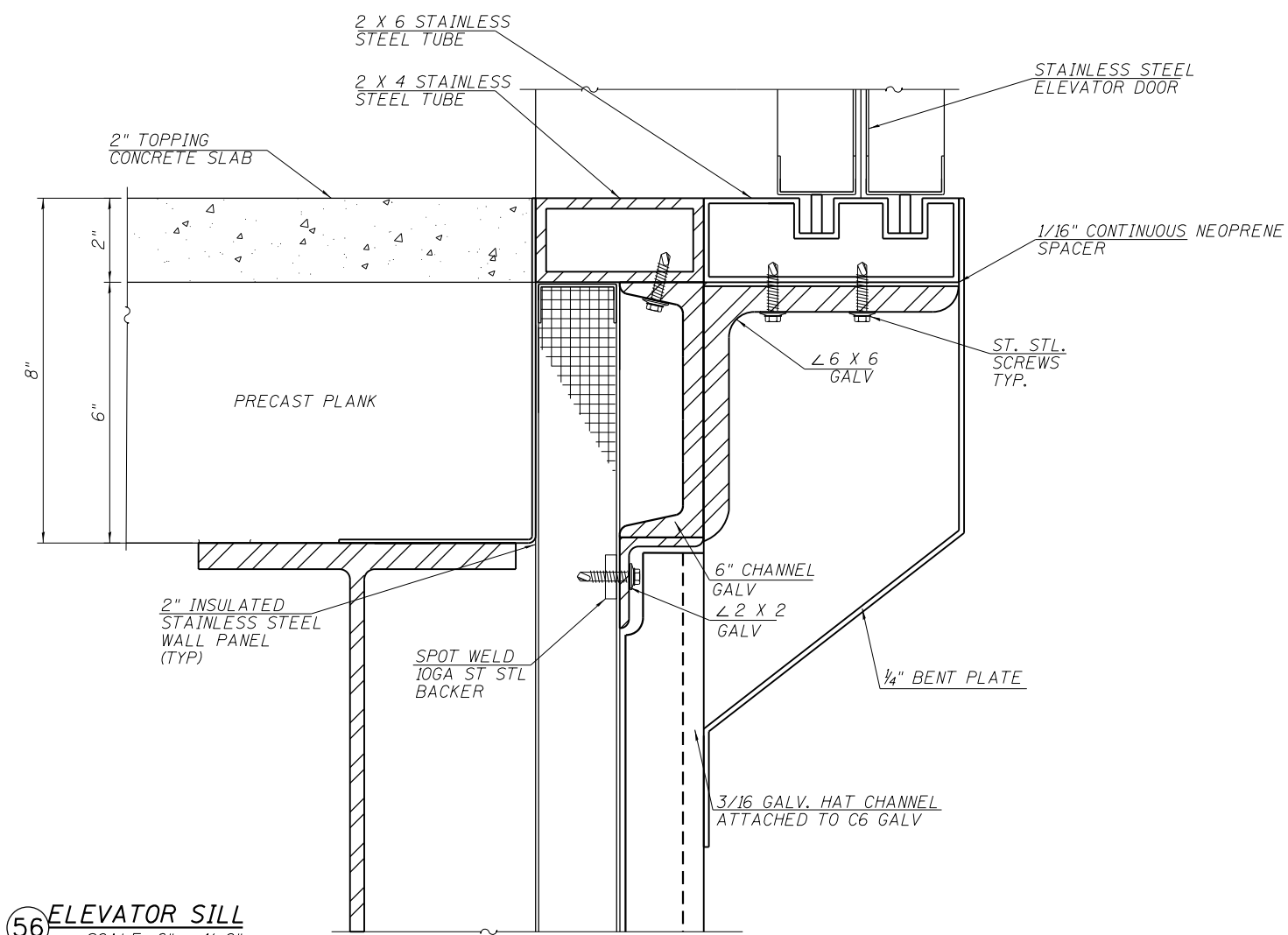
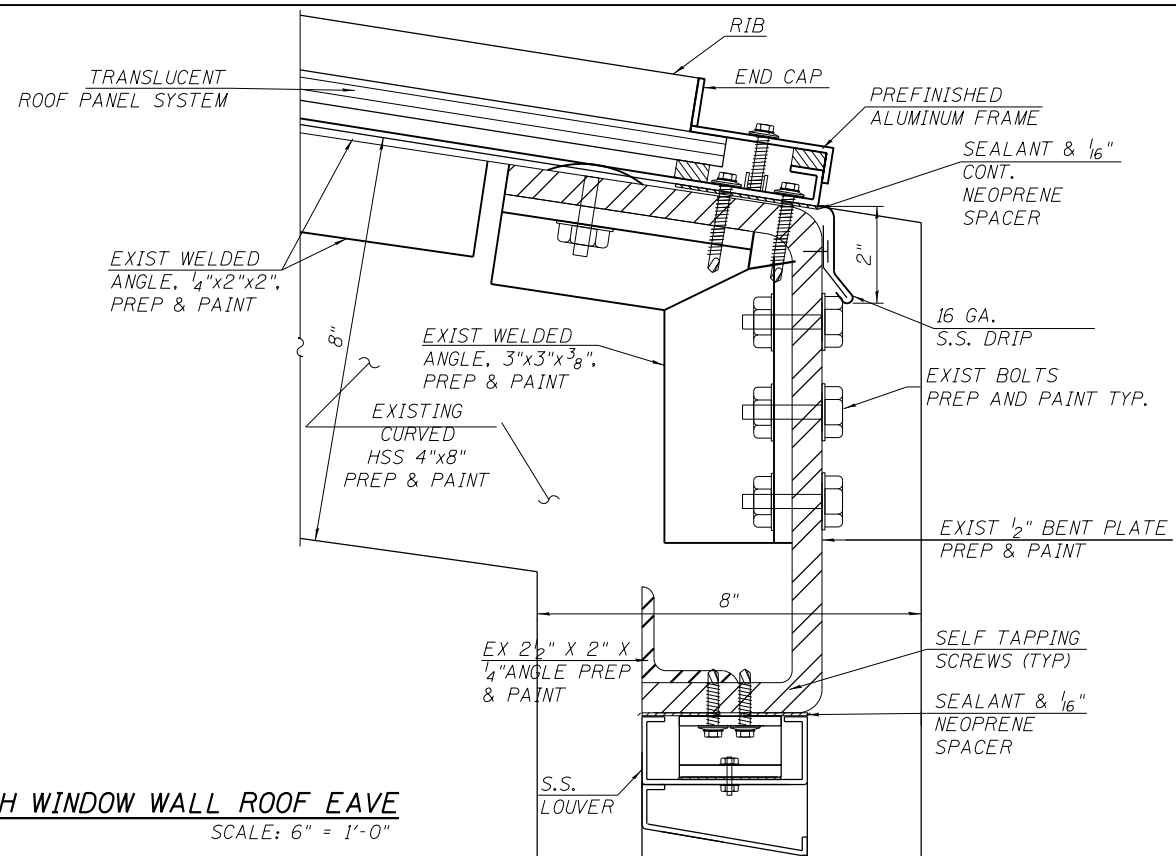


55 ELEVATOR JAMBS
SCALE: 6" = 1'-0"

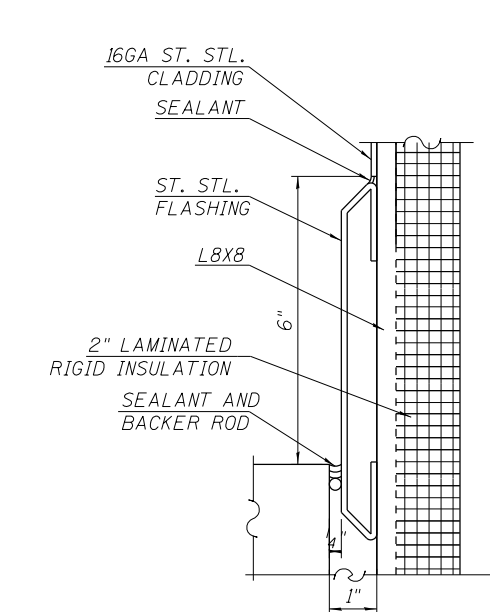
55A AT THIS PANEL
SCALE: 6" = 1'-0"



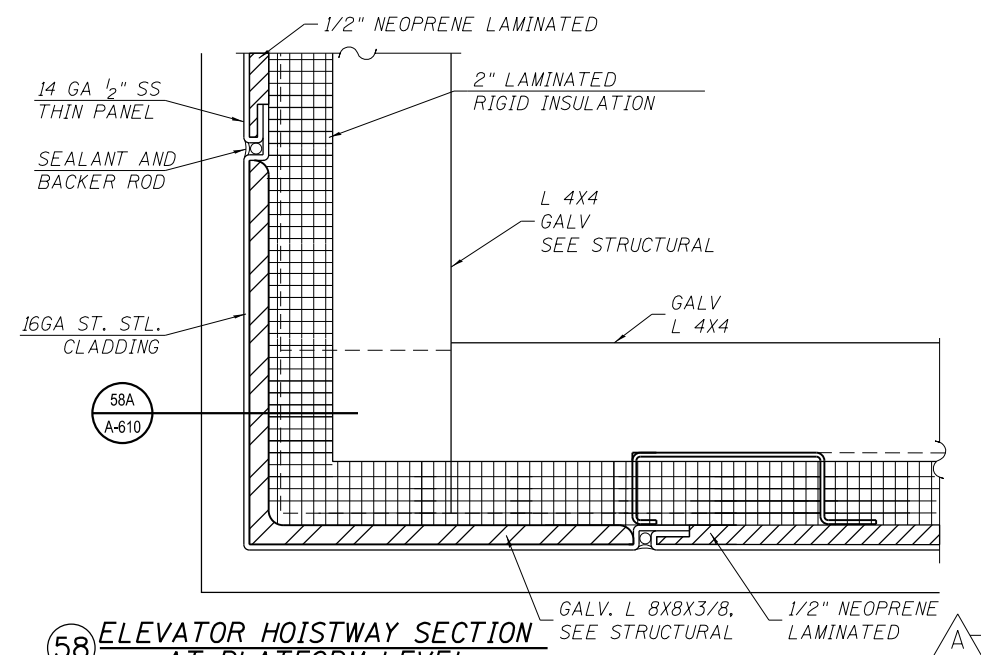
56 ELEVATOR SILL
SCALE: 6" = 1'-0"



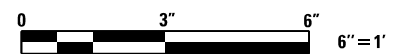
57 NORTH WINDOW WALL ROOF EAVE
SCALE: 6" = 1'-0"



58A SS PANEL AT ELEVATOR PIT
SCALE: 6" = 1'-0"



58 ELEVATOR HOISTWAY SECTION AT PLATFORM LEVEL
SCALE: 6" = 1'-0"



4:32:59 PM 01/17/08-60W29-A-610.dgn



| | | |
|------------------------------------|----------------|---------------------|
| USER NAME = whbruce | DESIGNED - DAF | REVISED - 1/20/2014 |
| PLOT SCALE = 4:0.0000 Ins/in / In. | CHECKED - CRR | REVISED - |
| PLOT DATE = 1/20/2014 | DRAWN - MSL | REVISED - |
| | CHECKED - CRR | REVISED - |

STATE OF ILLINOIS
DEPARTMENT OF TRANSPORTATION

PEORIA STREET STATION
STATION DETAILS
SHEET NO. A-610 OF 117 SHEETS

| | | | | |
|--------------------|-------------------|-------------|---------------------------|---------------|
| MUN 2090 | SECTION 2013-011R | COUNTY COOK | TOTAL SHEETS 356 | SHEET NO. 253 |
| CONTRACT NO. 60W29 | | | ILLINOIS FED. AID PROJECT | |