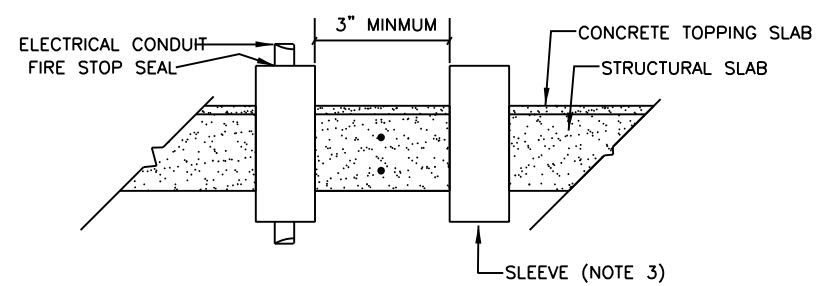
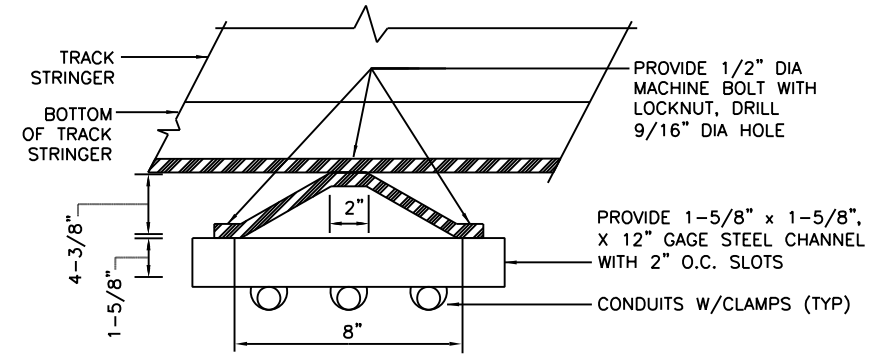


NOTES:

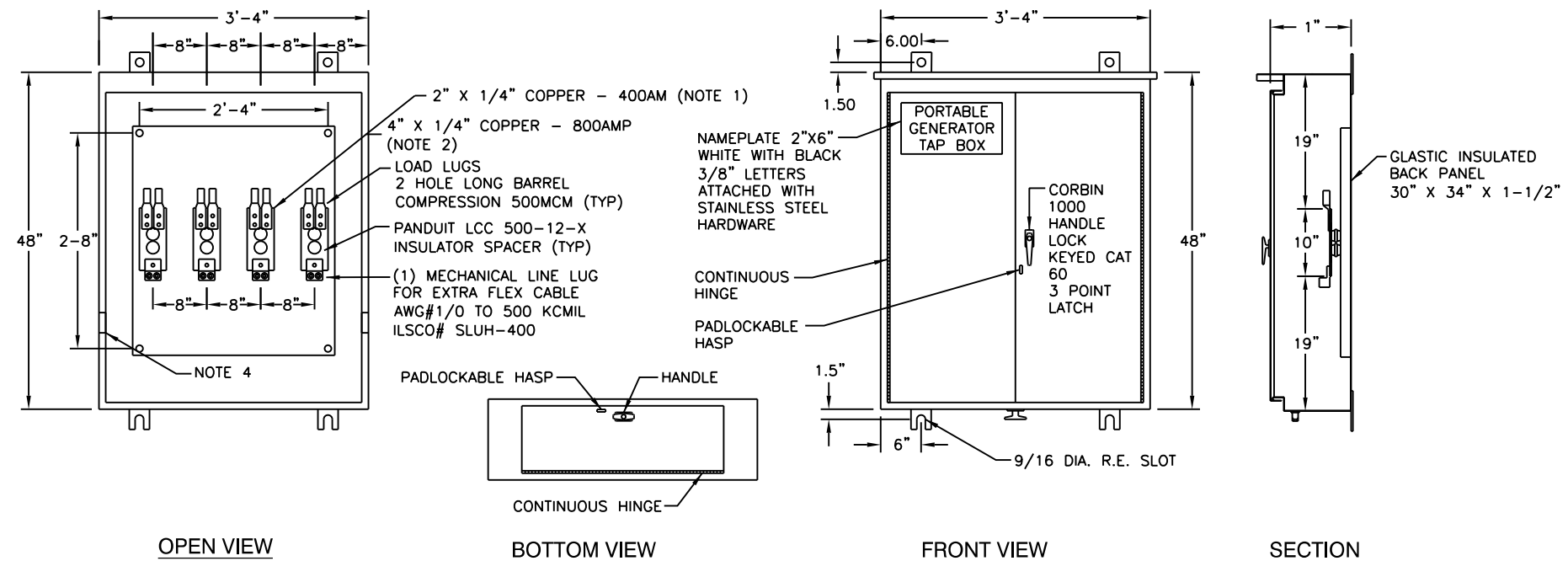
- FOR 400 AMP APPLICATIONS
BUS DETAIL 2" X 1/4" COPPER
(1) SET OF LUGS PER PHASE
- FOR 800 AMP APPLICATIONS
BUS DETAIL 4" X 1/4" COPPER
(2) SETS OF LUGS PER PHASE
- SIZE OF SLEEVE TO BE 1"
LARGER THEN THE SIZE OF
THE INSERTED CONDUIT.
- 1/4" X 2" SILVER PLATED COPPER
GROUND BUS BONDED TO ENCLOSURE
WITH (1) 2 HOLE LONG BARREL
COMPRESSION LUG #1/0 AWG
PANDUIT #LCC 1/0 MECHANICAL
LINE LUG FOR EXTRA FLEX CABLE #6
AWG TO ONE 250KCMIL ILSCO
#SLUH-225



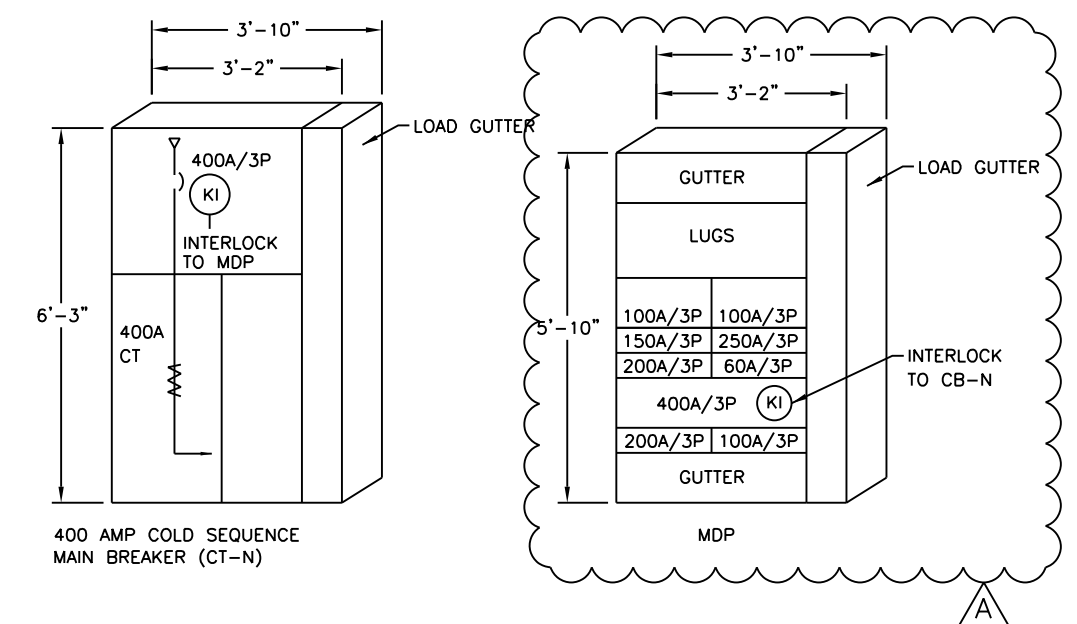
1 TYPICAL SLEEVES INSTALLATION
SCALE: NTS



2 CONDUITS CROSSING GIRDER
SCALE: NTS



3 PORTABLE GENERATOR TAP BOX
SCALE: 1"=1'-0"



4 CT-N AND MDP ELEVATIONS
SCALE: NTS

USER NAME = habib	DESIGNED -	REVISED - 12/18/2013
	CHECKED -	REVISED
PLOT SCALE = 0x2' in / in.	DRAWN -	REVISED
PLOT DATE = 12/17/2013	CHECKED -	REVISED

MUN	SECTION	COUNTY	TOTAL SHEETS	SHEET NO.
2090	2013-011R	COOK	356	290
CONTRACT NO.			60W29	

3:49:53 PM 250-60W29.dgn