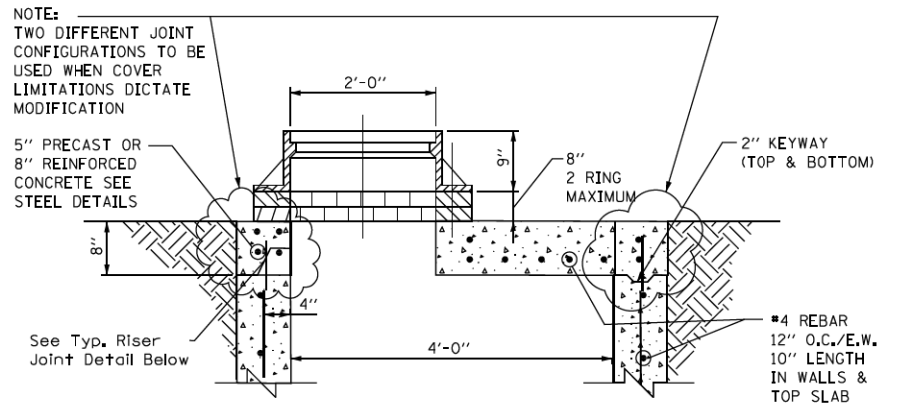
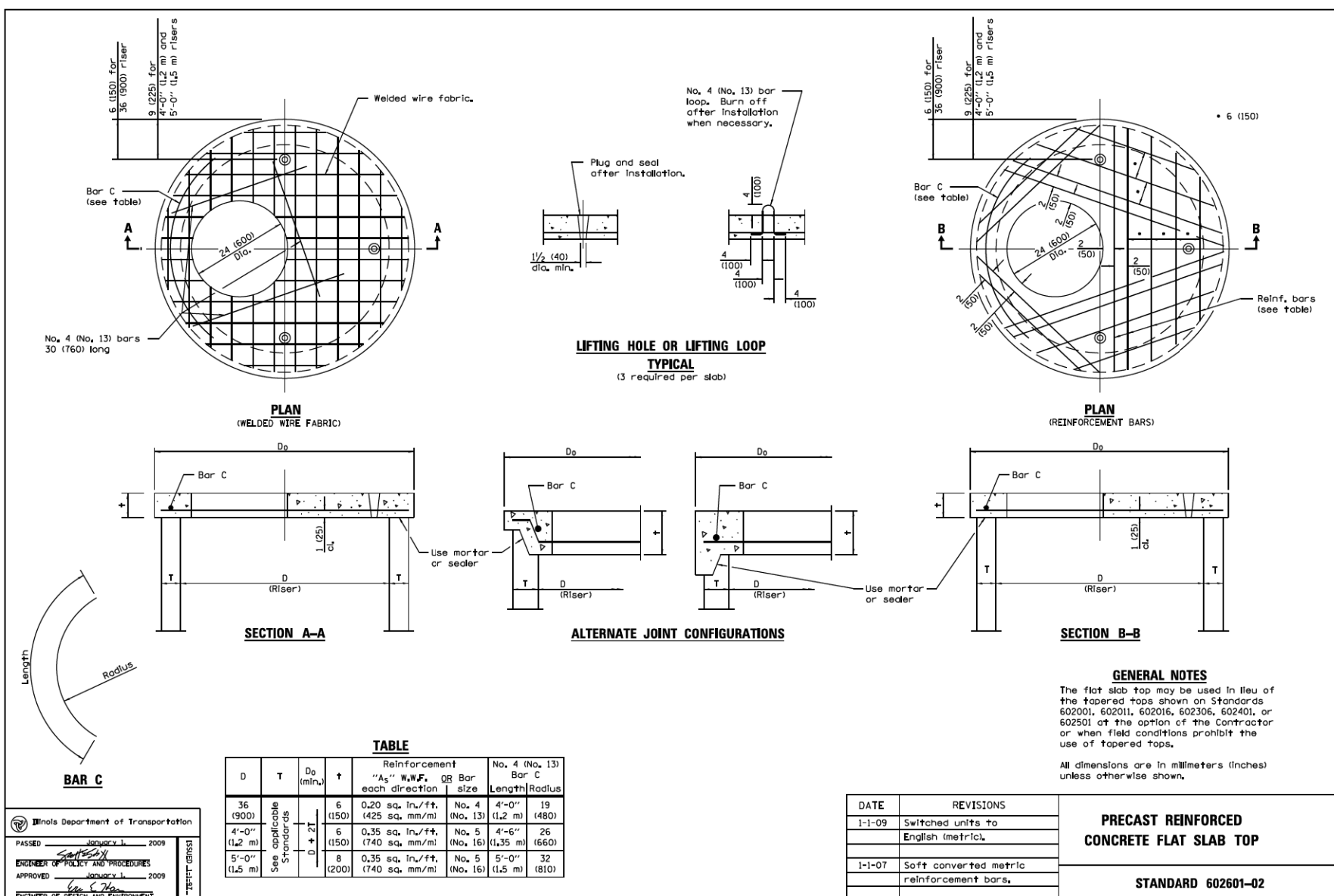
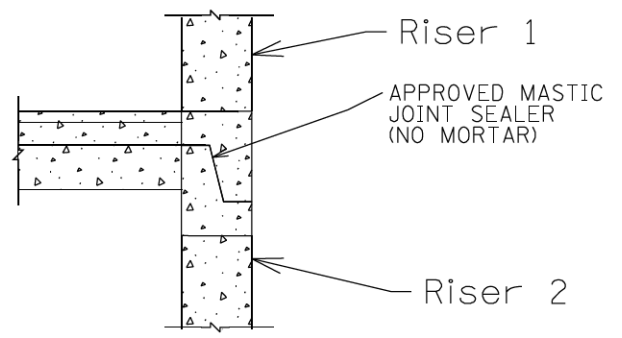


SPECIAL DRAINAGE STRUCTURES FOR PUBLIC STREETS AND ALLEYS



STANDARD FLAT TOP SLAB FOR CATCH BASINS



Riser Joint Detail (Typ.)

NOTE:
 FLAT TOP SLAB CAN ONLY BE USED WITH WRITTEN PERMISSION FROM CDWM.

GENERAL NOTES
 The flat slab top may be used in lieu of the tapered tops shown on Standards 602001, 602011, 602016, 602306, 602401, or 602501 at the option of the Contractor or when field conditions prohibit the use of tapered tops.
 All dimensions are in millimeters (inches) unless otherwise shown.

DATE	REVISIONS
1-1-09	Switched units to English metric.
1-1-07	Soft converted metric reinforcement bars.

PRECAST REINFORCED CONCRETE FLAT SLAB TOP
STANDARD 602601-02

Illinois Department of Transportation
 PASSED January 1, 2009
 ENGINEER OF POLICY AND PROCEDURES
 APPROVED January 1, 2009
 ENGINEER OF DESIGN AND ENVIRONMENT

STANDARD REVISIONS	
DATE	DESCRIPTION
12/21/11	APPROVED PLAN

PERCENT COMPLETE	DATE
30	
60	
75	
90	
100	

CITY OF CHICAGO
 DEPARTMENT OF WATER MANAGEMENT
 BUREAU OF ENGINEERING SERVICES

FLAT TOP SLAB DETAILS

DRAWN: []
 CHECKED: []
 REVIEWED: []

A.8

PN OF

D160W29-Sht-CDWM-04.dgn	DESIGNED - CDWM	REVISED - 12/18/2013
USER NAME = BAWtor.t	DRAWN - CDWM	REVISED -
PLOT SCALE = 2.0000' / in.	CHECKED - CDWM	REVISED -
PLOT DATE = 12/19/2013	DATE - 10/30/2013	REVISED -

STATE OF ILLINOIS
DEPARTMENT OF TRANSPORTATION

CITY OF CHICAGO - DEPARTMENT OF WATER MANAGEMENT
STANDARD DETAILS A.8

F.A.I. RTE. 90/94/290	SECTION 2013-011R	COUNTY COOK	TOTAL SHEETS 356	SHEET NO. 344
SCALE: NONE SHEET 4 OF 6 SHEETS STA. TO STA.			CONTRACT NO. 60W29	
ILLINOIS FED. AID PROJECT				

G:\CH12\0137\0137Data\In\CDOT\Standards\2013-08-07 CDWM Standards from AECOM Anna\CDWM_Details.cel
 12/18/2013
 FILE PATH = p:\388035-p\m\ae\cdm\01\americas\Transportation\602601-02-Roadway\Sheets\60W29-Sht-CDWM-04.dgn