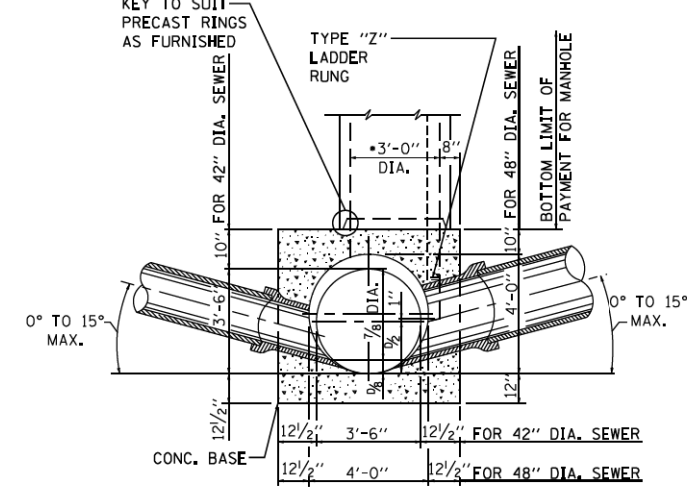
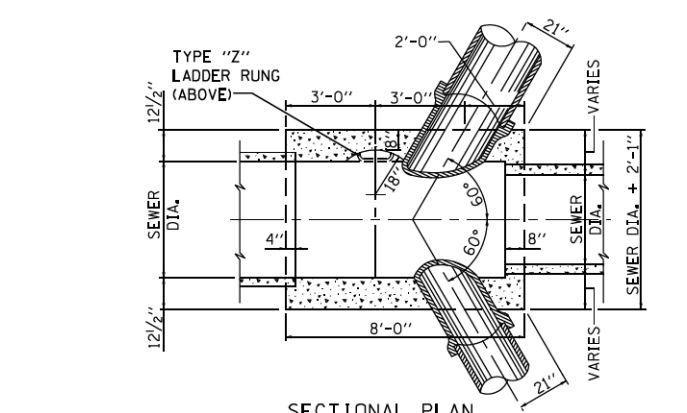
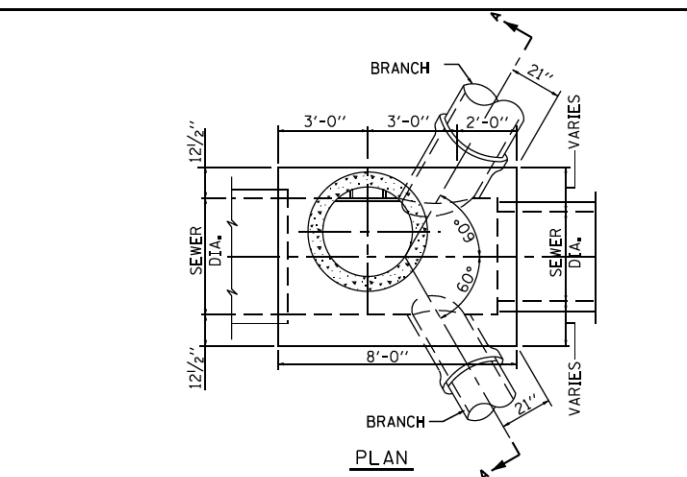
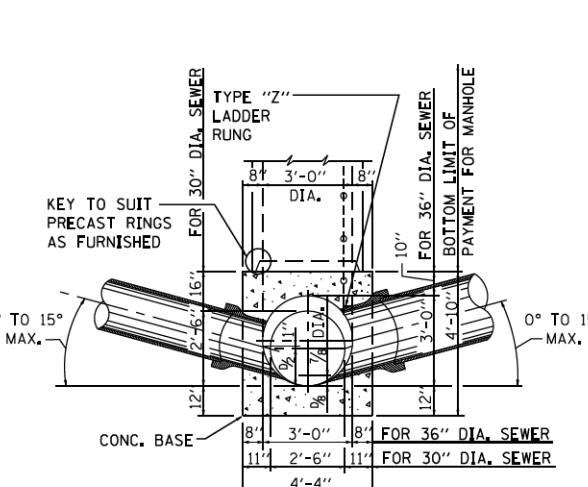
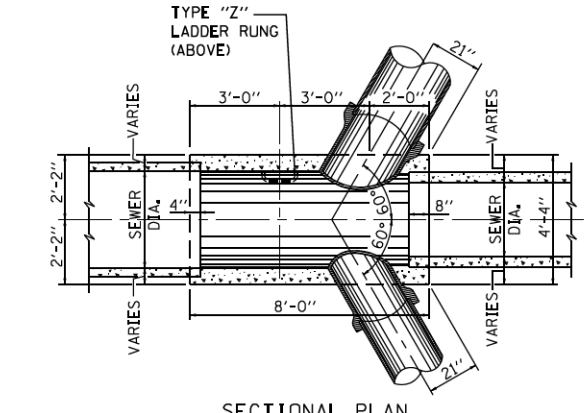
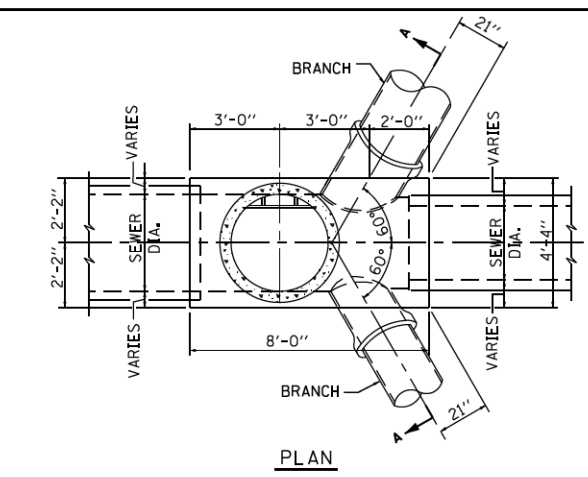


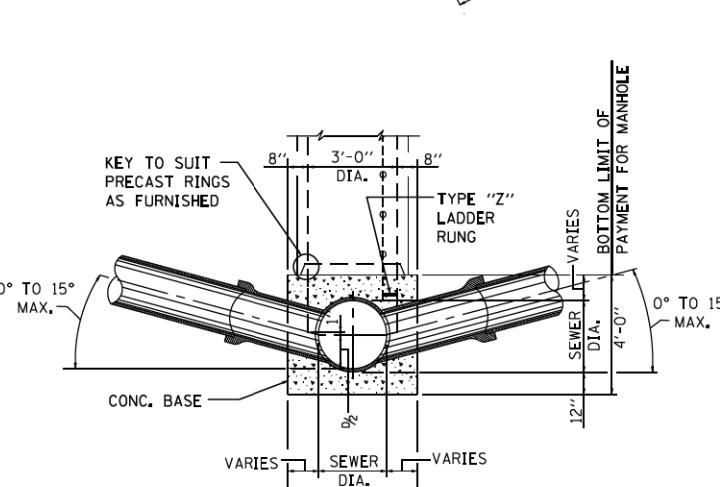
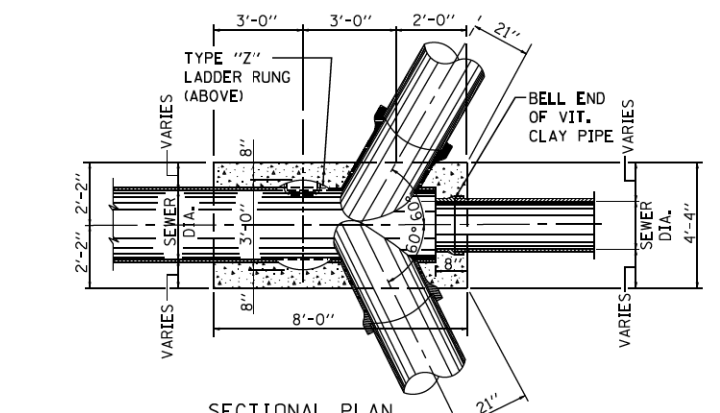
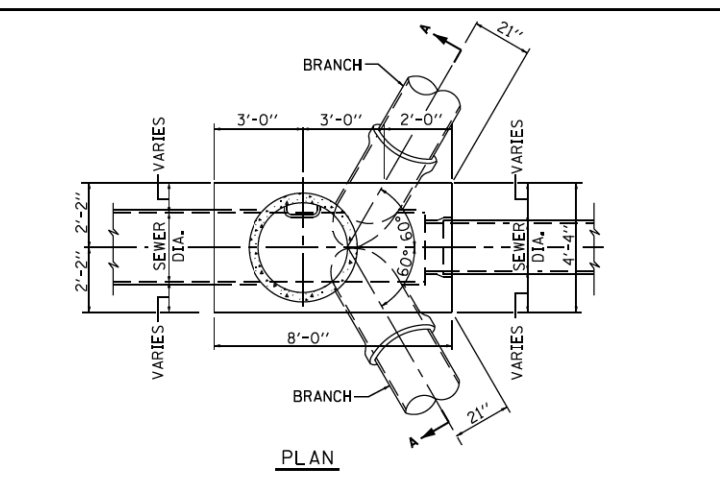
FILE PATH = p:\388035-p\m\ae\cdm\05.dgn
 G:\CH12\0137\0137Data\In\CDOT\Standards\2013-08-07 CDWM Standards from AECOM Anna\CDWM_Details.cel
 12/18/2013



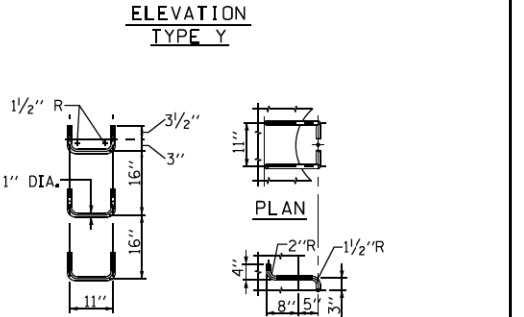
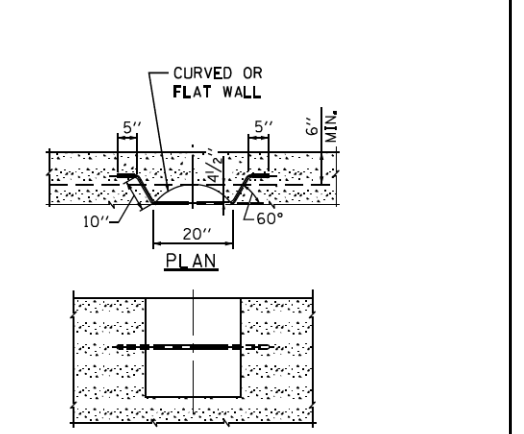
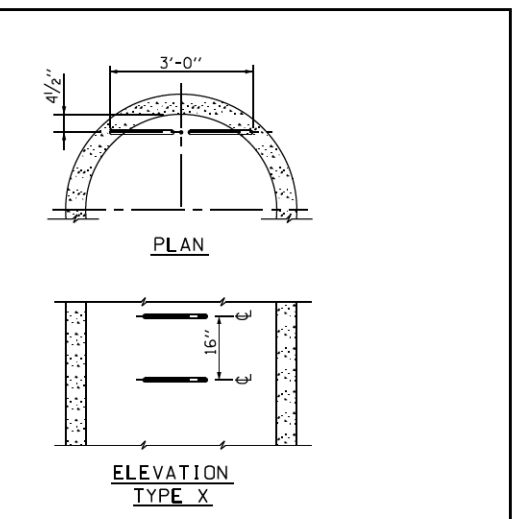
SECTION A-A
TYPE "B" MANHOLE
 FOR SEWERS 48" DIA. & 42" DIA.



SECTION A-A
TYPE "B" MANHOLE
 FOR SEWERS 36" DIA. & 30" DIA.



SECTION A-A
TYPE "B" MANHOLE
 FOR SEWERS 24" DIA. & SMALLER



STANDARD LADDER RUNGS
 ALL LADDER RUNGS MUST BE ALUMINUM AS SPECIFIED IN THE SPECIFICATIONS, RUNGS MUST BE 1" DIAMETER OR OF A SHAPE HAVING AN EQUIVALENT CROSS-SECTIONAL AREA.

NOTES FOR TYPE "B" MANHOLES:
 STUBS IN MANHOLE BASES TO BE PAID FOR AS PART OF THE ITEMS OR ITEMS
 FOR REINFORCEMENT STEEL DETAILS OF MANHOLE BASE SEE SHEET NO.

STANDARD REVISIONS	
DATE	DESCRIPTION
12/01/09	APPROVED PLAN

PERCENT COMPLETE	DATE
30	
60	
75	
90	
100	

CITY OF CHICAGO DEPARTMENT OF WATER MANAGEMENT BUREAU OF ENGINEERING SERVICES		DRAWN: _____ CHECKED: _____ REVIEWED: _____	A.9
TYPE "B" MANHOLE		_____ OF _____	
		PN _____	

D:\02\29-Sht-CDWM-05.dgn	DESIGNED - CDWM	REVISED - 12/18/2013
USER NAME = BAW1tor1	DRAWN - CDWM	REVISED -
PLOT SCALE = 2.0000' / in.	CHECKED - CDWM	REVISED -
PLOT DATE = 12/19/2013	DATE - 10/30/2013	REVISED -

STATE OF ILLINOIS
 DEPARTMENT OF TRANSPORTATION

CITY OF CHICAGO - DEPARTMENT OF WATER MANAGEMENT
 STANDARD DETAILS A.9
 SCALE: NONE SHEET 5 OF 6 SHEETS STA. TO STA.

F.A.I. R.T.E. 90/94/290	SECTION 2013-01R	COUNTY COOK	TOTAL SHEETS 356	SHEET NO. 345
ILLINOIS FED. AID PROJECT			CONTRACT NO. 60W29	