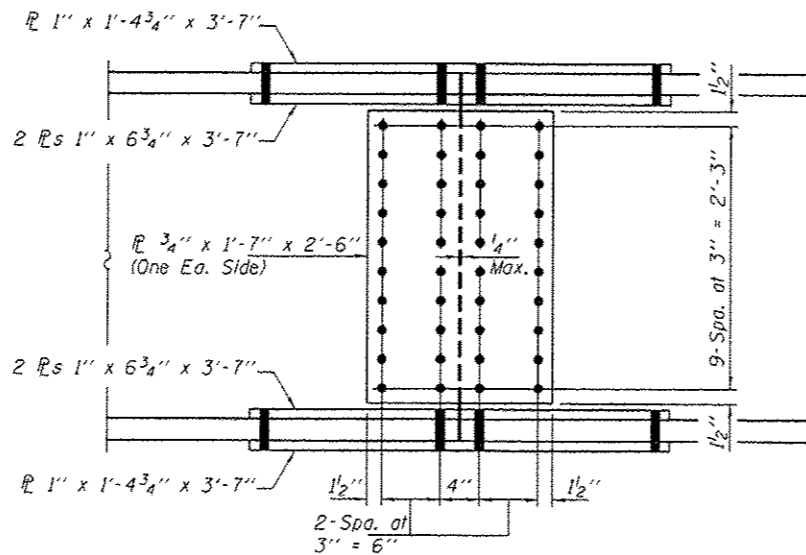
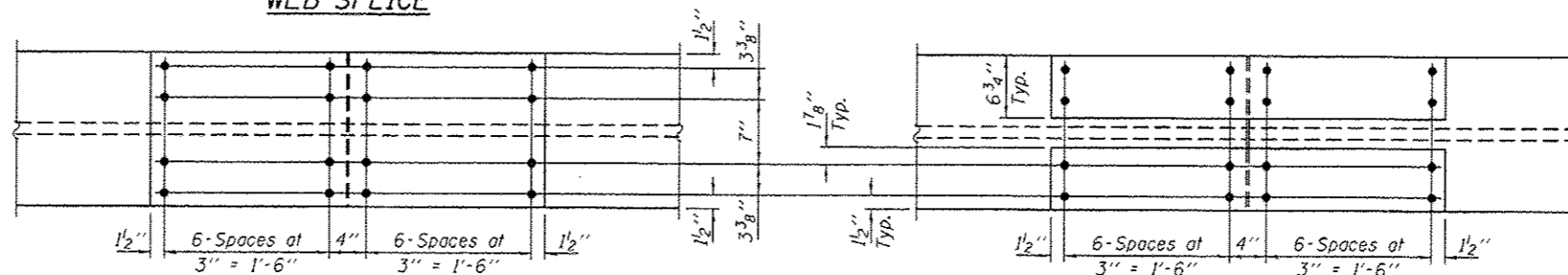


SECTION A-A

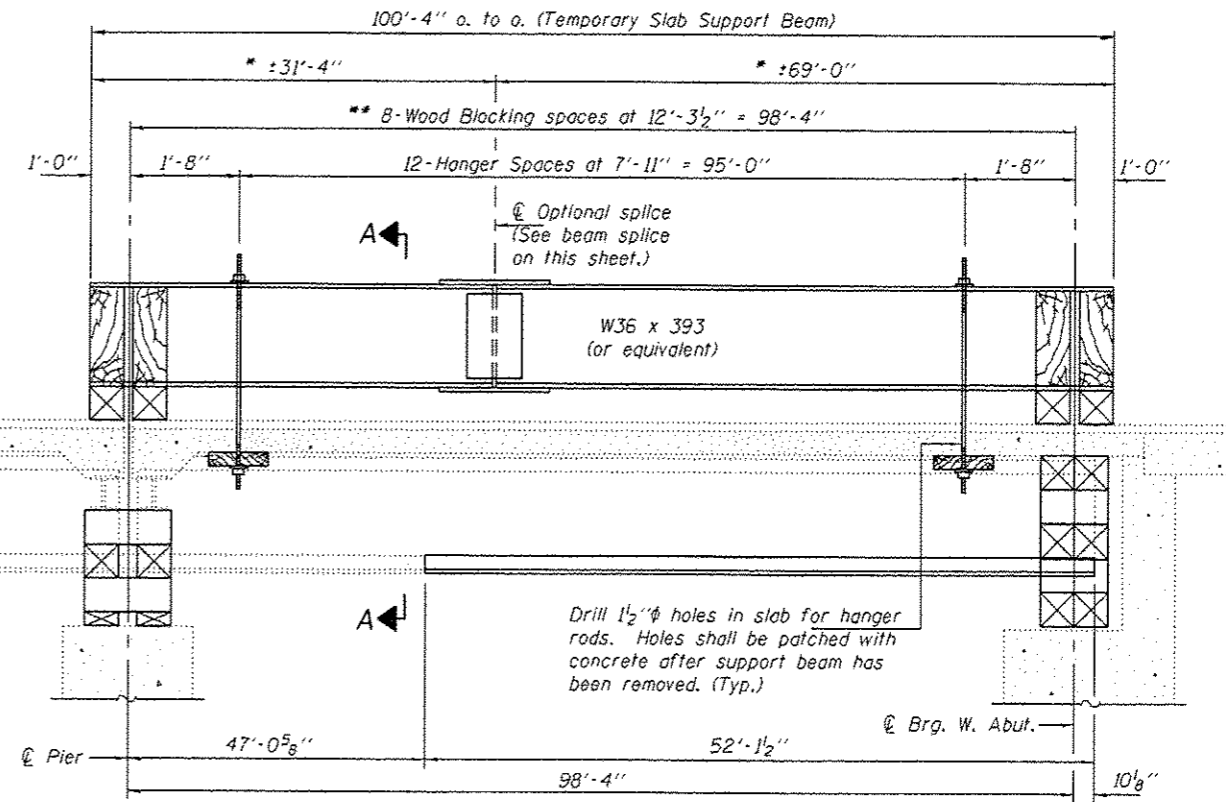


WEB SPLICE



OUTSIDE FLANGE SPLICE

INSIDE FLANGE SPLICE



LONGITUDINAL SECTION  
SUGGESTED TEMPORARY SLAB SUPPORT SYSTEM

- \* These dimensions may vary for available beams in stock.
- \*\* Wood Blocking between supports to be placed after support beam deflects under its own weight.

DESIGNED - DAB	EXAMINED - Timothy A. Gault
CHECKED - SMR	ACTING ENGINEER OF STRUCTURAL SERVICES
DRAWN - Kyle M. Stoffen	PASSED - Carl Perry
CHECKED - DAB	SMR

DATE - NOVEMBER 15, 2013
STATE OF ILLINOIS DEPARTMENT OF TRANSPORTATION

STATE OF ILLINOIS  
DEPARTMENT OF TRANSPORTATION

TEMPORARY SLAB SUPPORT SYSTEM DETAILS  
SN 016-2050

SHEET NO. 4 OF 4 SHEETS

F.A. RTE.	SECTION	COUNTY	TOTAL SHEETS	SHEET NO.
VAR	2013-044BR	COOK	35	21
CONTRACT NO. 60W94				
ILLINOIS FED. AID PROJECT				