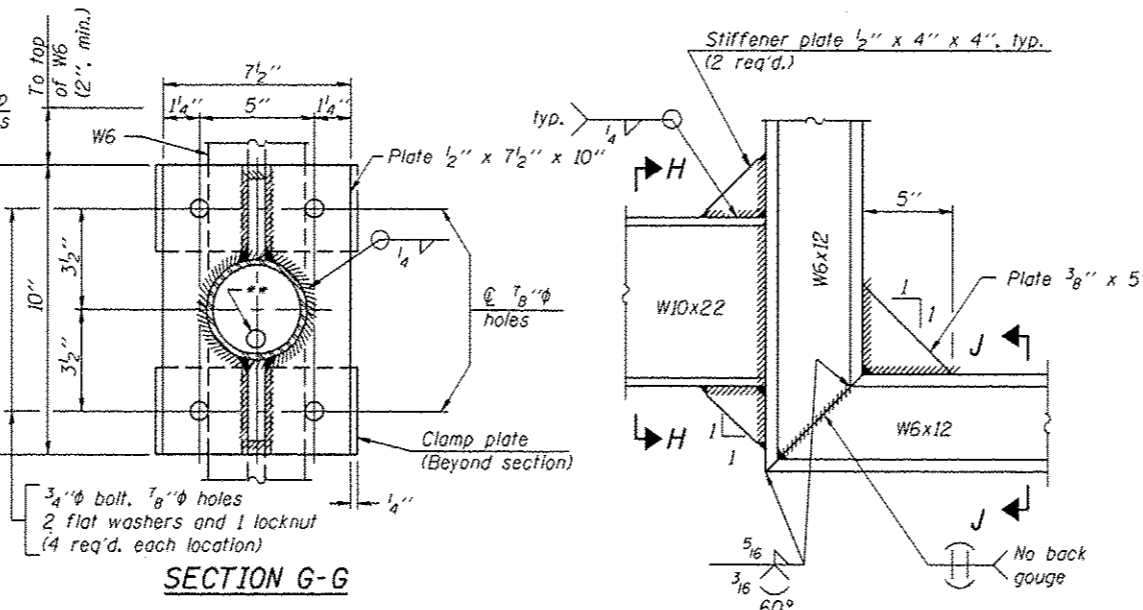
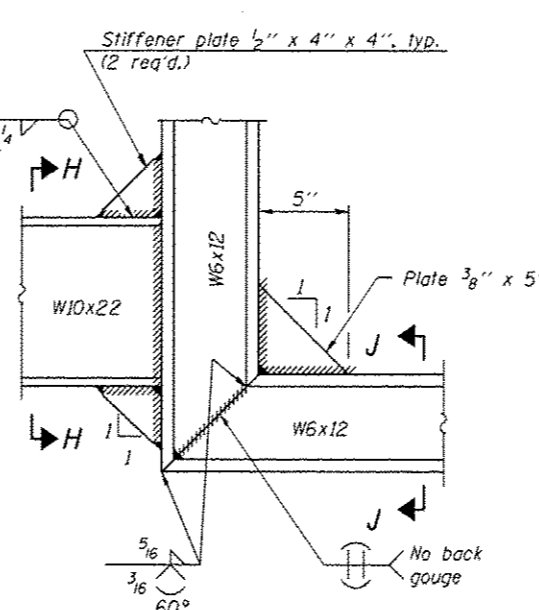


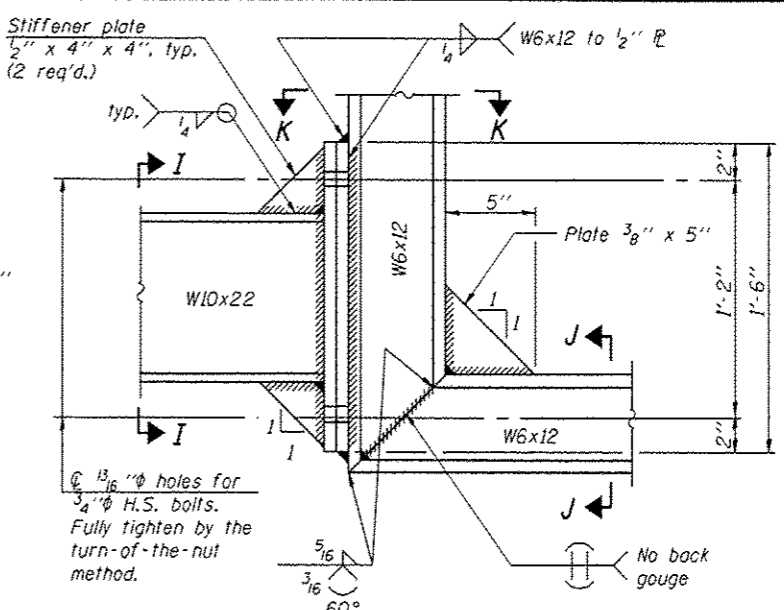
**DETAIL A**



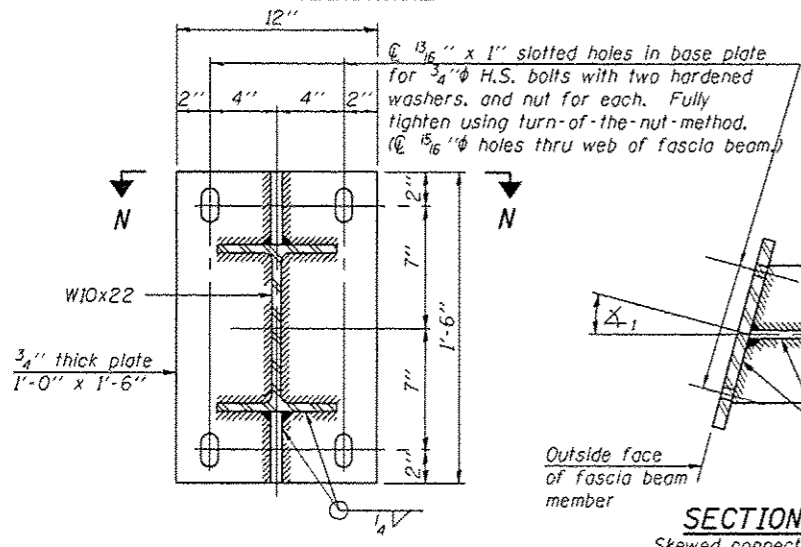
**SECTION G-G**



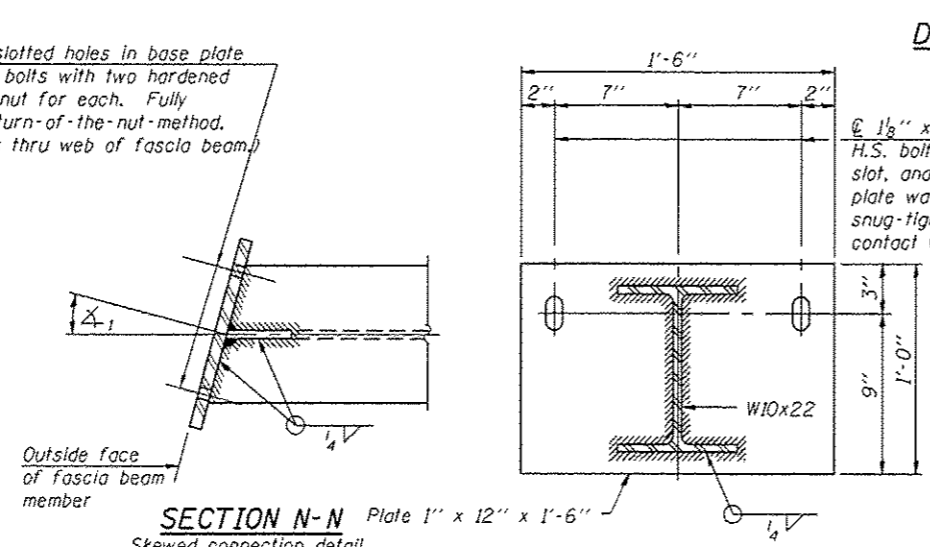
**DETAIL B - WELDED W10x22 TO W6x12 CONNECTION**



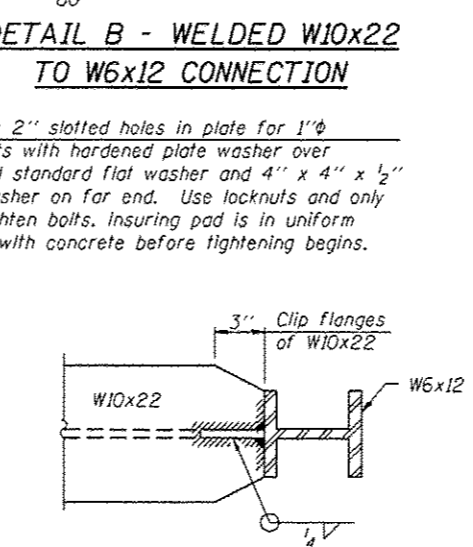
**DETAIL B - ALTERNATE BOLTED W10x22 TO W6x12 CONNECTION**



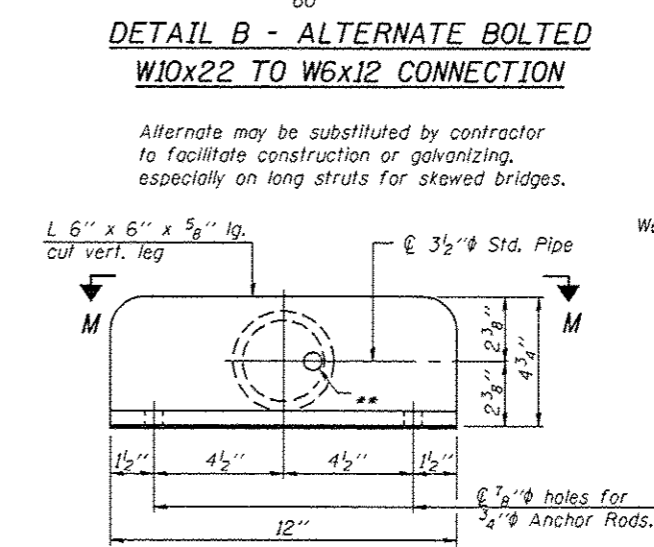
**SECTION C-C**  
Steel beam or girder connection plate details



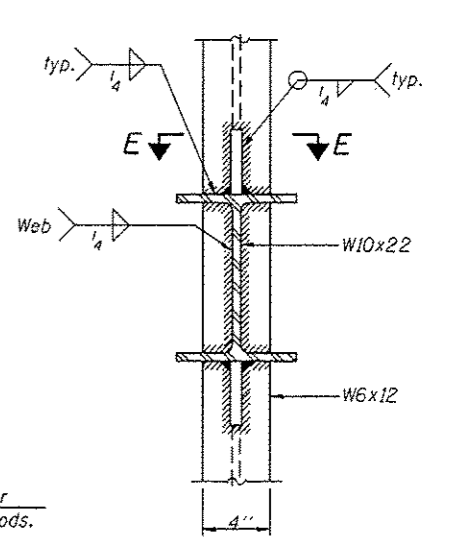
**SECTION D-D**  
Concrete beam or girder connection plate details.



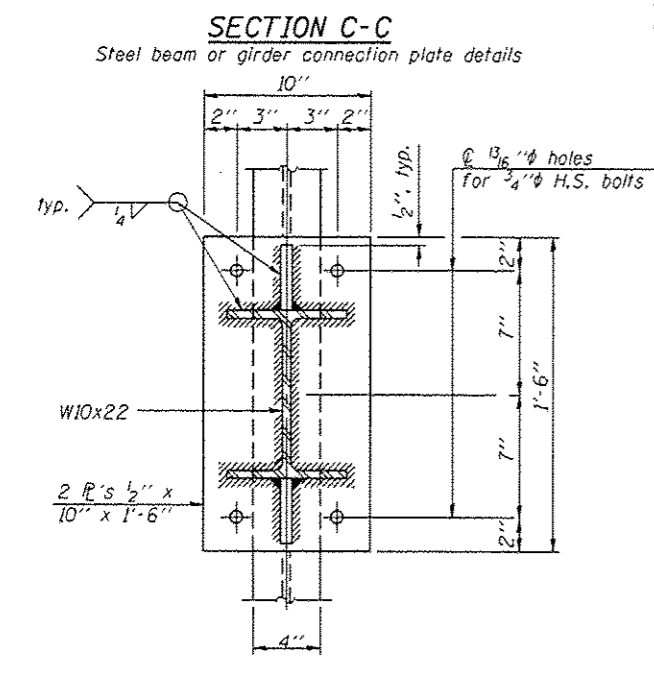
**SECTION E-E**



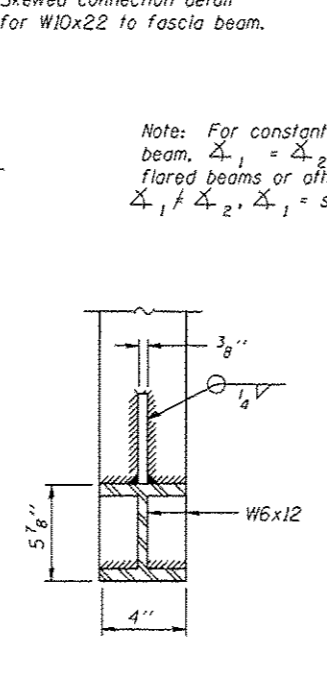
**VIEW F-F**



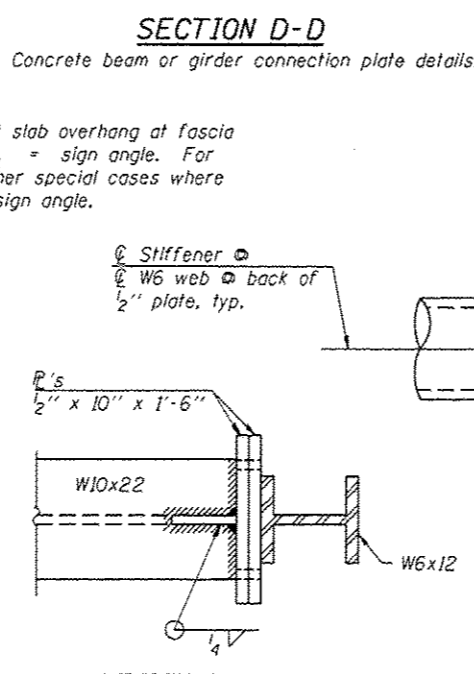
**SECTION H-H**



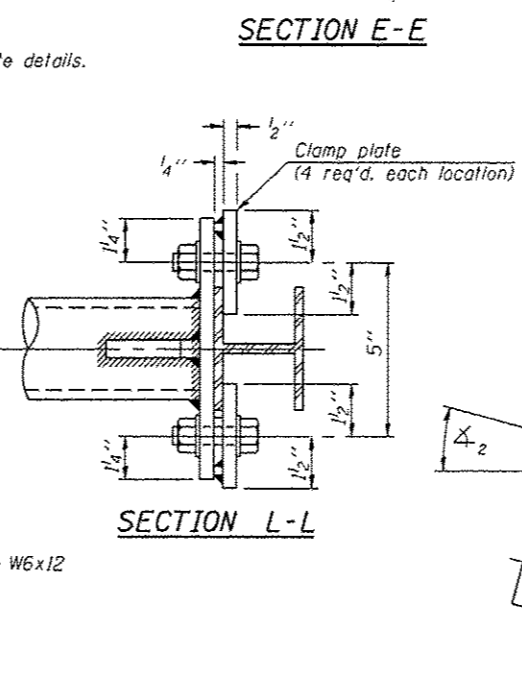
**SECTION I-I**



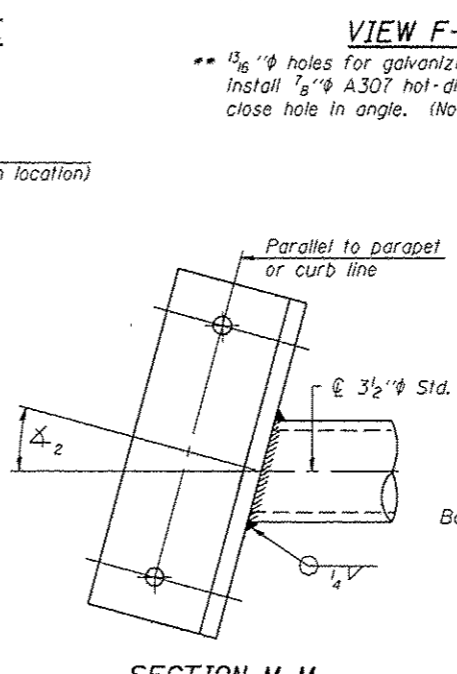
**SECTION J-J**



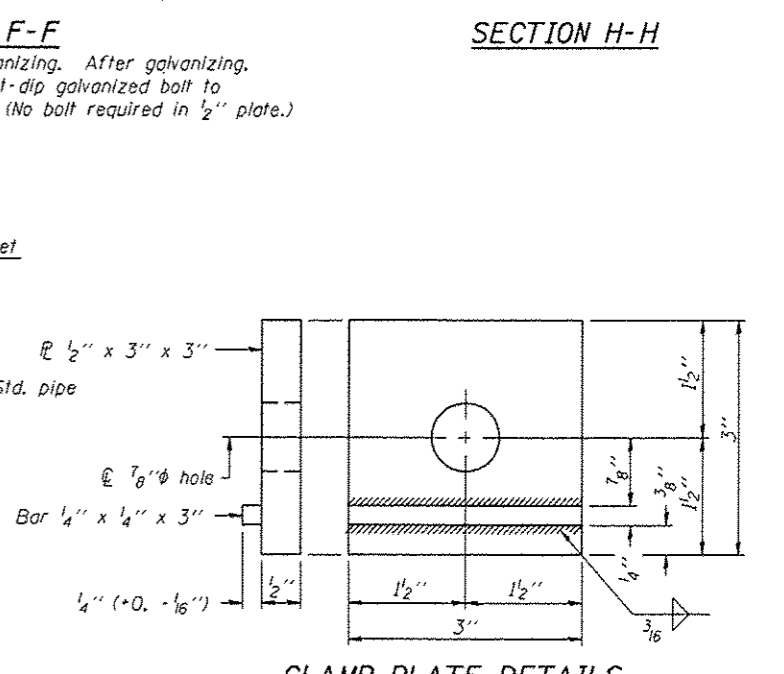
**SECTION K-K**



**SECTION L-L**



**SECTION M-M**  
Skewed connection detail for 3 1/2\"/>



**CLAMP PLATE DETAILS**

Note: For constant slab overhang at fascia beam,  $\Delta_1 = \Delta_2 =$  sign angle. For flared beams or other special cases where  $\Delta_1 \neq \Delta_2$ ,  $\Delta_1 =$  sign angle.

\*\* 13/16\"/>

BM-3 1-20-11

DESIGNED - DAB	EXAMINED - <i>Timothy A. Aaga</i>
CHECKED - TLC	PASSED - <i>Carl Perry</i>
DRAWN - Kyle M. Steffon	
CHECKED - DAB TLC	

DATE - NOVEMBER 15, 2013	ACTING ENGINEER OF STRUCTURAL SERVICES
	ACTING ENGINEER OF BRIDGES AND STRUCTURES

STATE OF ILLINOIS  
DEPARTMENT OF TRANSPORTATION

BRIDGE MOUNT SIGN STRUCTURES  
CONNECTION DETAILS  
SN 016-2068  
SHEET NO. 1 OF 7 SHEETS

F.A. RTE.	SECTION	COUNTY	TOTAL SHEETS	SHEET NO.
VAR	2013-044BR	COOK	35	28
CONTRACT NO. 60W94			ILLINOIS FED. AID PROJECT	