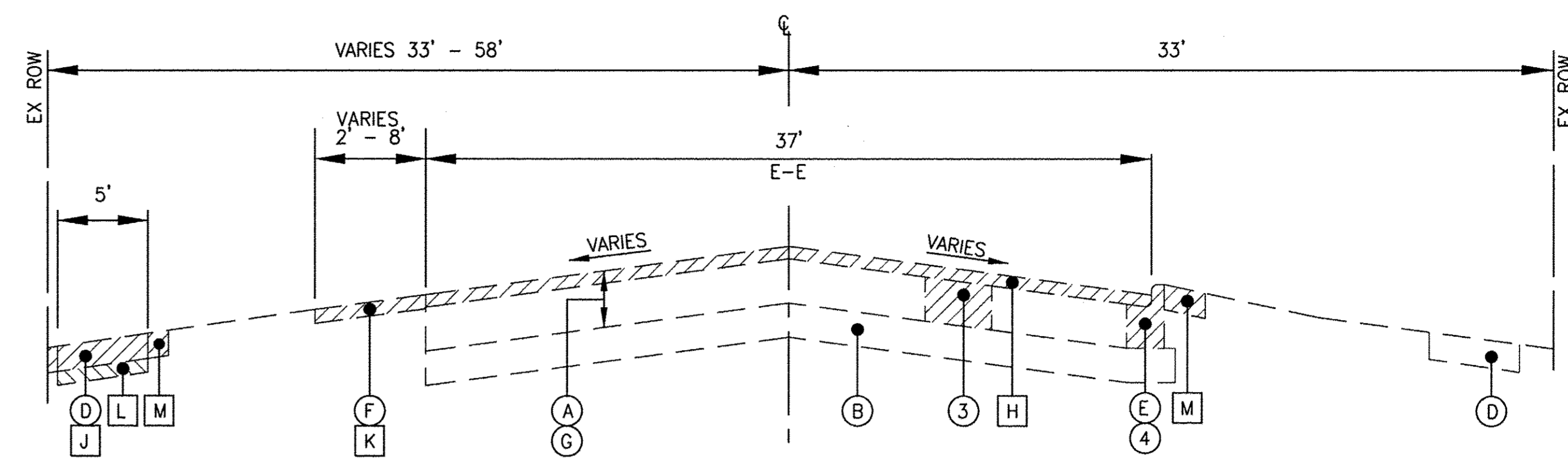
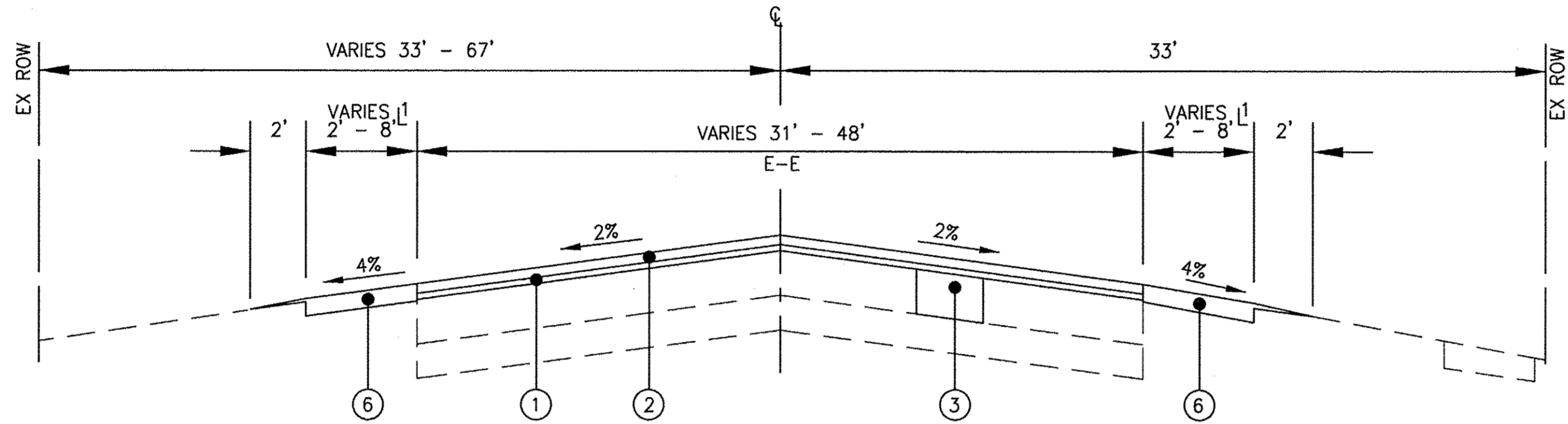


EXISTING TYPICAL SECTION
CLAIRE BOULEVARD
STA 19+40 TO STA 26+04
STA 42+00 TO STA 47+33

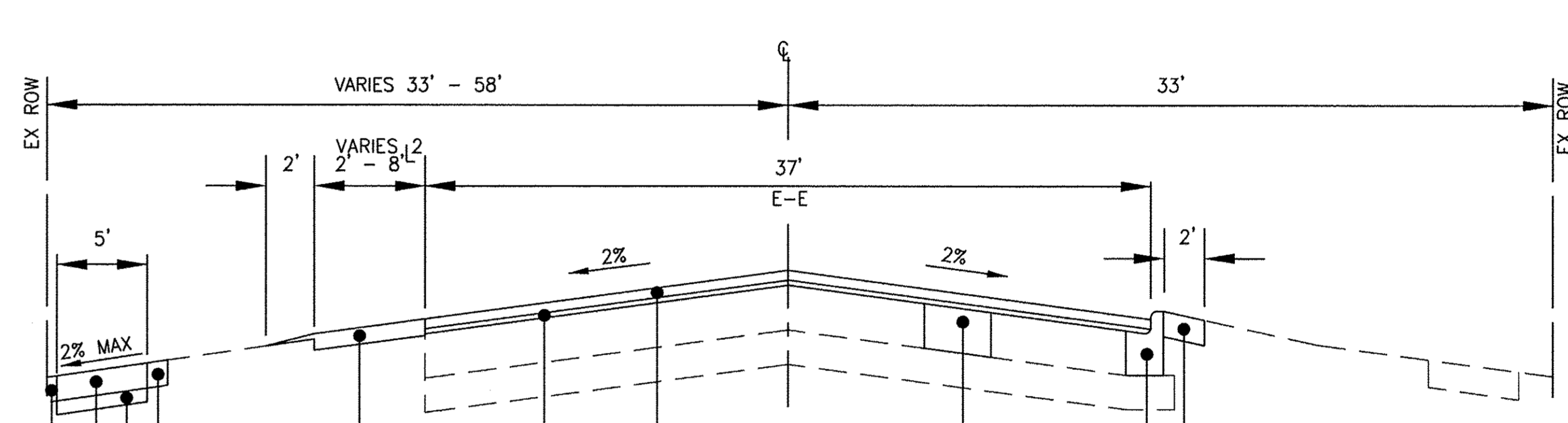


EXISTING TYPICAL SECTION
CLAIRE BOULEVARD
STA 26+04 TO STA 42+00



PROPOSED TYPICAL SECTION
CLAIRE BOULEVARD
STA 19+40 TO STA 26+04
STA 42+00 TO STA 47+33

1 STA 42+00 TO STA 47+33



PROPOSED TYPICAL SECTION
CLAIRE BOULEVARD
STA 26+04 TO STA 42+00

2 STA 38+16 TO STA 42+00

HOT-MIX ASPHALT MIXTURE REQUIREMENTS

MIXTURE TYPE	AIR VOIDS @ Ndes
PAVEMENT RESURFACING	
HOT-MIX ASPHALT SURFACE COURSE, MIX "D", N50, (IL 9.5mm); 1 1/2"	4% @ 50 Gyr.
POLYMERIZED LEVELING BINDER (MACHINE METHOD), IL-4.75, N50, 3/4"	3.5% @ 50 Gyr.
PATCHING	
CLASS D PATCHES (HMA BINDER IL-19 mm), 14" (5 LIFTS)	4% @ 70 Gyr.

THE UNIT WEIGHT USED TO CALCULATE ALL HMA SURFACE MIXTURE QUANTITIES IS 112 LBS/SQ YD/IN.

THE "AC TYPE" FOR POLYMERIZED HMA MIXES SHALL BE "SBS/SBR PG 70-22" AND FOR NON-POLYMERIZED HMA THE "AC TYPE" SHALL BE "PG 64-22" UNLESS MODIFIED BY THE DISTRICT ONE SPECIAL PROVISIONS.

FOR "PERCENT OF RAP" SEE DISTRICT ONE SPECIAL PROVISIONS.

THE CONTRACTOR SHALL MILL BEFORE PATCHING

EXISTING PAVEMENT DATA

CORE NUMBER	HMA THICKNESS	PCC BASE THICKNESS
B-8	6.5	6
B-9	6.5	10
B-10	5.25	10.25
B-12	5	10
B-13	5.5	9.75
B-14	4	10
B-16	4	11.5

LEGEND

EXISTING

- (A) EXISTING HOT-MIX ASPHALT SURFACE
- (B) EXISTING AGGREGATE BASE
- (C) RESERVED
- (D) EXISTING SIDEWALK
- (E) EXISTING COMBINATION CONCRETE CURB AND GUTTER
- (F) EXISTING AGGREGATE SHOULDER
- (G) EXISTING PCC BASE COURSE
- (H) HOT-MIX ASPHALT SURFACE REMOVAL - 2"
- (J) SIDEWALK REMOVAL
- (K) EXCAVATING AND GRADING OF EXISTING SHOULDER (AS DETERMINED BY THE ENGINEER)
- (L) AGGREGATE BASE COURSE REMOVAL (NOT PAID FOR SEPARATELY)
- (M) REMOVAL AND DISPOSAL OF UNSUITABLE MATERIAL (TOPSOIL) (NOT PAID FOR SEPARATELY WHEN ADJACENT TO EXISTING SIDEWALK OR CURB AND GUTTER)
- [Hatched Box] ITEMS TO BE REMOVED

PROPOSED

- (1) POLYMERIZED LEVELING BINDER (MACHINE METHOD), IL-4.75, N50 - 3/4"
- (2) HOT-MIX ASPHALT SURFACE COURSE, MIX "D", N50 - 1 1/2"
- (3) CLASS D PATCHES - 14" (AS DETERMINED BY THE ENGINEER)
- (4) COMBINATION CONCRETE CURB AND GUTTER REMOVAL AND REPLACEMENT (AS DETERMINED BY THE ENGINEER)
- (5) TOPSOIL FURNISH AND PLACE, 4"; SODDING
- (6) AGGREGATE WEDGE SHOULDER, TYPE B
- (7) RESERVED
- (8) PCC SIDEWALK, 5-INCH (AS DETERMINED BY THE ENGINEER)
- (9) AGGREGATE BASE COURSE, TYPE B, 4"

COPYRIGHT © 2013 BY BAXTER & WOODMAN, INC.
 STATE OF ILLINOIS - PROFESSIONAL DESIGN FIRM
 LICENSE NO. - 184-00121 - EXPIRES 4/30/2015
 5606cr 11/25/2013 3:02:31PM
 ...:\plot\rv\pdf-bw_Default.pdf
 ...:\30097_SouthPen.tbl
 I:\CrystallLake\ROBMS\130097-40-Claire Blvd\CADD\Drawings\Claire South\130097SHT-TypSec.dgn



DESIGNED - JDM	REVISED - 2-20-14
DRAWN - KAR	REVISED -
CHECKED - MWP	REVISED -
DATE - 10-18-13	FILE - 130097SHT-TypSec.dgn

STATE OF ILLINOIS
DEPARTMENT OF TRANSPORTATION

TYPICAL SECTIONS

SCALE: NONE

STA. TO STA.

F.A.U. RTE.	SECTION	COUNTY	TOTAL SHEETS	SHEET NO.
1008	13-00028-00-RS	COOK	17	5
FED. ROAD DIST. NO. ILLINOIS FED. AID PROJECT M-400312551				CONTRACT NO. 61A06