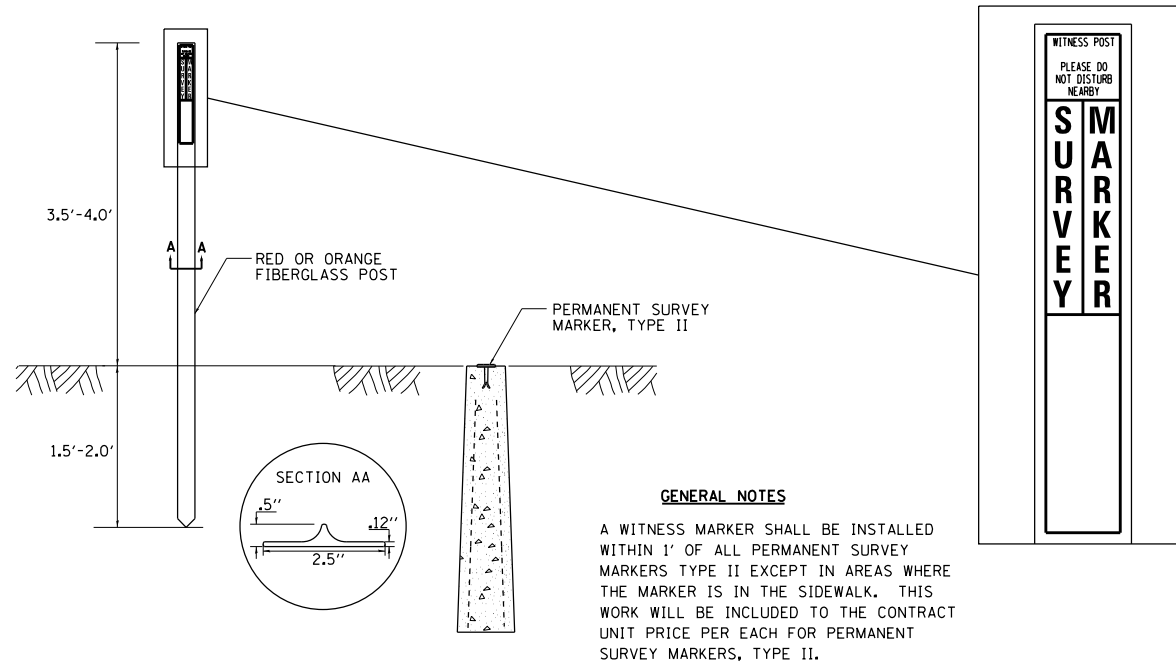
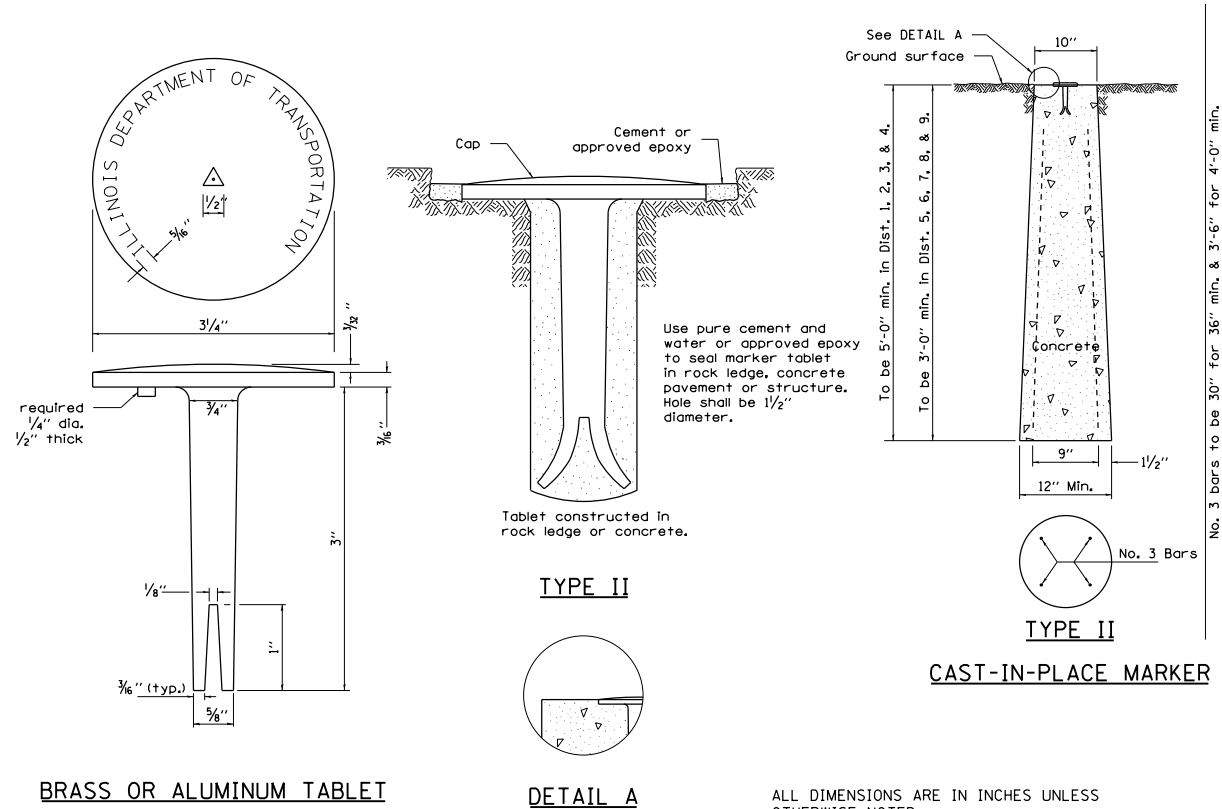


# WITNESS MARKER FOR PERMANENT SURVEY MARKERS, TYPE II



# PERMANENT SURVEY MARKERS, TYPE II



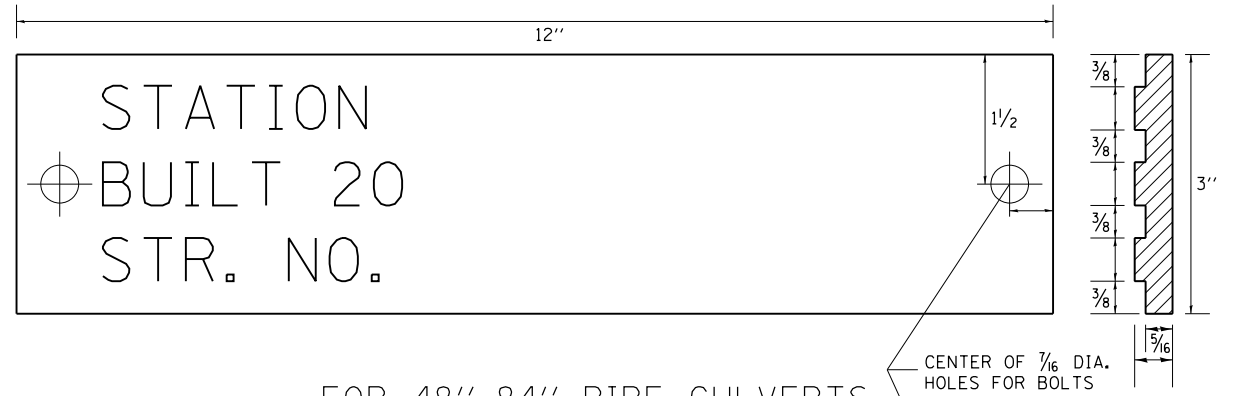
REVISED - 10-14-11

ALL DIMENSIONS ARE IN INCHES UNLESS OTHERWISE NOTED.

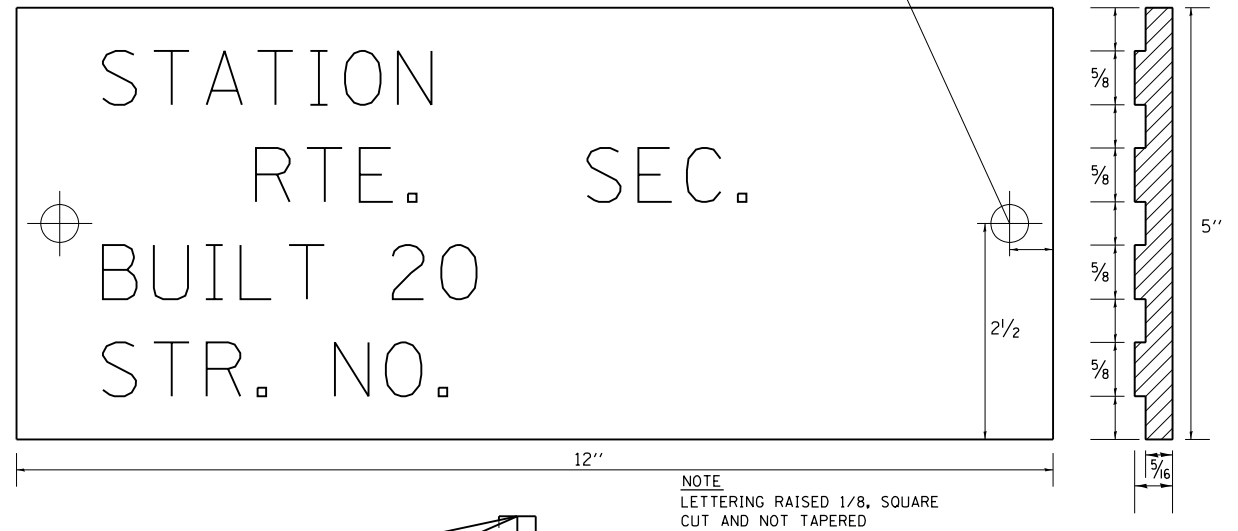
WITNESS MARKER & PERMANENT SURVEY MARKERS, TYPE II 66.2

# NAME PLATE FOR CULVERTS

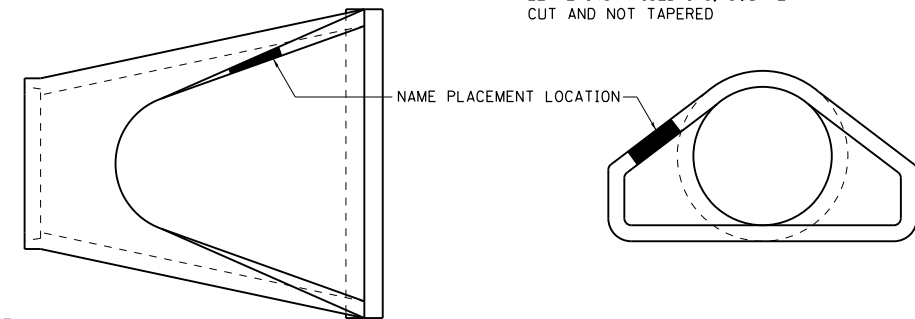
FOR 24"-42" PIPE CULVERTS



FOR 48"-84" PIPE CULVERTS



NOTE: LETTERING RAISED 1/8, SQUARE CUT AND NOT TAPERED



### DESIGNERS NOTE

NAME PLATES SHALL BE FURNISHED & INSTALLED ACCORDING TO SECTION 515 OF THE STANDARD SPECIFICATIONS, EXCEPT 2 BOLTS SHALL BE USE TO FASTEN THE PLATE TO THE END SECTION.

USE STANDARD 515001 FOR BRIDGES AND MULTI-CELL CULVERTS WITH SPANS OF 20' OR MORE MEASURED ALONG THE CENTERLINE AT THE HIGHWAY.

USE THIS DETAIL FOR ALL OTHER PIPE CULVERTS & BOX CULVERTS WITH STRUCTURE NUMBERS. INCLUDE THE INFORMATION TO FILL OUT THE NAME PLATE FOR EACH CULVERT.

IN BOTH CASES INCLUDE A PAY ITEM FOR NAME PLATES.

REVISED - 5-27-09

STATION	STRUCTURE NO.
412+60.59	101-1236

NAME PLATE FOR CULVERTS 88.2