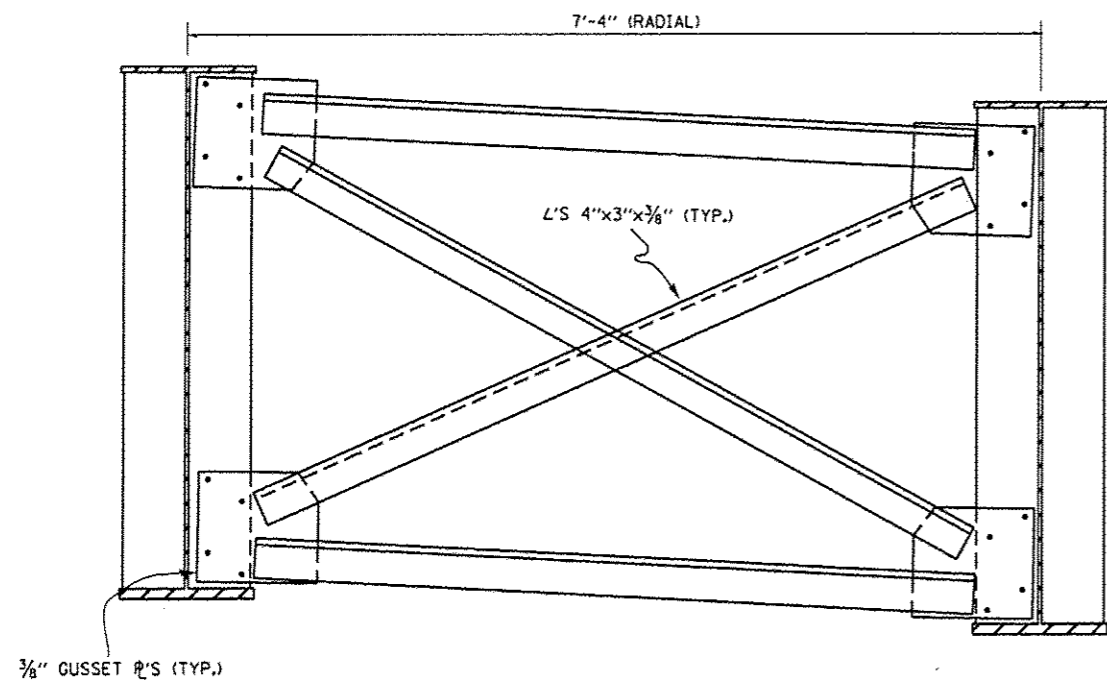
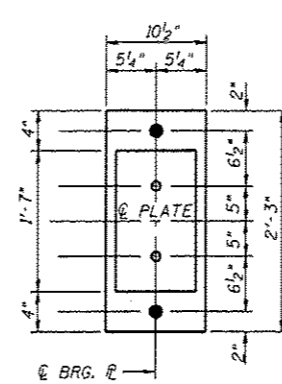


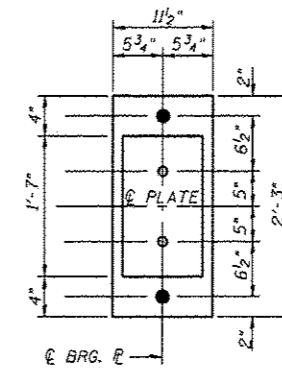
**END DIAPHRAGM - "D"**  
20 - EXISTING



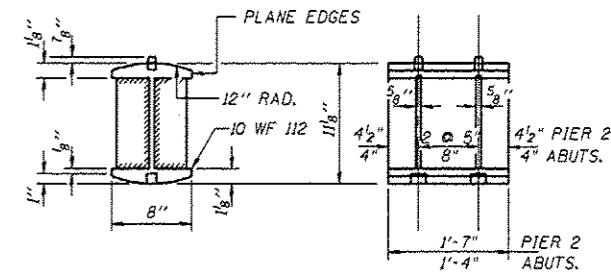
**INTERMEDIATE DIAPHRAGM - "D1"**  
150 - EXISTING



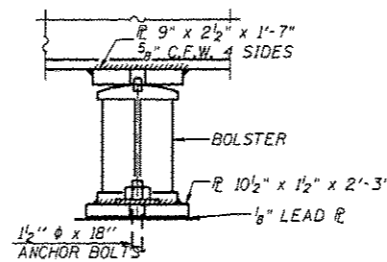
**PLAN AT PIER 1**



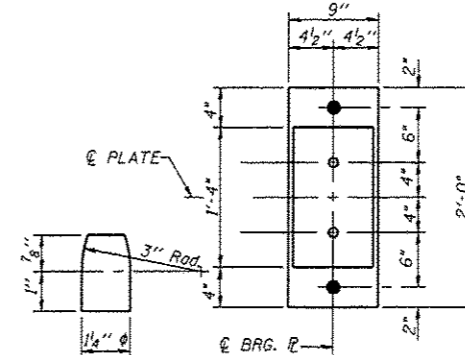
**PLAN AT PIER 2**



**ROCKER**

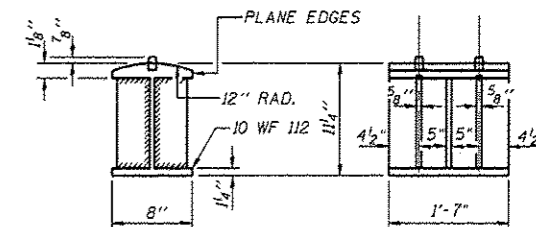


**ELEVATION**

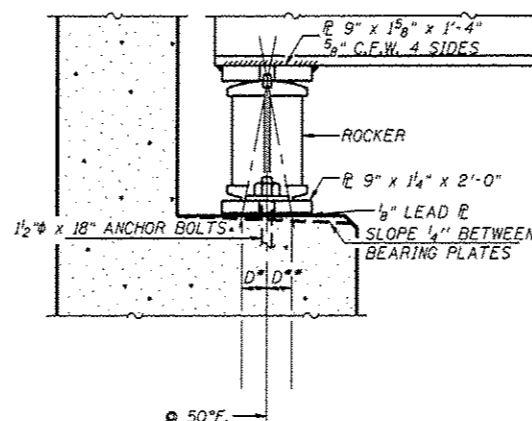


**PINTLE**

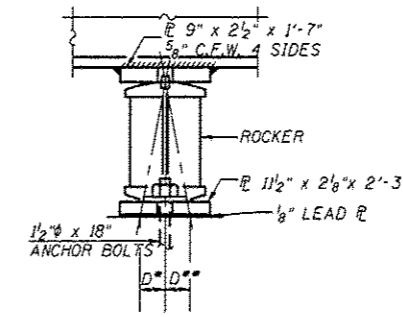
**PLAN**



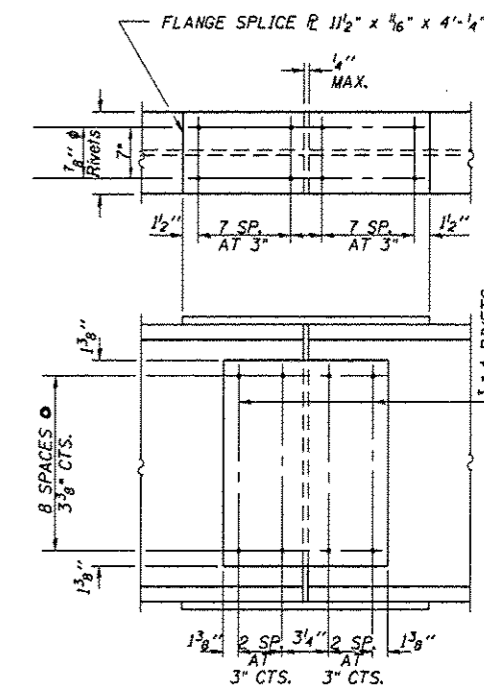
**BOLSTER**



**SECTION AT ABUTMENT**



**ELEVATION** D\*2 - FIXED PIER



**SPLICE**

**"FOR INFORMATION ONLY"**

FILE NAME *	USER NAME = Patel,j	DESIGNED - R WOODSHANK	REVISED -	STATE OF ILLINOIS DEPARTMENT OF TRANSPORTATION	STRUCTURAL STEEL DETAILS - CONT'D SN: 006-0059 & 006-0060	F.A.I. RTE.	SECTION	COUNTY	TOTAL SHEETS	SHEET NO.	
o:\p\work\p\uidot\patel,j\03343832\036611-sht-details.dgn	11-sht-details.dgn	DRAWN - Z SHAW	REVISED -			180	(06-2HB-6)BP	BUREAU	9	9	
PLOT SCALE = 100.0000 ' / in.		CHECKED - Y PATEL	REVISED -			SCALE:	SHEET NO. 2 OF 2 SHEETS	STA.	TO STA.	CONTRACT NO. 66D11	
PLOT DATE = 12/9/2013		DATE -	REVISED -			[ILLINOIS] FED. AID PROJECT					