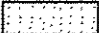

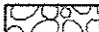
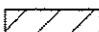
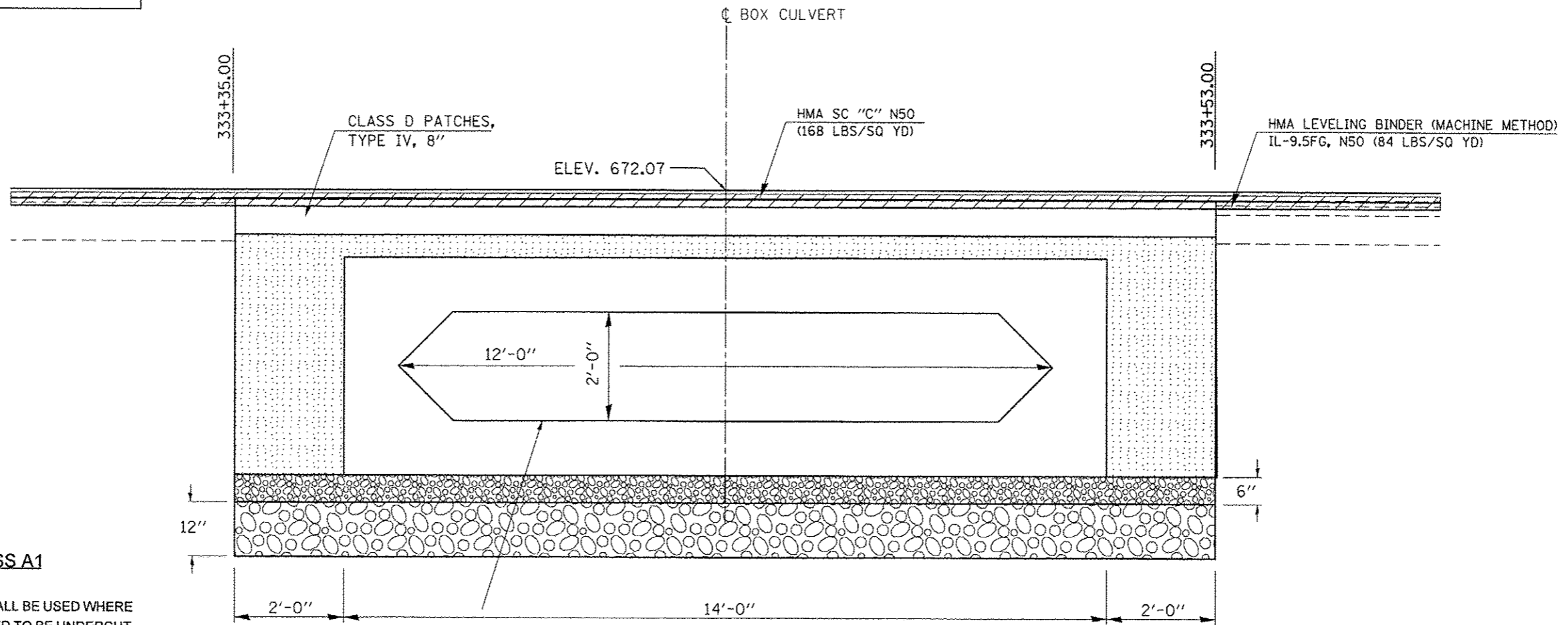


LEGEND

-  POROUS GRANULAR EMBANKMENT
-  BOX CULVERT BEDDING (CA-7 OR CA-11)
-  STONE RIPRAP, CLASS A1
-  HMA SURFACE REM, 1 1/2"



STONE RIPRAP, CLASS A1

STONE RIPRAP, CLASS A1 SHALL BE USED WHERE A.R. CULVERTS ARE REQUIRED TO BE UNDERCUT DUE TO UNSTABLE SOIL CONDITIONS.

WORK SHOWN IN THE DETAIL SHALL BE PERFORMED IN ACCORDANCE WITH APPLICABLE PORTIONS OF SECTION 281 AND SECTION 282 OF THE STANDARD SPECIFICATIONS.

THIS WORK SHALL BE PAID FOR AT THE CONTRACT UNIT PRICE PER TON FOR STONE RIPRAP, CLASS A1. FILTER FABRIC WILL NOT BE PAID FOR SEPARATELY, BUT SHALL BE INCLUDED WITH THE PAY ITEM FOR STONE RIPRAP, CLASS A1.

THE EXCAVATION AND REMOVAL OF UNSUITABLE MATERIAL WILL NOT BE PAID FOR SEPARATELY, BUT SHALL BE INCLUDED WITH THE PAY ITEM FOR STONE RIPRAP, CLASS A1.

PROPOSED U.S.F.L. = 667.93
 PROPOSED D.S.F.L. = 667.82

POROUS GRANULAR EMBANKMENT

POROUS GRANULAR EMBANKMENT SHALL EXTEND 2 FT. BEYOND THE AGGREGATE SHOULDER

WORK SHOWN IN THE DETAIL SHALL BE PERFORMED IN ACCORDANCE WITH APPLICABLE PORTIONS OF SECTION 207 AND SECTION 540 OF THE STANDARD SPECIFICATIONS.

POROUS GRANULAR EMBANKMENT SHALL EXTEND 2 FT. BEYOND THE AGGREGATE SHOULDER

WORK SHOWN IN THE DETAIL SHALL BE PERFORMED IN ACCORDANCE WITH APPLICABLE PORTIONS OF SECTION 207 AND SECTION 540 OF THE STANDARD SPECIFICATIONS.

BILL OF MATERIAL

Item	Unit	Total
Porous Granular Embankment	Cu.Yd.	32.1
Stone Riprap, Class A1	Sq.Yd.	129.1

DRAWING NOT TO SCALE.

FILE NAME: c:\pwworkspace\cearlock\job2013\070663-shr-struct.dgn	USER NAME: cearlock_jd	DESIGNED: JMS	REVISED: -	STATE OF ILLINOIS DEPARTMENT OF TRANSPORTATION	DETAIL OF POROUS GRANULAR EMBANKMENT	F.A.U. RTE.:	SECTION:	COUNTY:	TOTAL SHEETS:	SHEET NO.:
PLT SCALE: 40.0000' / 1" =	CHECKED: -	REVISED: -	• (2X,31RS-3 & 2RS-4			CHAMPAIGN	551	239		
PLT DATE: 10/10/2013	DATE: 080311	REVISED: -	• F.A.U. 7152 & F.A.S. 1512			CONTRACT NO. 70663				
						ILLINOIS FED. AID PROJECT				
					SCALE: NONE	SHEET NO. 6 OF 6 SHEETS	STA. TO STA.			