

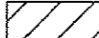
DETAIL NOTES:

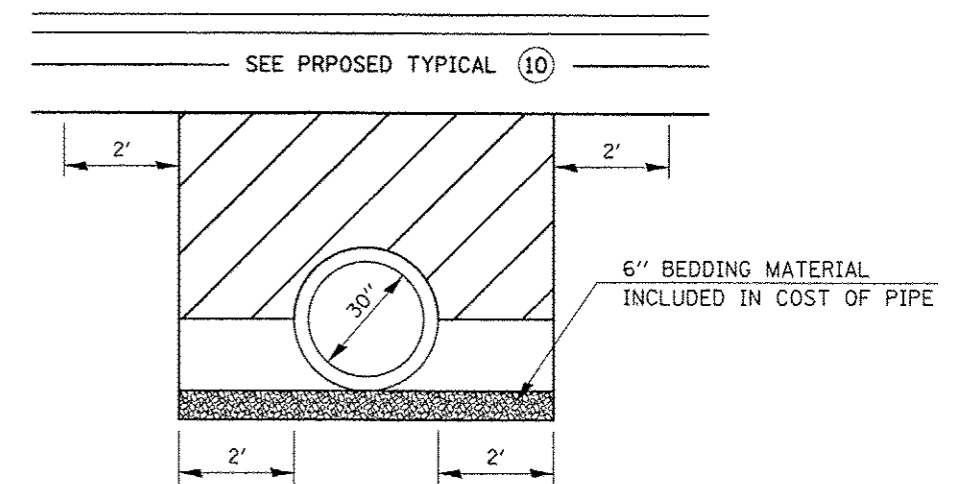
ACTUAL STATIONS, OFFSETS AND ELEVATIONS OF THE FIELD TILE RECONSTRUCTION SHALL BE VERIFIED BY THE ENGINEER PRIOR TO CONSTRUCTION OF THE NEW FIELD TILE.

TRASH RACK AND PRECAST CONCRETE FLAT SLAB WILL NOT BE MEASURED FOR PAYMENT BUT SHALL BE INCLUDED IN THE CONTRACT UNIT PRICE OF EACH FOR MANHOLE, TYPE A, 5' DIA. TYPE 1 FRAME, OPEN LID. NO ADDITIONAL COMPENSATION WILL BE ALLOWED.

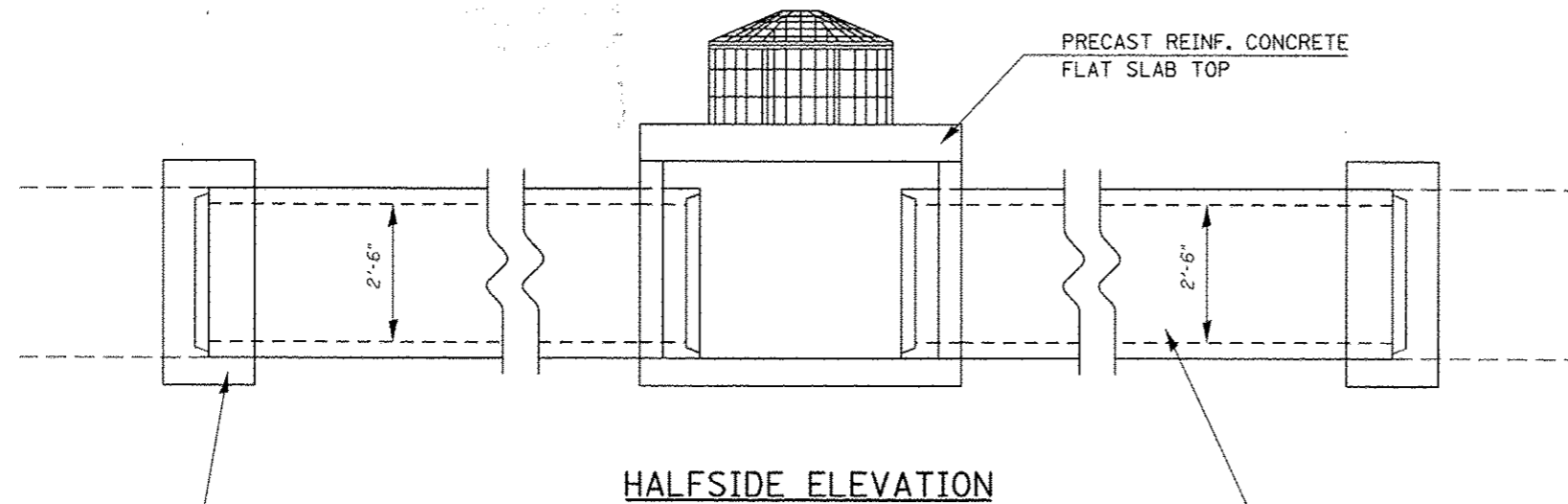
ALL WORK ASSOCIATED WITH LOCATING, VERIFYING AND EXCAVATION FOR THE WORK SHOWN HEREIN THIS DETAIL SHALL BE INCLUDED IN THE COST FOR THE VARIOUS PAYITEMS ASSOCIATED WITH THE RECONSTRUCTION OF THE THE EXISTING 30" FIELD TILE.

ALL OTHER PAYITEMS ASSOCIATED WITH THE RECONSTRUCTION OF THE EXISTING 30" FIELD TILE WILL BE MEASURED FOR PAYMENT ACCORDING TO THE BILL OF MATERIAL.

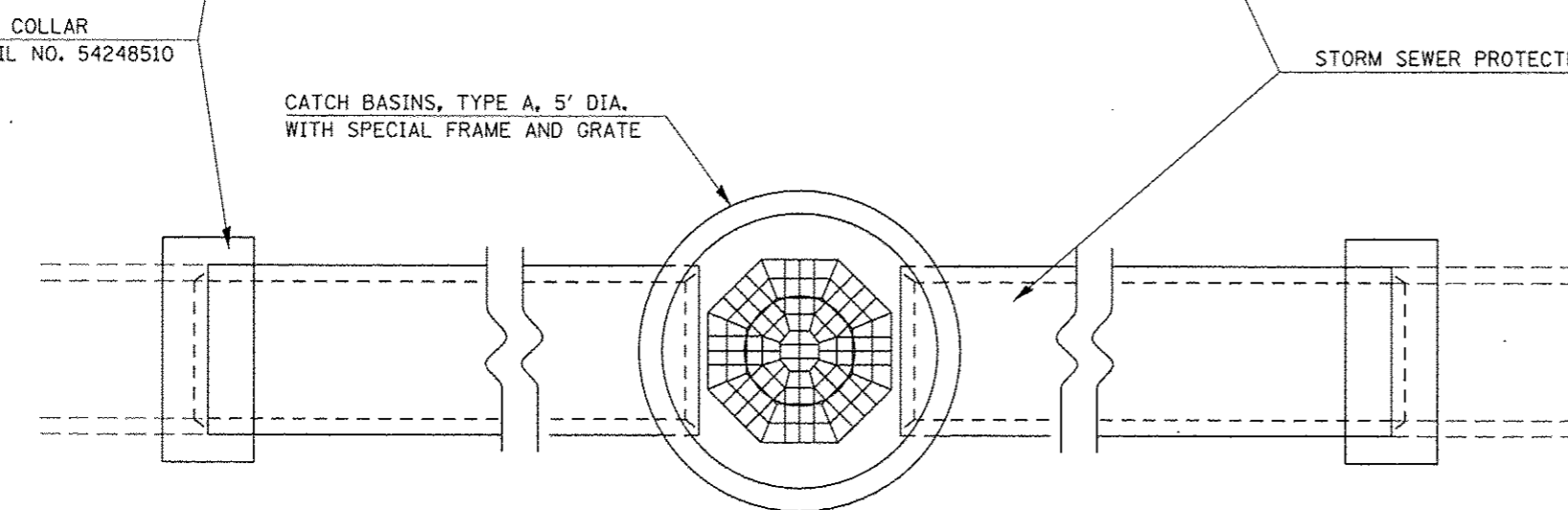
 TRENCH BACKFILL



BACKFILLING STORM SEWER (SPECIAL)



HALFSIDE ELEVATION



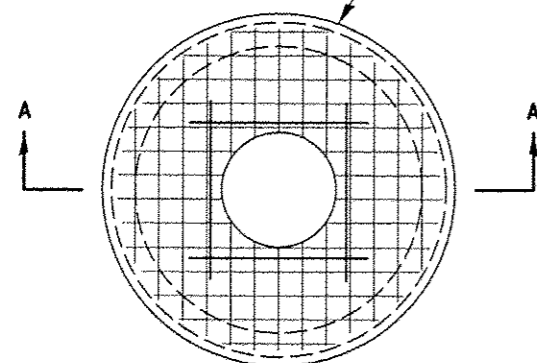
PLAN

CONCRETE COLLAR
SEE DETAIL NO. 54248510

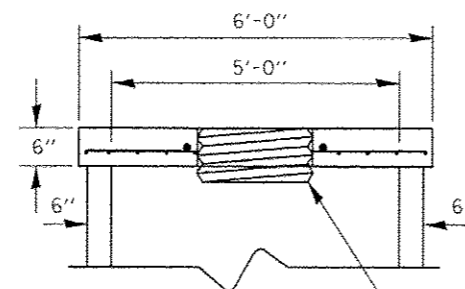
CATCH BASINS, TYPE A, 5' DIA.
WITH SPECIAL FRAME AND GRATE

STORM SEWER PROTECTED - 30" (SEE PLANS)

SEE STAND 602601-02 FOR
ADDITIONAL DETAILS NOT SHOWN
HEREIN.

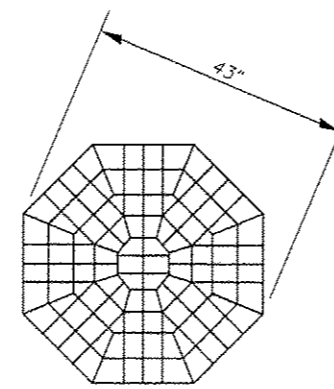


PRECAST FLAT SLAB TOP

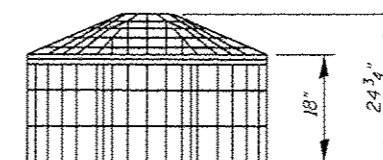


SECTION A-A

24" concrete, plastic, or
metal pipe cut to fit



PYRAMID STRUCTURE



TOTAL BILL OF MATERIAL

Item	Unit	Total
CB TA 5' DIA W/SPL F&G	Each	1.0
Storm Sewer Protected - 30"	Foot	177.0
Trench Backfill	Cu Yd	7.0
Concrete Collar	Each	1.0