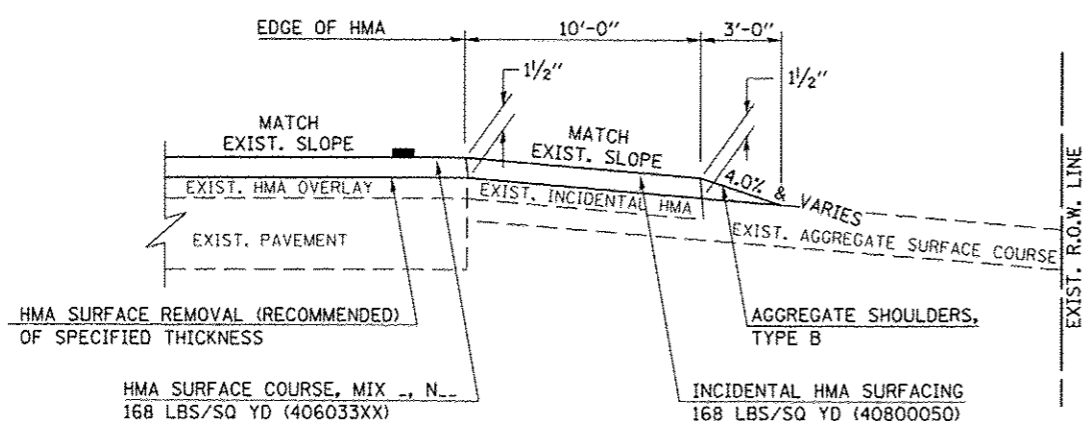


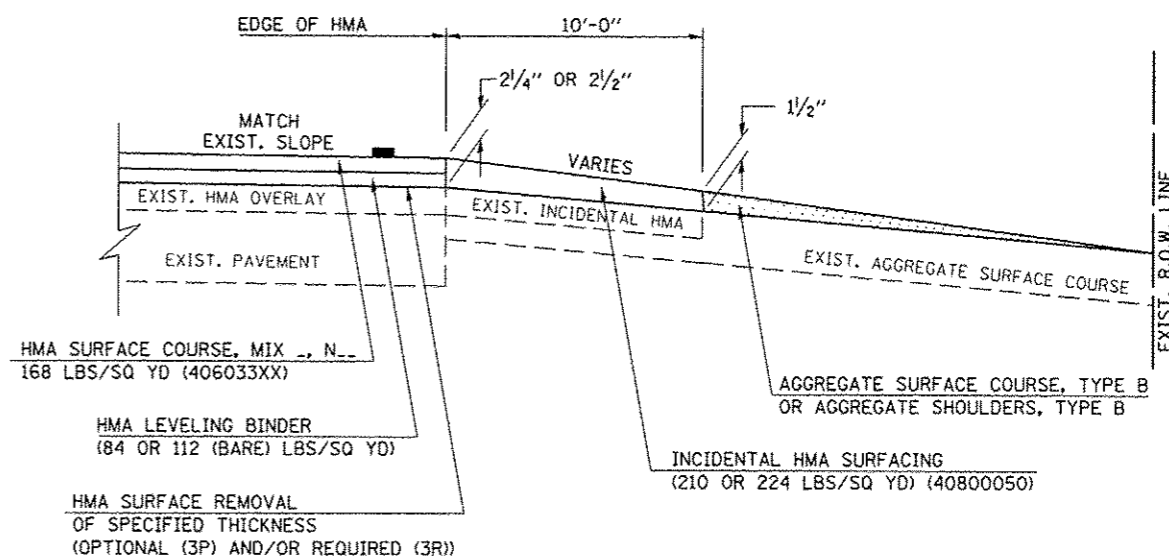
PROJECTS WITHOUT RECONSTRUCTION

S.M.A.R.T. IMPROVEMENTS
(POLICY RESURFACING; BDE 53-4.03; 1/2")

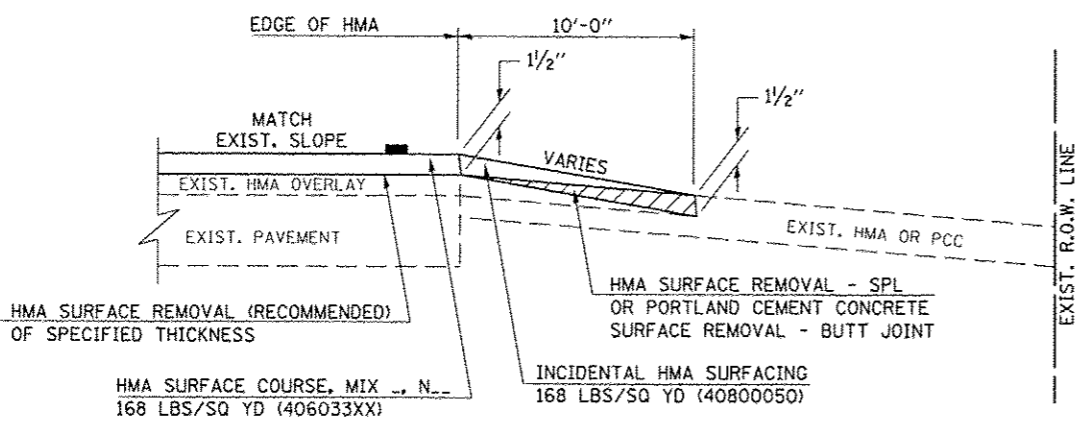


EXISTING AGGREGATE ENTRANCE

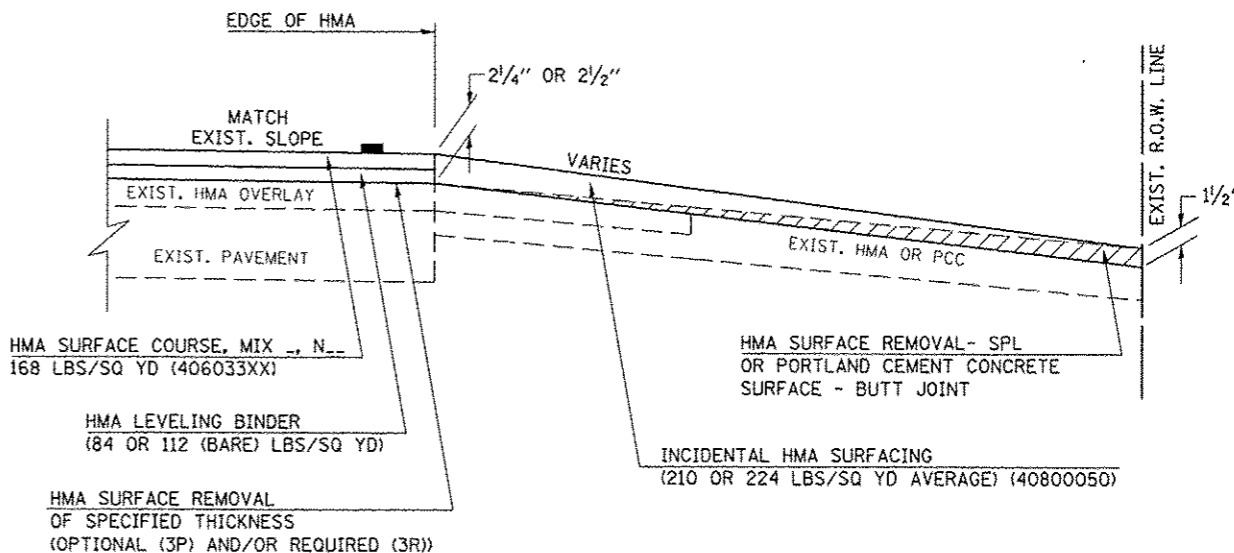
"3P" OR "3R" IMPROVEMENTS
(POLICY RESURFACING; BDE 53-4.02; 2 1/4" OR 2 1/2" ON BARE CONCRETE)



EXISTING AGGREGATE ENTRANCE



EXISTING HMA OR PCC ENTRANCE



EXISTING HMA OR PCC ENTRANCE

Note: All dimensions are in INCHES (millimeters) unless otherwise shown.

DISTRICT 5 DETAIL NO. 40800050C

FILE NAME	USER NAME = ceerlock.jfd	DESIGNED -	REVISED - 12/08/06 TJB
0663-shr-detailed.dgn		DRAWN -	REVISED - 09/21/07 KAG
PL01 SCALE = 48,000/1" = 1/4"		CHECKED -	REVISED - 05/02/08 KJT
PL01 DATE = 10/10/2013		DATE -	REVISED - 04/23/10 KJT

STATE OF ILLINOIS
DEPARTMENT OF TRANSPORTATION

PRIVATE AND COMMERCIAL ENTRANCES
(NONCOMMERCIAL AND COMMERCIAL RURAL)

SCALE: NA SHEET NO. 1 OF 2 SHEETS STA. TO STA.

F.A.U. RTE.	SECTION	COUNTY	TOTAL SHEETS	SHEET NO.
•	(2X,3RS-3 & 2RS-4	CHAMPAIGN	551	256
• F.A.U. 7152 & F.A.S. 1512 CONTRACT NO. 70663				
FED. ROAD DIST. NO. ILLINOIS FED. AID PROJECT				