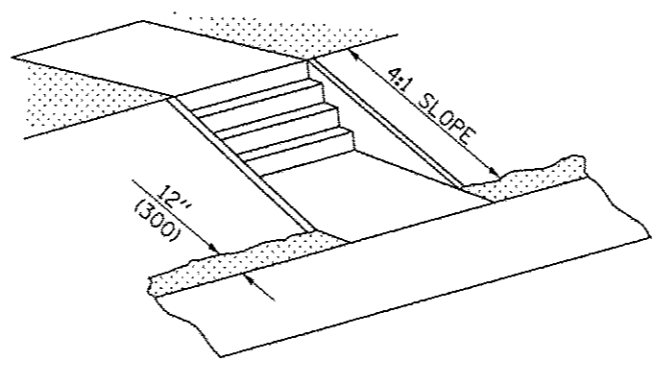
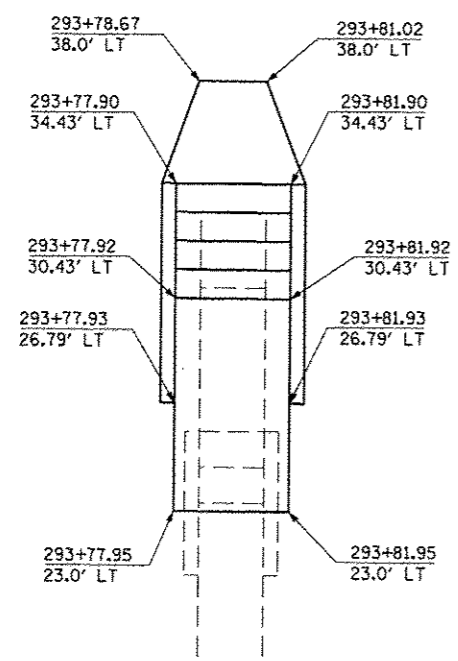
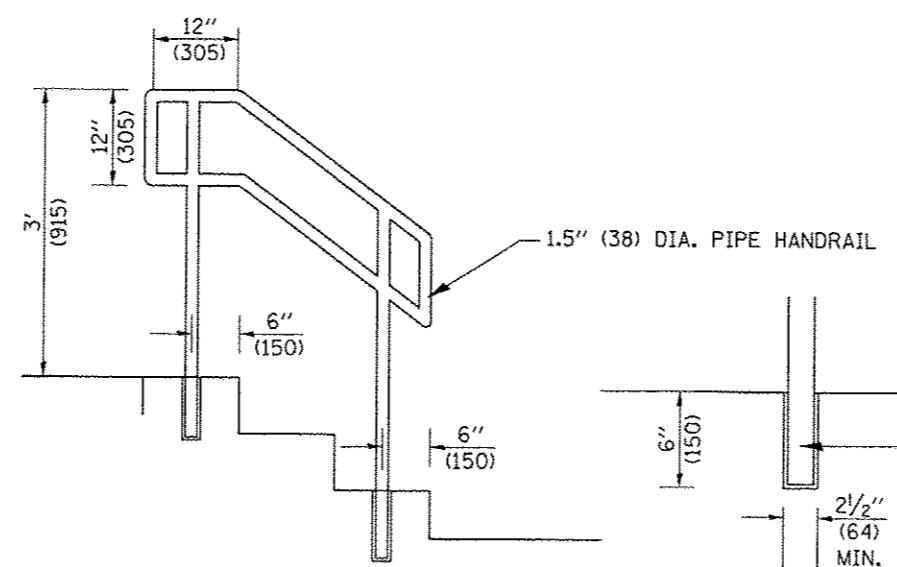


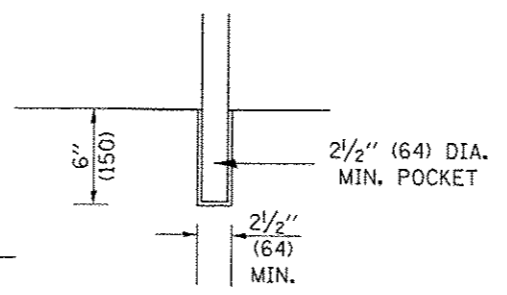
PLAN



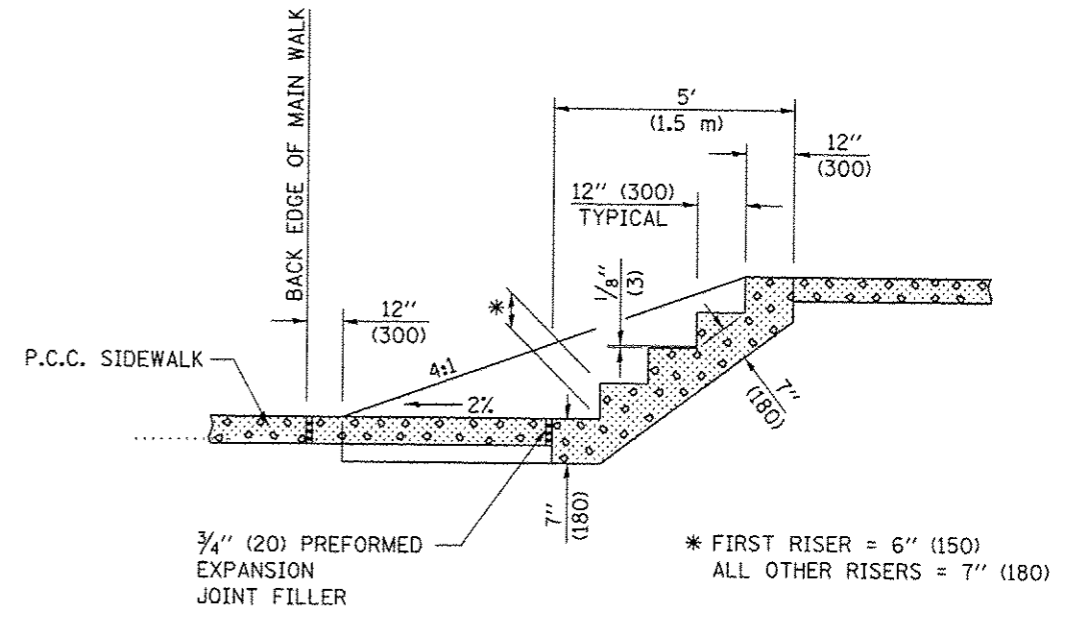
ISOMETRIC



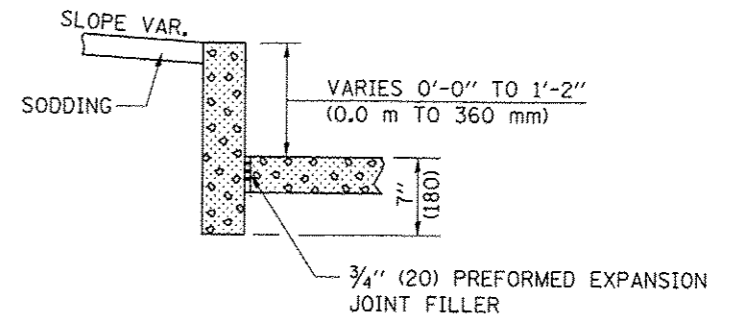
PIPE HANDRAIL - 3 STEP



ANCHOR DETAIL



SECTION A-A



SECTION THROUGH WALL

GENERAL NOTES

1. CLASS SI CONCRETE SHALL BE USED THROUGHOUT.
2. THIS WORK WILL BE PAID FOR AT THE CONTRACT UNIT PRICE PER CUBIC YARD (CUBIC METER) FOR CLASS SI CONCRETE (MISCELLANEOUS) WHICH PRICE SHALL BE PAYMENT IN FULL FOR ALL MATERIAL AND LABOR, INCLUDING EXCAVATION AND PREFORMED EXPANSION JOINT FILLER TO COMPLETE THE WORK. NO WELDED WIRE FABRIC IS REQUIRED.

Note: All dimensions are in INCHES (millimeters) unless otherwise shown.

ESTIMATED QUANTITY

2.1 CU. YD. (1.6 m³) CLASS SI CONCRETE (MISCELLANEOUS)
 12.0 FT. (4.0 m) PIPE HANDRAIL (QTY FOR 2 HANDRAILS)

FILE NAME	USER NAME	DESIGNED	REVISED
cs:\pwork\pwork\pwork\cearlock\j\08120316\0278663-sht-detail.dgn	cearlock_jd	-	11/06
PLOT SCALE	CHECKED	DATE	REVISED
1/8" = 1'-0"	-	10/16/2013	-

STATE OF ILLINOIS
 DEPARTMENT OF TRANSPORTATION

PORTLAND CEMENT CONCRETE SIDEWALK, STEPS

DISTRICT 5 DETAIL NO. X0325279				
F.A.P. RTE.	SECTION	COUNTY	TOTAL SHEETS	SHEET NO.
	(2X)JRS-3 & 2RS-4	CHAMPAIGN	951	267
F.A.U. 7152 & F.A.S. 1512		CONTRACT NO. 70663		
FED. ROAD DIST. NO.		ILLINOIS FED. AID PROJECT		