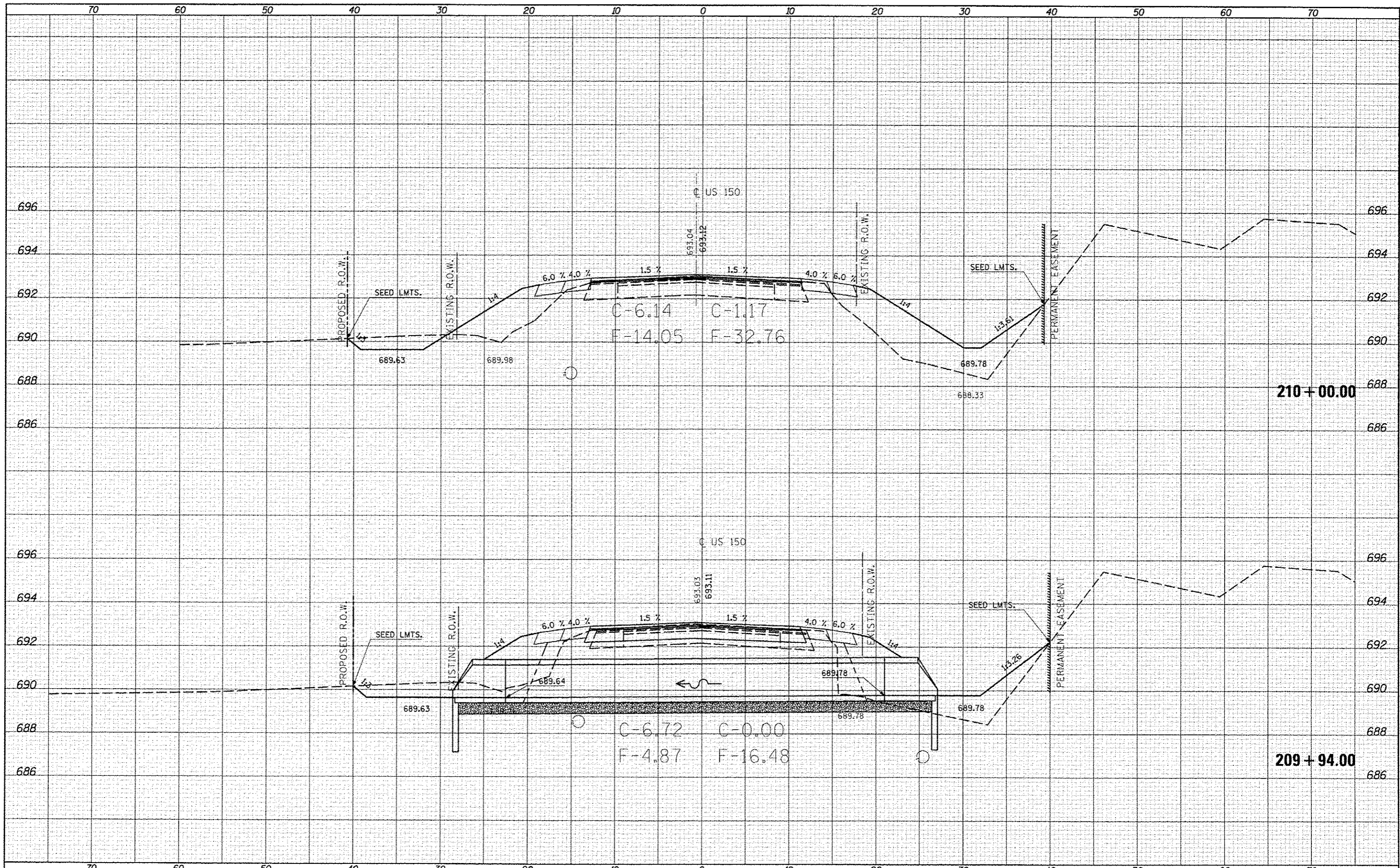


BY	DATE

BY	DATE



FILE NAME: c:\pwork\p102\cearlock\gd0253076\0570663
 USER NAME: cearlockjd
 USER: ht-us-150_x.dgn
 PLOT SCALE: 1/8" = 1'-0"
 PLOT DATE: 10/18/2013

DESIGNED	-	REVISED	-
DRAWN	-	REVISED	-
CHECKED	-	REVISED	-
DATE	-	REVISED	-

STATE OF ILLINOIS
DEPARTMENT OF TRANSPORTATION

US-150 CROSS SECTIONS
 SCALE: SHEET 64 OF 207 SHEETS STA. 209+94.00 TO STA. 210+00.00

F.A.S. RTE.	SECTION	COUNTY	TOTAL SHEETS	SHEET NO.
•	12X,31RS-3 & 2RS-4	Champaign	551	376
•	F.A.U. 7152 & F.A.S. 1512			
				CONTRACT NO. 70663
ILLINOIS FED. AID PROJECT				