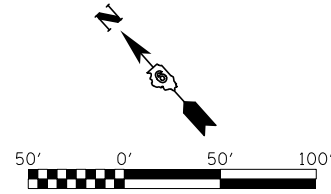
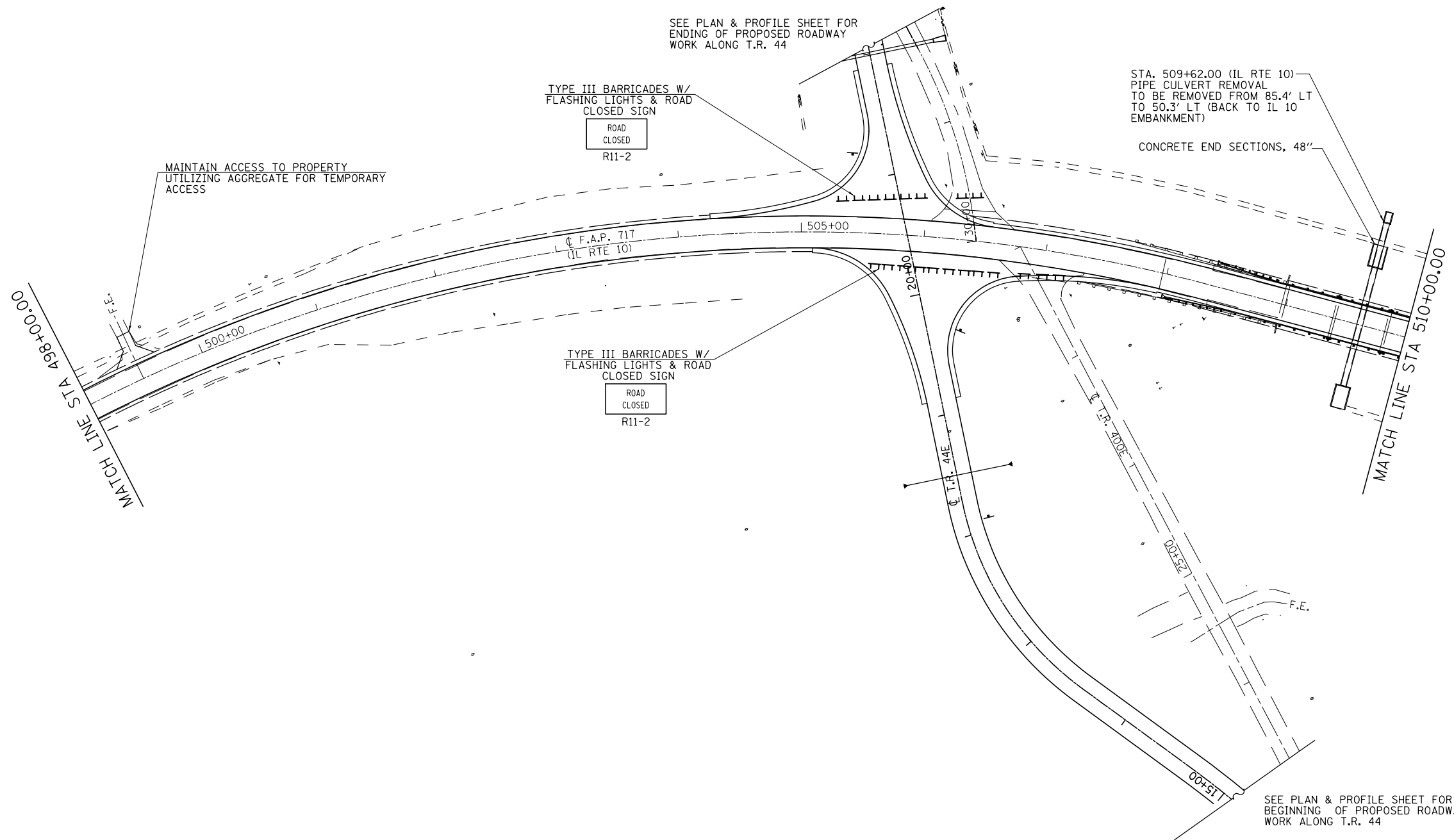


STAGE II TRAFFIC CONTROL BRIDGE REPLACEMENT



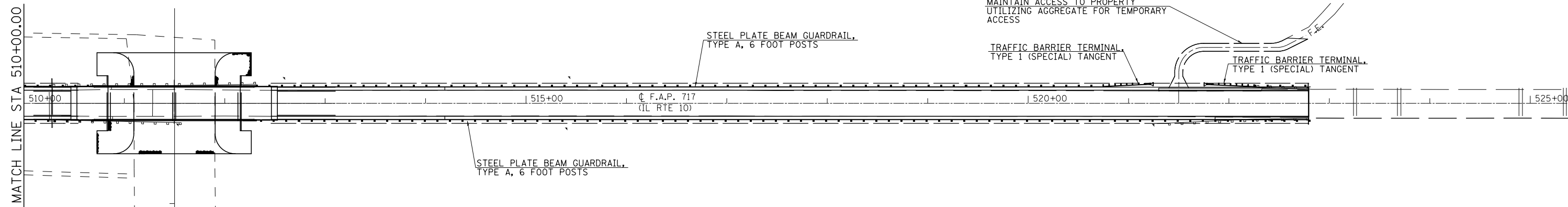
STAGE II NOTES

1. REMOVE RUNAROUND UTILIZING TRAFFIC CONTROL STDS. 701001 AND 701006.
2. CLOSE T.R. 400 IN ORDER TO CONSTRUCT THE REALIGNMENT OF THE INTERSECTION AND ROADWAY.
3. CONSTRUCT CROSSROAD CULVERTS UNDER T.R. 44 AS SHOWN ON THE PLANS.
4. CONSTRUCT T.R. 44 TO THE PROPOSED GRADELINE AS SHOWN ON THE PLANS.
5. COMPLETE HOT-MIX ASPHALT PAVING ON IL RTE 10 UTILIZING TRAFFIC CONTROL STD. 701306.
6. COMPLETE GUARDRAIL, DITCHES ON IL RTE 10, AND SEEDING UTILIZING TRAFFIC CONTROL STDS. 701006 AND 701011.
7. OPEN T.R. 44 TO TRAFFIC.
8. COMPLETE PAVEMENT MARKING UTILIZING TRAFFIC CONTROL STANDARD 701311.



LEGEND

	WORK AREA
	SIGN ON PORTABLE OR PERMANENT SUPPORT
	DRUM WITH BI-DIRECTIONAL STEADY BURNING LIGHT
	TYPE III BARRICADE W/ FLASHING LIGHT
	TEMPORARY SIGNAL LIGHT
	IMPACT ATTENUATOR



FILE NAME = *FILEL*	USER NAME = *USER*	DESIGNED -	REVISED -	STATE OF ILLINOIS DEPARTMENT OF TRANSPORTATION	STAGE II CONSTRUCTION - FAP 717 (IL RTE 10) - BRIDGE			F.A.P. RTE.	SECTION	COUNTY	TOTAL SHEETS	SHEET NO.
	PLOT SCALE = *SCALE*	DRAWN -	REVISED -		717	(102B-1,102CR,102BR-2)RS-5	LOGAN	218	36			
	PLOT DATE = *DATE*	CHECKED -	REVISED -		CONTRACT NO. 72B82							
		DATE -	REVISED -		ILLINOIS FED. AID PROJECT							
				SCALE:	SHEET NO. 4 OF 5 SHEETS	STA.	TO STA.					