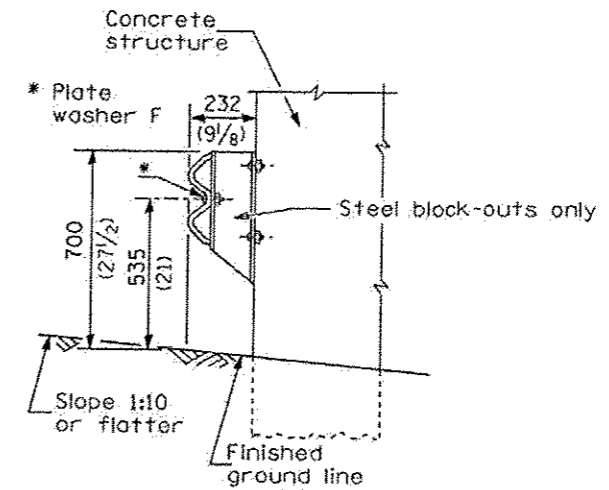
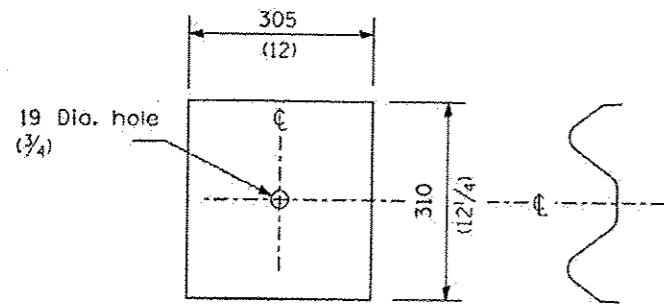


**SPBGR ATTACHED TO STRUCTURES**

953 (37 1/2) Block-out spacing



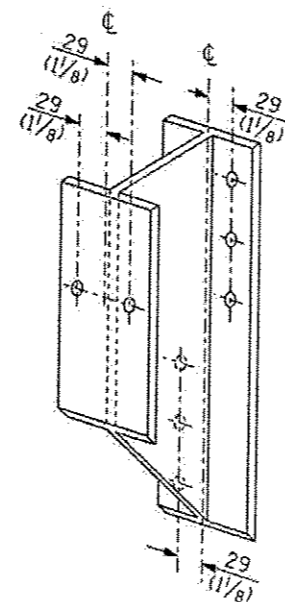
SECTION A-A



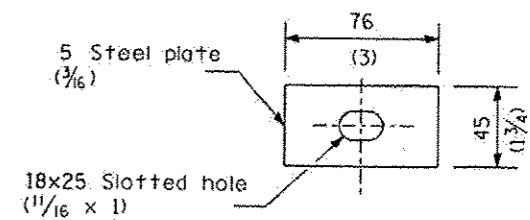
NOTE

Plate A shall be placed between rail element and block-out at non-splice mounting points only when steel block-outs are used.

**PLATE A**



STEEL BLOCK-OUT DETAIL



NOTE

Plate washer F shall be used on type A guardrail only where specified. Plate washer F shall be used at all other locations where rail element is bolted to a block-out unless otherwise noted.

**PLATE WASHER F**

△ SHEET ADDED 2-14-14

FILE NAME *	USER NAME * karnes	DESIGNED -	REVISED -	<b>STATE OF ILLINOIS DEPARTMENT OF TRANSPORTATION</b>	<b>DETAIL SHEET FOR GUARDRAIL ATTACHED TO STRUCTURES</b>			F.A.P. RTE.	SECTION	COUNTY	TOTAL SHEETS	SHEET NO.			
c:\pwork\pwork\karnes\0366010\0672F	DB-alt-Guardrail Detail	DRAWN -	REVISED -					666	(26)RS.1	SANGAMON	110	63A			
PLOT SCALE * 1/8" = 1'-0"		CHECKED -	REVISED -					SCALE: NTS	SHEET 1	OF 1 SHEETS	STA.	TO STA.	CONTRACT NO. 72F50		
PLOT DATE * Feb-07-2014 10:35:00AM		DATE -	REVISED -					ILLINOIS FED. AID PROJECT							