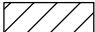
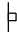


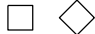








SYMBOLS

-  Work area
-  Sign
-  Type III barricade
-  Traffic signal
-  Detector loops
-  Impact attenuator
-  Drum with steady burning bi-directional light
-  Temporary concrete barrier
-  Temporary rumble strip (when specified)
-  Double vertical panel (see detail)
-  Crystal, bidirectional barrier wall/guardrail marker

S.N. 096-0010

FILE NAME =	USER NAME = steffenmk	DESIGNED -	REVISED -	STATE OF ILLINOIS DEPARTMENT OF TRANSPORTATION	STAGE 1 TRAFFIC CONTROL PLAN			F.A.P. RTE.	SECTION	COUNTY	TOTAL SHEETS	SHEET NO.
ci:\pw\work\p\idot\steffenmk\d0340638\074618-sh-t-plan-0960010.dgn		DRAWN -	REVISED -		823	07 BRIDGE REPAIRS 2014-3	WAYNE	60	8			
Default	PLOT SCALE = 40.0000' / in.	CHECKED -	REVISED -		SCALE: 20 SHEET 3 OF 5 SHEETS STA. 488+00 TO STA. 494+00			CONTRACT NO. 74618				
	PLOT DATE = 12/6/2013	DATE -	REVISED -		ILLINOIS FED. AID PROJECT							