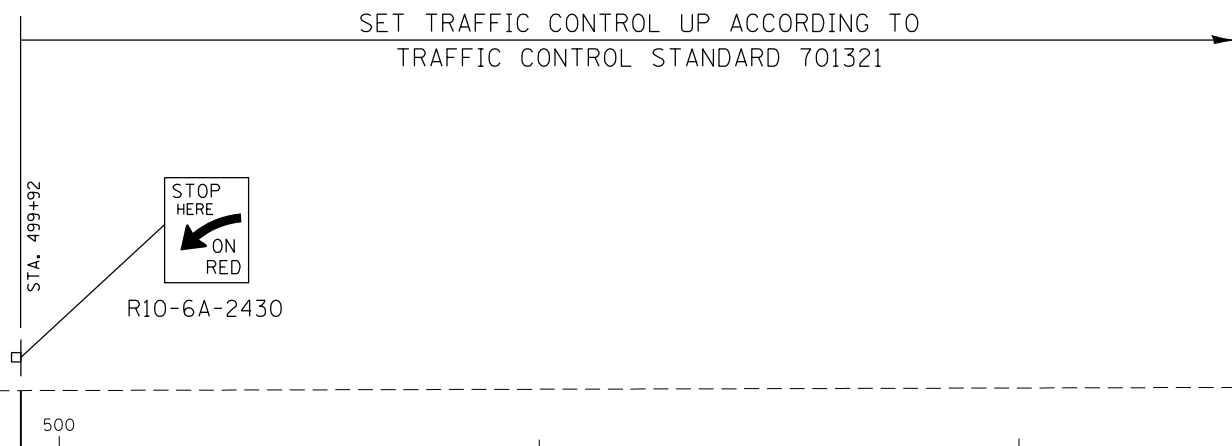
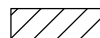






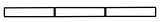





SET TRAFFIC CONTROL UP ACCORDING TO  
TRAFFIC CONTROL STANDARD 701321



**SYMBOLS**

-  Work area
-  Sign
-  Type III barricade
-  Traffic signal
-  Detector loops
-  Impact attenuator
-  Drum with steady burning bi-directional light
-  Temporary concrete barrier
-  Temporary rumble strip (when specified)
-  Double vertical panel (see detail)
-  Crystal, bidirectional barrier wall/guardrail marker

S.N. 096-0010

|  |                             |            |           |   |  |                          |       |                    |         |        |                 |              |
|--|-----------------------------|------------|-----------|---|--|--------------------------|-------|--------------------|---------|--------|-----------------|--------------|
| FILE NAME =  | USER NAME = steffenmk       | DESIGNED - | REVISED - | <b>STATE OF ILLINOIS<br/>DEPARTMENT OF TRANSPORTATION</b> | <b>STAGE 2<br/>TRAFFIC CONTROL PLAN</b>                        |                          |       | F.A.P.<br>RTE.     | SECTION | COUNTY | TOTAL<br>SHEETS | SHEET<br>NO. |
| ci:\pw\work\p\idot\steffenmk\d0340638\074618-sh-t-plan-0960010.dgn |                             | DRAWN -    | REVISED - |   | 823  | 07 BRIDGE REPAIRS 2014-3 | WAYNE | 60                 | 15      |        |                 |              |
| Default  | PLOT SCALE = 40.0000' / in. | CHECKED -  | REVISED - |   | SCALE: 20    SHEET 5 OF 5 SHEETS    STA. 500+00 TO STA. 506+00 |                          |       | CONTRACT NO. 74618 |         |        |                 |              |
|  | PLOT DATE = 12/6/2013       | DATE -     | REVISED - |   | ILLINOIS FED. AID PROJECT                                      |                          |       |                    |         |        |                 |              |