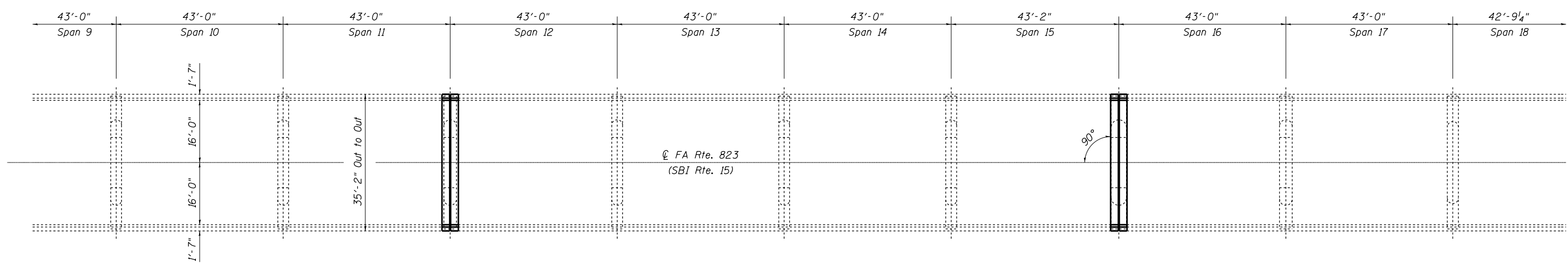


**ELEVATION**



**PLAN**

FILE NAME =	USER NAME = steffenmk	DESIGNED - MJM	REVISED -	<b>STATE OF ILLINOIS DEPARTMENT OF TRANSPORTATION</b>	<b>GENERAL PLAN AND ELEVATION SN. 096-0010 (SPANS 10 THRU 18)</b>		F.A.P. RTE.	SECTION	COUNTY	TOTAL SHEETS	SHEET NO.	
Default	Plot Scale = 40.0000' / in.	CHECKED - MEA	REVISED -				823	07 BRIDGE REPAIRS 2014-3	WAYNE	60	23	
	PLOT DATE = 12/6/2013	DATE - 08/13/2013	REVISED -		SCALE: N/A	SHEET 2 OF 35 SHEETS	STA. TO STA.	ILLINOIS FED. AID PROJECT				
							CONTRACT NO. 74618					