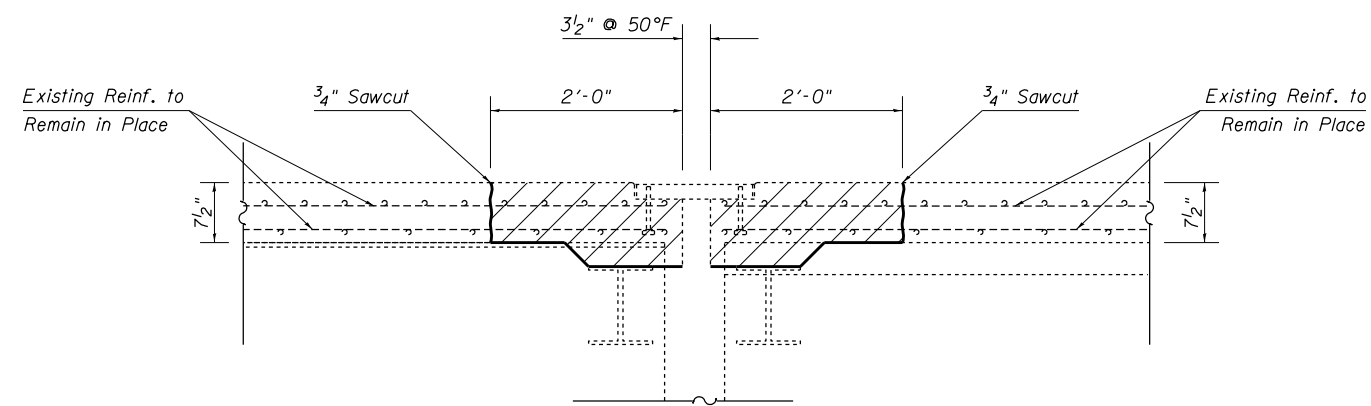
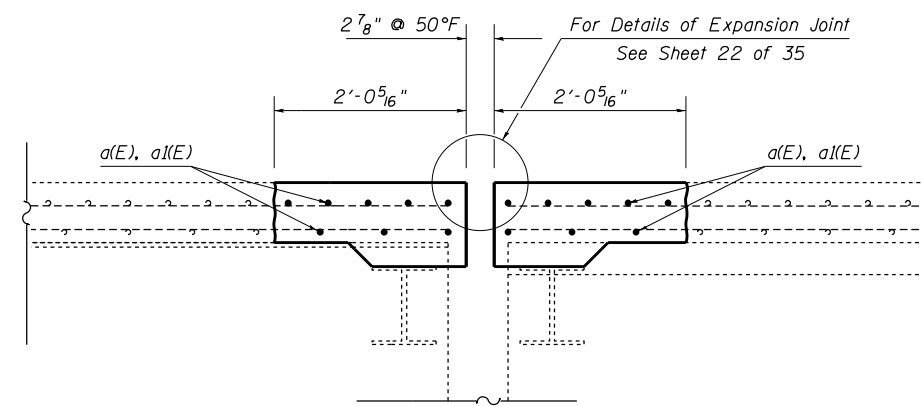


Hatching Indicates Concrete Removal.

- Existing Reinforcement
- Proposed Reinforcement



SECTION E-E
(Dimensions at Rt. L's to end of deck)
(PIER 18)



SECTION F-F
(Dimensions at Rt. L's to end of deck)
(PIER 18)

FILE NAME =	USER NAME = steffenmk	DESIGNED - MJM	REVISED -
c:\pwork\pwork\stefjenmk\d0340638\074618-shr-brdetais-0960010.dgn		DRAWN - MJM	REVISED -
Default	PLOT SCALE = 40.0000' / in.	CHECKED - MEA	REVISED -
	PLOT DATE = 12/6/2013	DATE - 08/13/2013	REVISED -

**STATE OF ILLINOIS
DEPARTMENT OF TRANSPORTATION**

**EXPANSION JOINT REPLACEMENT DETAILS
SN. 096-0010 - PIER 18**

SCALE: N/A SHEET 11 OF 35 SHEETS STA. TO STA.

F.A.P. RTE.	SECTION	COUNTY	TOTAL SHEETS	SHEET NO.
823	07 BRIDGE REPAIRS 2014-3	WAYNE	60	32
ILLINOIS FED. AID PROJECT			CONTRACT NO. 74618	