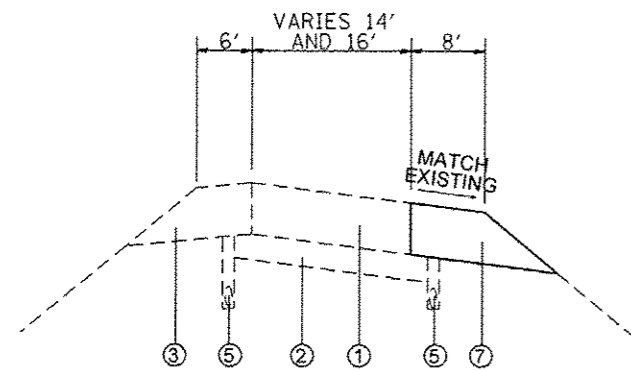
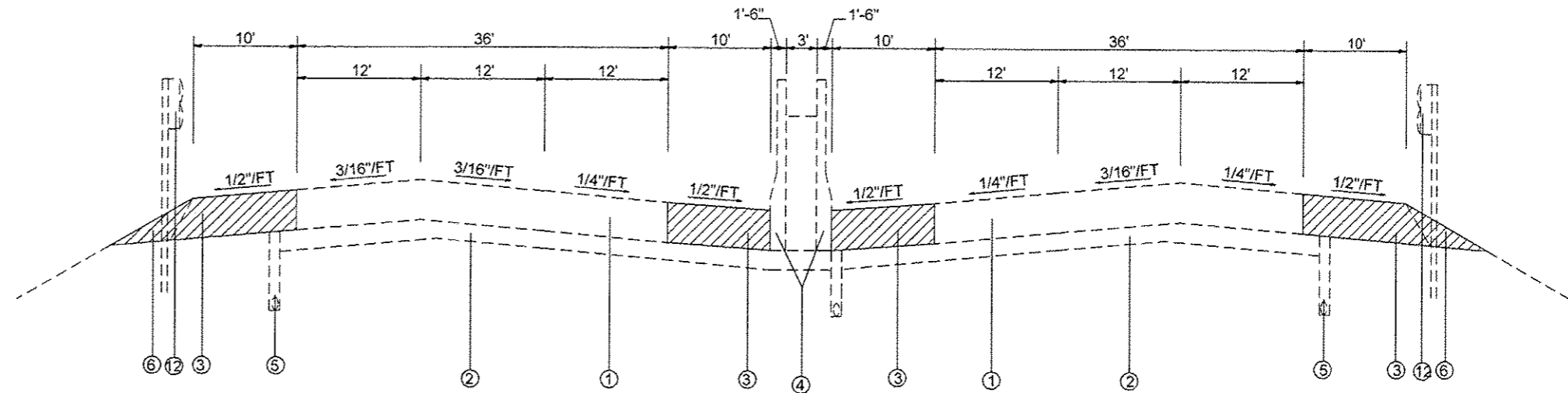


EXISTING RAMP SECTION

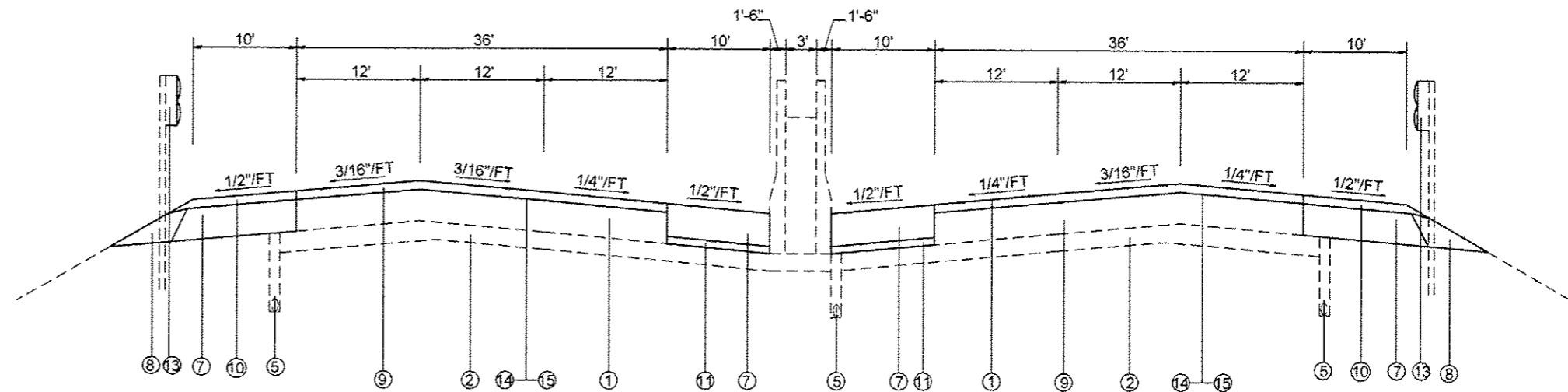


PROPOSED RAMP SECTION



EXISTING TYPICAL

STA. 690+54.00 TO STA. 700+11.95
 STA. 748+00.08 TO STA. 748+66.00
 STA. 761+43.44 TO STA. 767+27.00



STATIONING

STA. 690+54.00 TO STA. 700+11.95
 STA. 748+00.08 TO STA. 748+66.00
 STA. 761+43.44 TO STA. 767+27.00
 SEE PLAN VIEW FOR DETAILED LOCATIONS OF WIDENING

LEGEND

- ① EXISTING CRPCC PAVEMENT - 10"
- ② EXISTING STABILIZED SUBBASE - 4"
- ③ EXISTING HMA SHOULDERS - 10"
- ④ EXISTING CONCRETE MEDIAN BARRIER
- ⑤ EXISTING UNDERDRAINS - 4"
- ⑥ EXISTING AGGREGATE SHOULDER
- ⑦ PROPOSED HMA BASE COURSE - 10"
- ⑧ PROPOSED AGGREGATE WEDGE SHOULDER, TYPE B
- ⑨ PROPOSED POLYMERIZED HMA SURFACE COURSE MIX "E", N90 - 2"
- ⑩ PROPOSED HOT MIX ASPHALT SHOULDERS
- ⑪ PROPOSED AGGREGATE TYPE C
- ⑫ EXISTING SPBGR
- ⑬ PROPOSED REMOVE AND REERECT RAIL ELEMENT OF EXISTING GUARDRAIL
- ⑭ PROPOSED BITUMINOUS MATERIALS (PRIME COAT)
- ⑮ PROPOSED AGGREGATE PRIME COAT

△ 2-14-14

FILE NAME =	USER NAME = #USER#	DESIGNED -	REVISED -	STATE OF ILLINOIS DEPARTMENT OF TRANSPORTATION	TYPICAL SECTIONS		F.A.I. R.T.E.	SECTION	COUNTY	TOTAL SHEETS	SHEET NO.	
#TITLE#		DRAWN -	REVISED -		SCALE: NONE	SHEET NO. 1 OF 1 SHEETS	STA.	TO STA.	255	82-4HYB-1	ST. CLAIR	46 6
		CHECKED -	REVISED -						CONTRACT NO. 76D51			
		DATE -	REVISED -						FED. ROAD DIST. NO. ILLINOIS FED. AID PROJECT			

SUGGESTED SEQUENCE OF CONSTRUCTION

PRESTAGE CONSTRUCTION

- PRESTAGE CONSTRUCTION SHALL CONSIST OF: CONSTRUCTING THE 10" WIDENING OF THE OUTSIDE SHOULDERS (NORTHBOUND AND SOUTHBOUND) OF I-255 TO THE LIMITS SHOWN IN THE PLANS; PLACING THE PROTECTIVE SHIELD ON THE STRUCTURE; AND ANY MISCELLANEOUS WORK NECESSARY TO FACILITATE THE CONSTRUCTION OF THE PAVEMENT WIDENING FOR STAGE CONSTRUCTION.
- THE WIDENING SHALL CONSIST OF HOT-MIX ASPHALT BASE COURSE -10".
- TRAFFIC CONTROL FOR THIS WORK WILL BE DONE IN ACCORDANCE WITH THE APPLICABLE PORTIONS OF TRAFFIC CONTROL AND PROTECTION, STANDARDS 701400, 701401, 701411, 701456, AND 701501 AND AS SHOWN IN THE PLANS. A MINIMUM OF TWO LANES OF TRAFFIC WILL BE MAINTAINED AT ALL TIMES REGARDLESS OF THE CONTRACTOR'S CONSTRUCTION ACTIVITIES.

STAGE 1 CONSTRUCTION

- STAGE 1 CONSTRUCTION SHALL CONSIST OF: WIDENING OF THE INSIDE SHOULDERS (NORTHBOUND AND SOUTHBOUND) TO THE LIMITS SHOWN IN THE PLANS; CLASS A PAVEMENT PATCHING; ANY MISCELLANEOUS WORK NECESSARY TO FACILITATE THE CONSTRUCTION OF THE PAVEMENT WIDENING FOR STAGE 2 CONSTRUCTION; STAGE 1 BRIDGE CONSTRUCTION AS DETAILED IN THE PLANS, AND HMA RESURFACING TRANSITIONING ON THE APPROACH PAVEMENT.
- THE WIDENING SHALL CONSIST OF HOT-MIX ASPHALT BASE COURSE -10".
- TRAFFIC CONTROL FOR THIS WORK WILL BE DONE IN ACCORDANCE WITH THE APPLICABLE PORTIONS OF TRAFFIC CONTROL AND PROTECTION, STANDARDS 701400, 701402 AND, 701411, AND AS SHOWN IN THE PLANS. A MINIMUM OF TWO LANES OF TRAFFIC WILL BE MAINTAINED AT ALL TIMES REGARDLESS OF THE CONTRACTOR'S CONSTRUCTION ACTIVITIES.

STAGE 2 CONSTRUCTION

- STAGE 2 CONSTRUCTION SHALL CONSIST OF: CLASS A PAVEMENT PATCHING; STAGE 2 BRIDGE CONSTRUCTION AS DETAILED IN THE PLANS, HMA RESURFACING TRANSITIONS ON APPROACH PAVEMENT, AND GUARDRAIL IMPROVEMENTS.
- TRAFFIC CONTROL FOR THIS WORK WILL BE DONE IN ACCORDANCE WITH THE APPLICABLE PORTIONS OF TRAFFIC CONTROL AND PROTECTION, STANDARDS 701400, 701411, AND 701402. A MINIMUM OF TWO LANES OF TRAFFIC WILL BE MAINTAINED AT ALL TIMES REGARDLESS OF THE CONTRACTOR'S CONSTRUCTION ACTIVITIES.

NOTES

- CHANGEABLE MESSAGE BOARDS SHALL BE PLACED 2 WEEKS PRIOR TO CONSTRUCTION AND AT THE DIRECTION OF THE ENGINEER.
- THE CONTRACTOR WILL BE ALLOWED THE OPTION OF USING SAND MODULE IMPACT ATTENUATORS FOR THIS PROJECT.

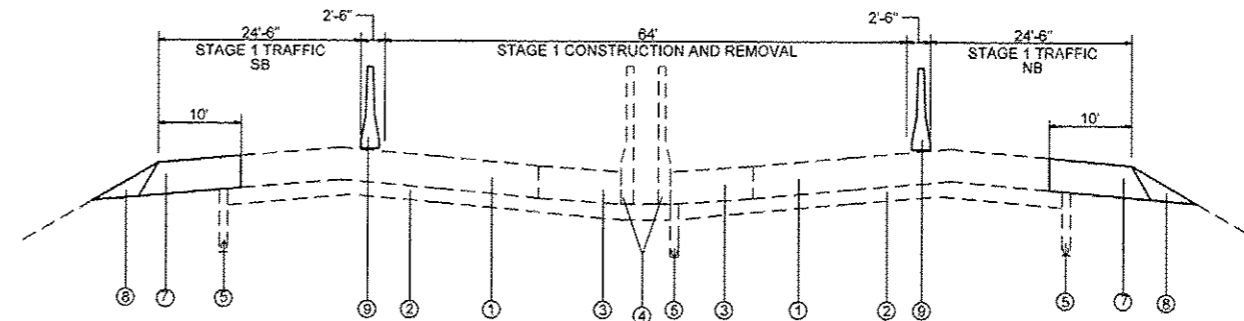
STAGING SCHEDULE

LOCATION	HOT-MIX ASPHALT BASE COURSE-10" SQ YD	PAVED SHOULDER REMOVAL SQ YD	TEMPORARY CONCRETE BARRIER FOOT	RELOCATE TEMPORARY CONCRETE BARRIER FOOT	IMPACT ATTENUATOR, TEMPORARY (NON-REDIRECTIVE) EACH	IMPACT ATTENUATOR, RELOCATE (NON-REDIRECTIVE) EACH
STAGE I	3236.5	3236.5	1837.5		2	
STAGE II	2490.5	2490.5		2025		2
TOTAL	5727	5727	1837.5	2025	2	2

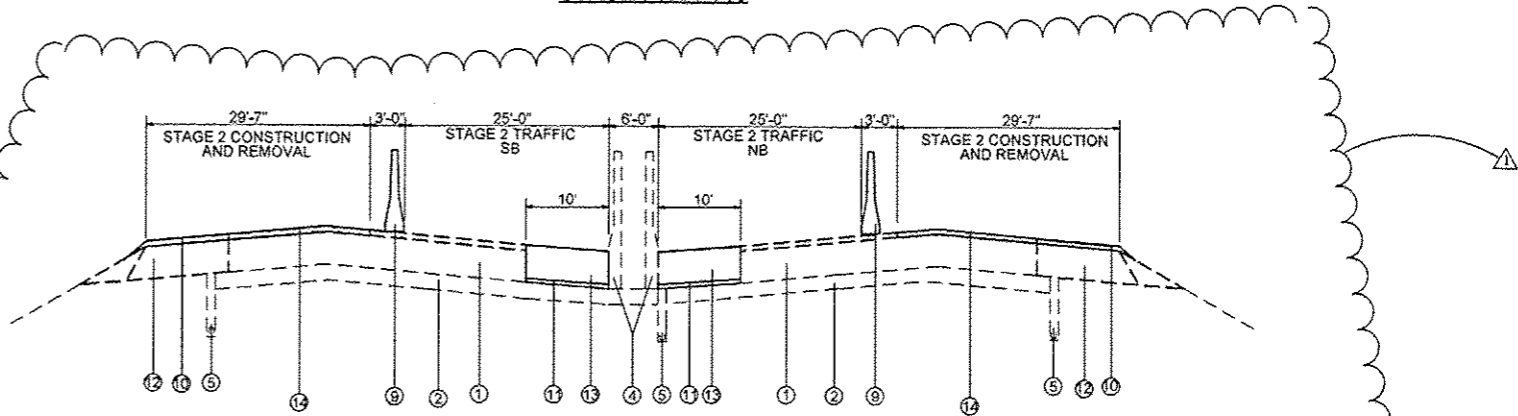
PEAK HOUR LANE CLOSURE SCHEDULE

SOUTHBOUND	SOUTHBOUND												DAYS
	12:00AM	1:00AM	2:00AM	3:00AM	4:00AM	5:00AM	6:00AM	7:00AM	8:00AM	9:00AM	10:00AM	11:00AM	
	1 LANE OPEN												SUNDAY
	1 LANE OPEN			2 LANES OPEN			1 LANE OPEN			1 LANE OPEN			MONDAY
	1 LANE OPEN			2 LANES OPEN			1 LANE OPEN			1 LANE OPEN			TUESDAY
	1 LANE OPEN			2 LANES OPEN			1 LANE OPEN			1 LANE OPEN			WEDNESDAY
	1 LANE OPEN			2 LANES OPEN			1 LANE OPEN			1 LANE OPEN			THURSDAY
	1 LANE OPEN						ALL LANES OPEN						FRIDAY
	1 LANE OPEN						1 LANE OPEN						SATURDAY
NORTHBOUND	NORTHBOUND												DAYS
	12:00AM	1:00AM	2:00AM	3:00AM	4:00AM	5:00AM	6:00AM	7:00AM	8:00AM	9:00AM	10:00AM	11:00AM	
	1 LANE OPEN												SUNDAY
	1 LANE OPEN			2 LANES OPEN			1 LANE OPEN			1 LANE OPEN			MONDAY
	1 LANE OPEN			2 LANES OPEN			1 LANE OPEN			1 LANE OPEN			TUESDAY
	1 LANE OPEN			2 LANES OPEN			1 LANE OPEN			1 LANE OPEN			WEDNESDAY
	1 LANE OPEN			2 LANES OPEN			1 LANE OPEN			1 LANE OPEN			THURSDAY
	1 LANE OPEN						ALL LANES OPEN						FRIDAY
	1 LANE OPEN						1 LANE OPEN						SATURDAY

FOR CLARIFICATION PURPOSES: EXCEPT FOR THE BRIDGE REPAIR WORK WHICH NECESSITATES THE STAGING SHOWN IN THE PLANS, ALL LANES MUST BE OPEN FROM 12 NOON TO 12 MIDNIGHT ON FRIDAYS. IN ADDITION, WITH THE EXCEPTION OF THE BRIDGE REPAIR WORK STAGING, THE RESIDENT ENGINEER SHALL COORDINATE ALL LANE CLOSURES WITH GRIZZLY STADIUM IN ORDER TO MINIMIZE DISRUPTION ON GAME DAYS.



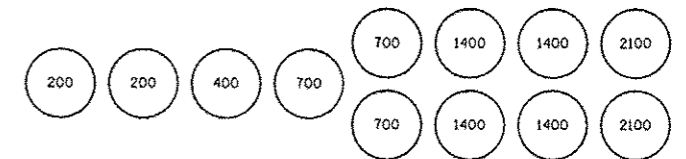
STAGE 1 TRAFFIC



STAGE 2 TRAFFIC

LEGEND

- ① EXISTING CRPCC PAVEMENT - 10"
- ② EXISTING STABILIZED SUBBASE - 4"
- ③ EXISTING HMA SHOULDERS - 10"
- ④ EXISTING CONCRETE MEDIAN BARRIER
- ⑤ EXISTING UNDERDRAINS - 4"
- ⑥ EXISTING AGGREGATE SHOULDER
- ⑦ PROPOSED HMA BASE COURSE - 10"
- ⑧ PROPOSED AGGREGATE WEDGE SHOULDER, TYPE B
- ⑨ TEMPORARY CONCRETE BARRIER
- ⑩ PROPOSED HMA SHOULDERS
- ⑪ PROPOSED AGGREGATE TYPE C
- ⑫ HMA BASE COURSE PLACED FOR STAGE 1 TRAFFIC
- ⑬ HMA BASE COURSE PLACED DURING STAGE 1
- ⑭ PROPOSED HMA SURFACE COURSE - 2"



TEMPORARY SAND MODULE IMPACT ATTENUATOR LAYOUT (IF OPTION USED)

2-14-14

FILE NAME =	USER NAME = #USER#	DESIGNED -	REVISED -	STATE OF ILLINOIS DEPARTMENT OF TRANSPORTATION	TRAFFIC CONTROL AND STAGE CONSTRUCTION NOTES	F.A.I. RTE.	SECTION	COUNTY	TOTAL SHEETS	SHEET NO.	
#FILEL#		DRAWN -	REVISED -			255	82-4HVB-1	ST. CLAIR	46	13	
		CHECKED -	REVISED -			SCALE: SHEET NO. 1 OF 10 SHEETS		CONTRACT NO. 76051			
		DATE -	REVISED -			SHEET NO. 1 OF 10 SHEETS		CONTRACT NO. 76051			