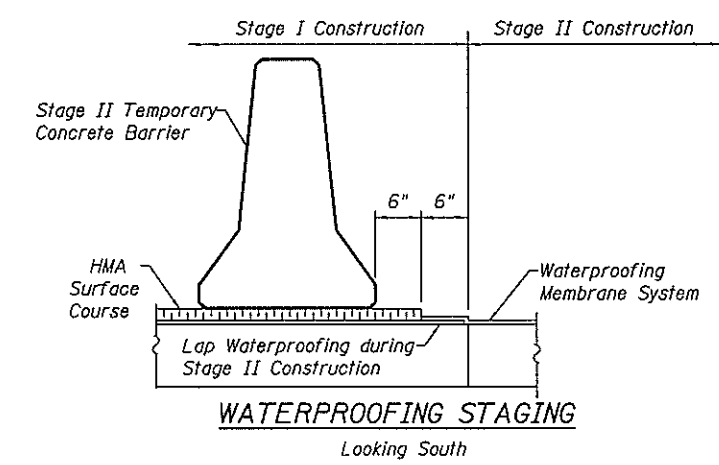
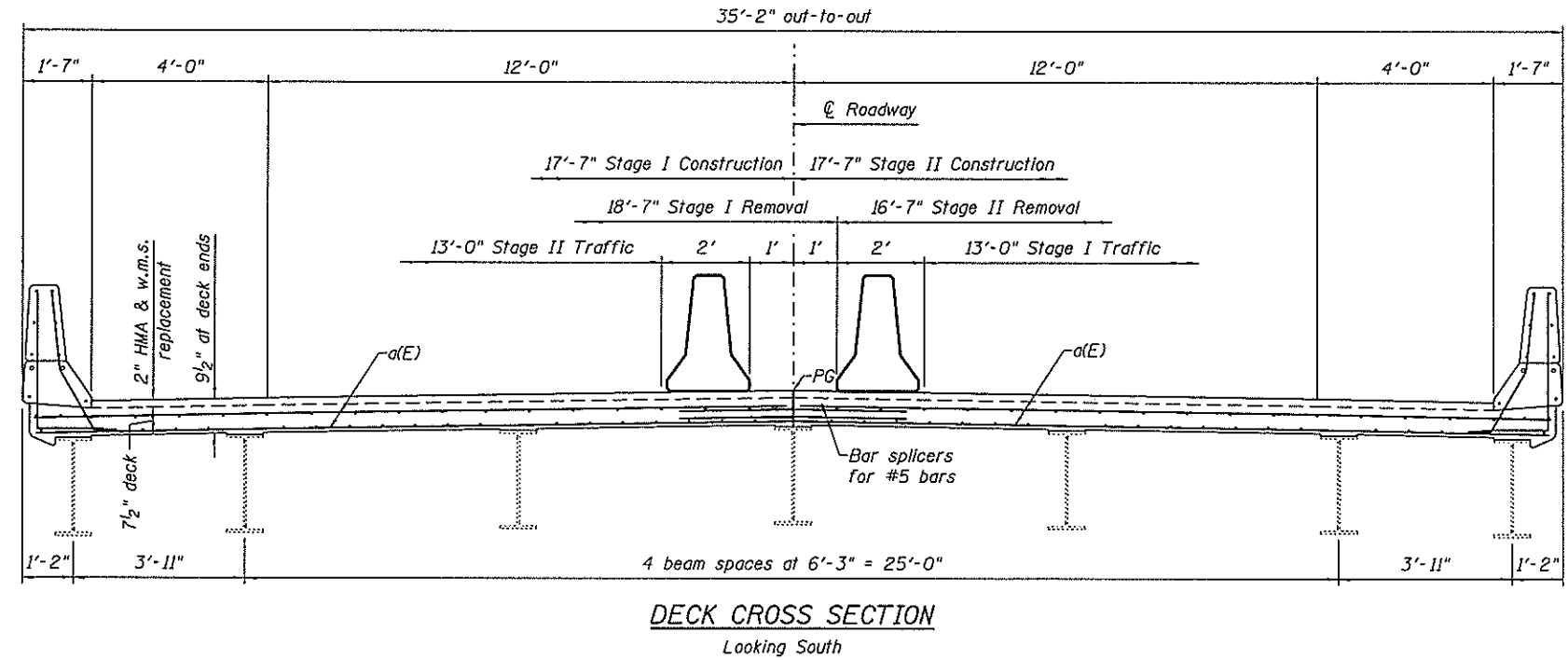
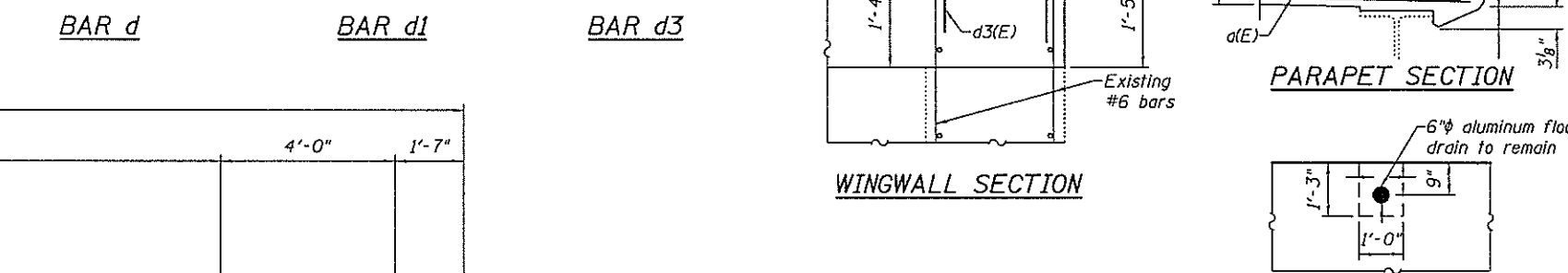


CONCRETE REMOVAL
N Abut. shown, S Abut. opposite

CONCRETE REPLACEMENT
N Abut. shown, S Abut. opposite



DRAIN DETAIL
Slope to drain with 1" minimum HMA at drains

BOTH ABUTMENTS
BILL OF MATERIAL

Bar	No.	Size	Length	Shape	
a(E)	56	#5	17'-2"	—	
d(E)	12	#5	4'-8"	J	
d1(E)	12	#5	3'-11"	J	
d2(E)	8	#5	3'-9"	—	
d3(E)	8	#5	3'-10"	J	
Reinforcement Bars, Epoxy Coated					
				Pound	1170
Concrete Superstructure				Cu. Yds.	11.0
Concrete Removal				Cu. Yds.	10.1