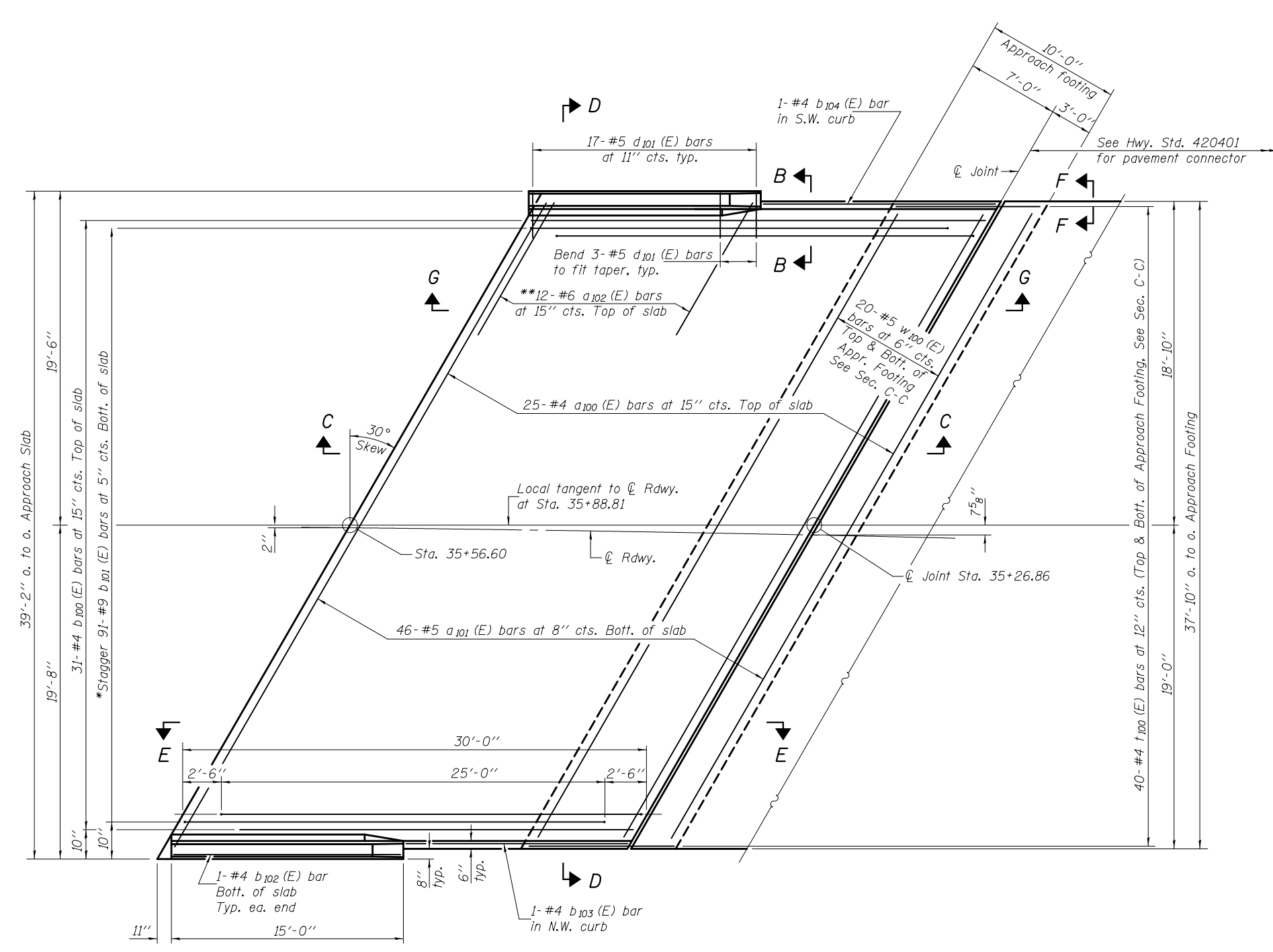


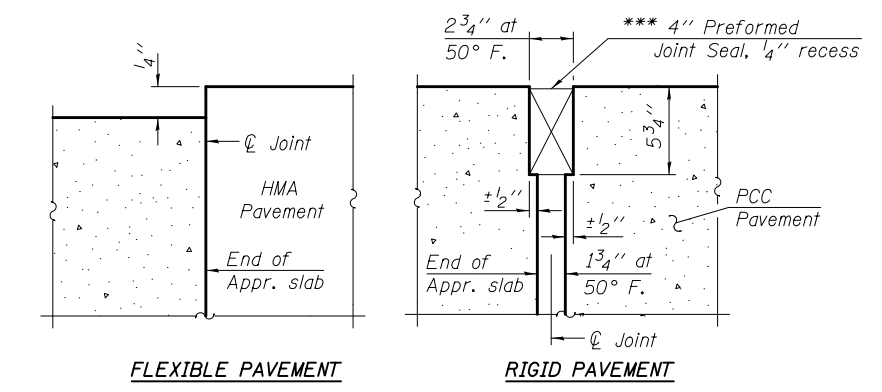
Notes:
 See sheet 12 of 18 for Sections C-C & D-D and View E-E.
 a₁₀₀ (E) and a₁₀₁ (E) bar spacings measured along local tangent
 to \varnothing Rdwy. at Sta. 35+88.81.



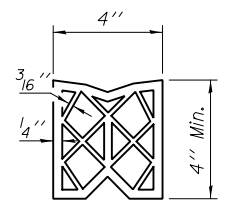
PLAN

*Tilt #9 b₁₀₁ (E) bars as required to maintain clearance.
 **Space between a₁₀₀ (E) bars, typ. ea. parapet.

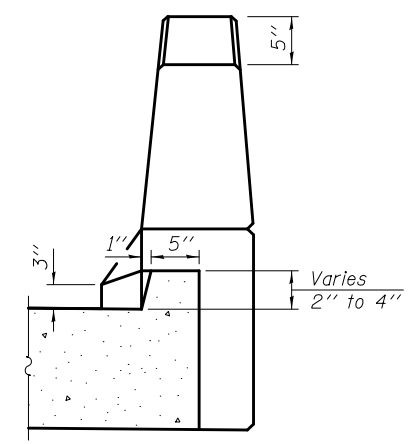
***Cost included with Concrete Superstructure.



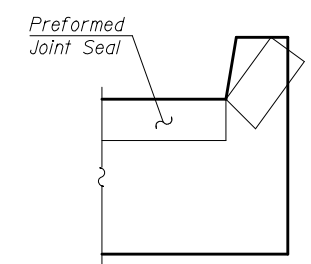
DETAIL A



PREFORMED JOINT SEAL



VIEW B-B



VIEW F-F

Angle Preformed Joint Seal at 45° at curbs when req'd for drainage.

DESIGNED - Curt M. Evoy	EXAMINED - <i>Joanne F. [Signature]</i>	DATE - JANUARY 24, 2014	STATE OF ILLINOIS DEPARTMENT OF TRANSPORTATION	WEST BRIDGE APPROACH SLAB DETAILS STRUCTURE NO. 100-0080	F.A.U. R.T.E. - 9588	SECTION - 39B-1	COUNTY - WILLIAMSON	TOTAL SHEETS - 224	SHEET NO. - 85	
CHECKED - Phillip Copperrnoll	PASSED - <i>Carl [Signature]</i>	REVISED			CONTRACT NO. 78277					
DRAWN - h.t. duong	ACTING ENGINEER OF BRIDGES AND STRUCTURES	REVISED			ILLINOIS FED. AID PROJECT					
CHECKED - FT/GRA					SHEET NO. 10 OF 18 SHEETS					