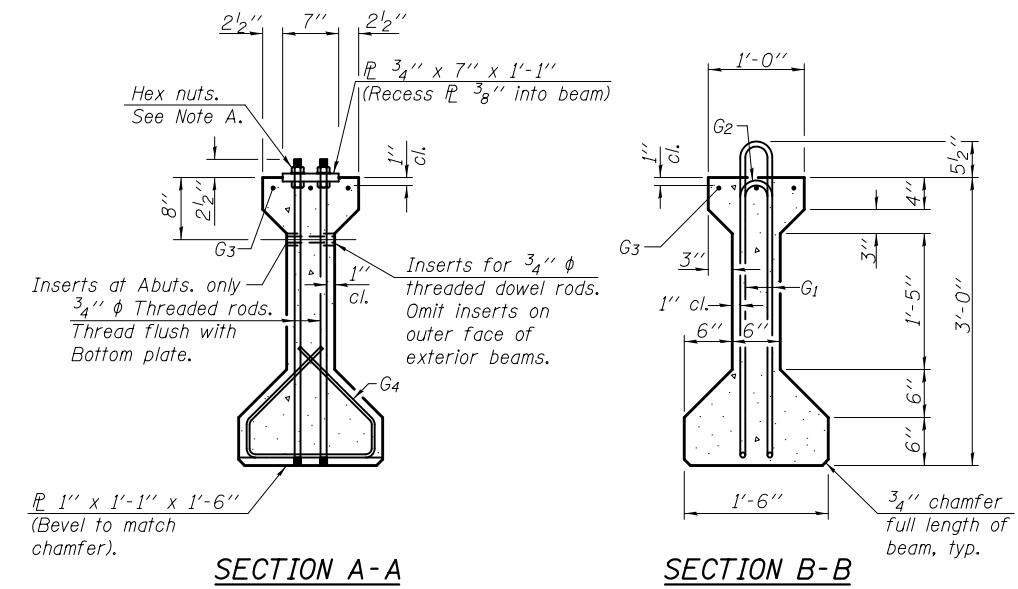


\* 3 spaces at 3" = 9".  
 \*\* 4-3/4" φ threaded dowel rods at 3" cts., Each Face

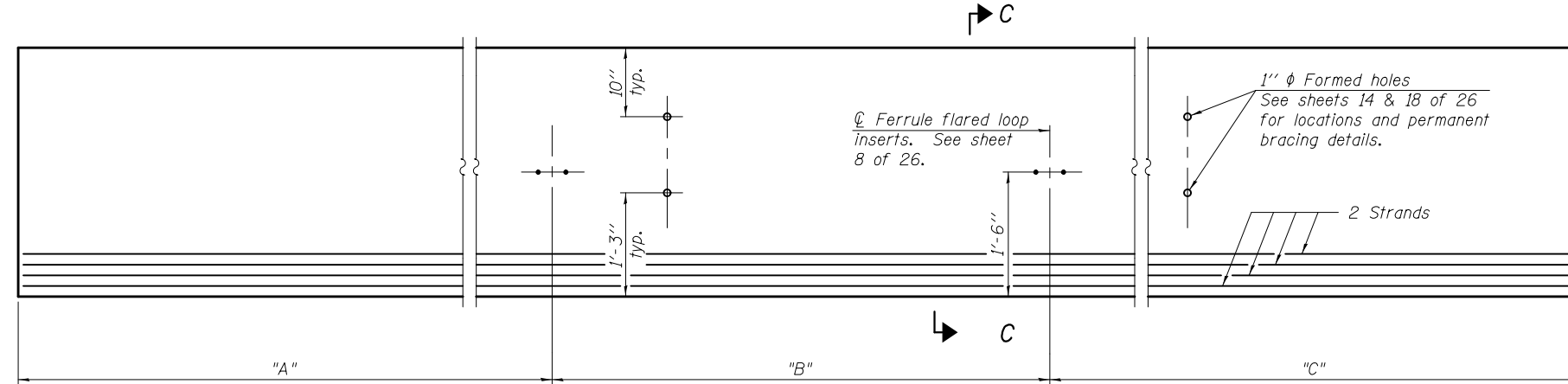
**ELEVATION OF BEAM**  
 (Showing reinforcement & dimensions)

Note A:  
 Hex nuts (top and bottom) with lock washers (top). Only tighten sufficiently to compress lock washers.



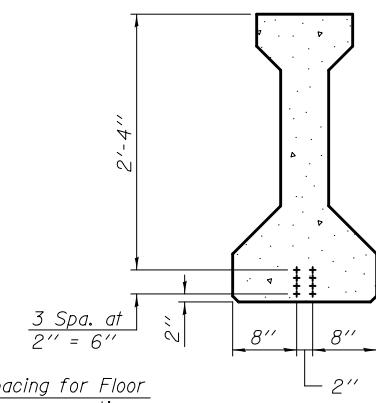
**SECTION A-A**

**SECTION B-B**



**ELEVATION OF BEAMS 1 & 6**  
 (Showing prestressing steel, inserts, and formed holes)

Insert spacing for Floor Drain clamp connections See table for dimensions



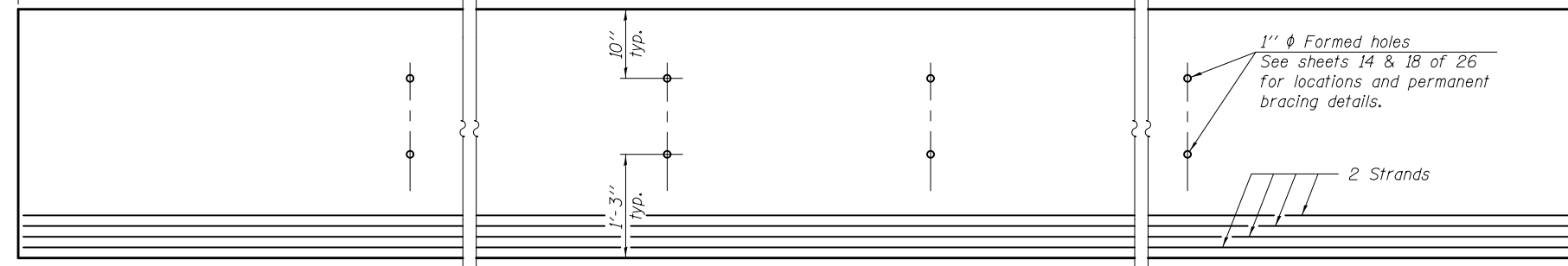
**SECTION C-C**

**\*\*\*BAR LIST  
 ONE BEAM ONLY**

Bar	No.	Size	Length	Shape
G <sub>1</sub>	35	#4	7'-7"	⊏
G <sub>2</sub>	8	#4	5'-8"	⊏
G <sub>3</sub>	6	#5	20'-10"	—
G <sub>4</sub>	38	#3	4'-1"	⊏
G <sub>6</sub>	4	#8	6'-6"	⊏

\*\*\*For information only

Notes:  
 See sheet 18 of 26 for additional details and Bill of Material.  
 Required release strength, f'ci, shall be 5,000 psi.



**ELEVATION OF BEAMS 2 THRU 5**  
 (Showing prestressing steel, inserts, and formed holes)

Location	"A"	"B"	"C"
Beam 1	11'-11 1/2"	12'-9"	15'-0 1/2"
Beam 6	15'-0 1/2"	12'-9"	11'-11 1/2"

PI-4-36

7-1-10

DESIGNED - MARK D. SHAFFER	EXAMINED - <i>Jaime F. Schaff</i>	DATE - JANUARY 24, 2014
CHECKED - STEPHEN M. RYAN	PASSED - <i>Carl Berger</i>	REVISED
DRAWN - MICHAEL B. MOSSMAN	ACTING ENGINEER OF BRIDGES AND STRUCTURES	REVISED
CHECKED - F.T. / G.R.A.		

**STATE OF ILLINOIS  
 DEPARTMENT OF TRANSPORTATION**

**36" PPC I-BEAM (SPAN 2)  
 STRUCTURE NO. 100 - 0081**

SHEET NO. 16 OF 26 SHEETS

F.A.U. RTE.	SECTION	COUNTY	TOTAL SHEETS	SHEET NO.
9588	39B-2	WILLIAMSON	224	109
			CONTRACT NO. 78277	

ILLINOIS FED. AID PROJECT