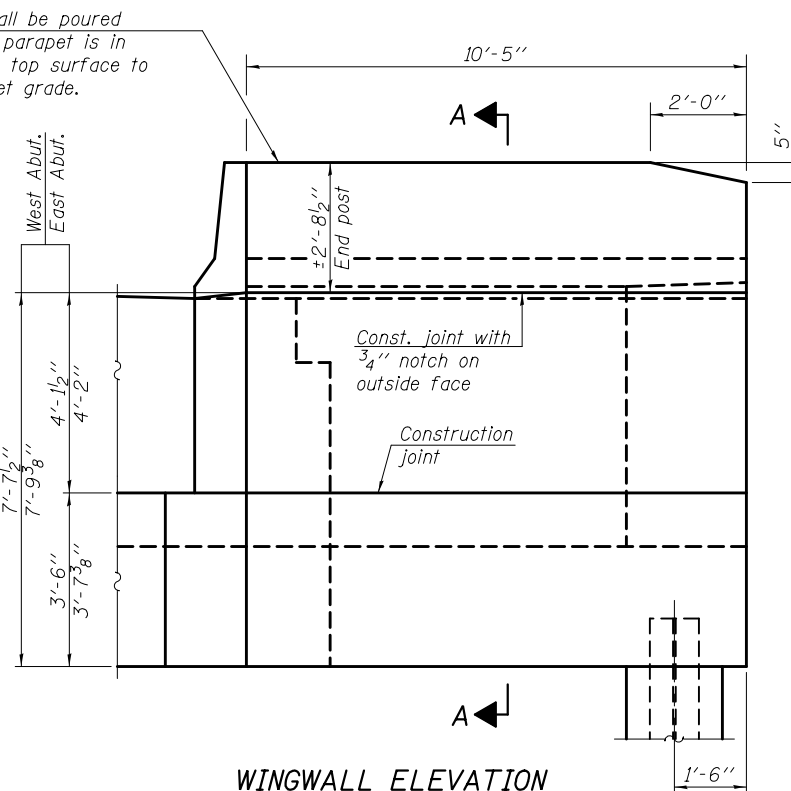


WINGWALL ELEVATION

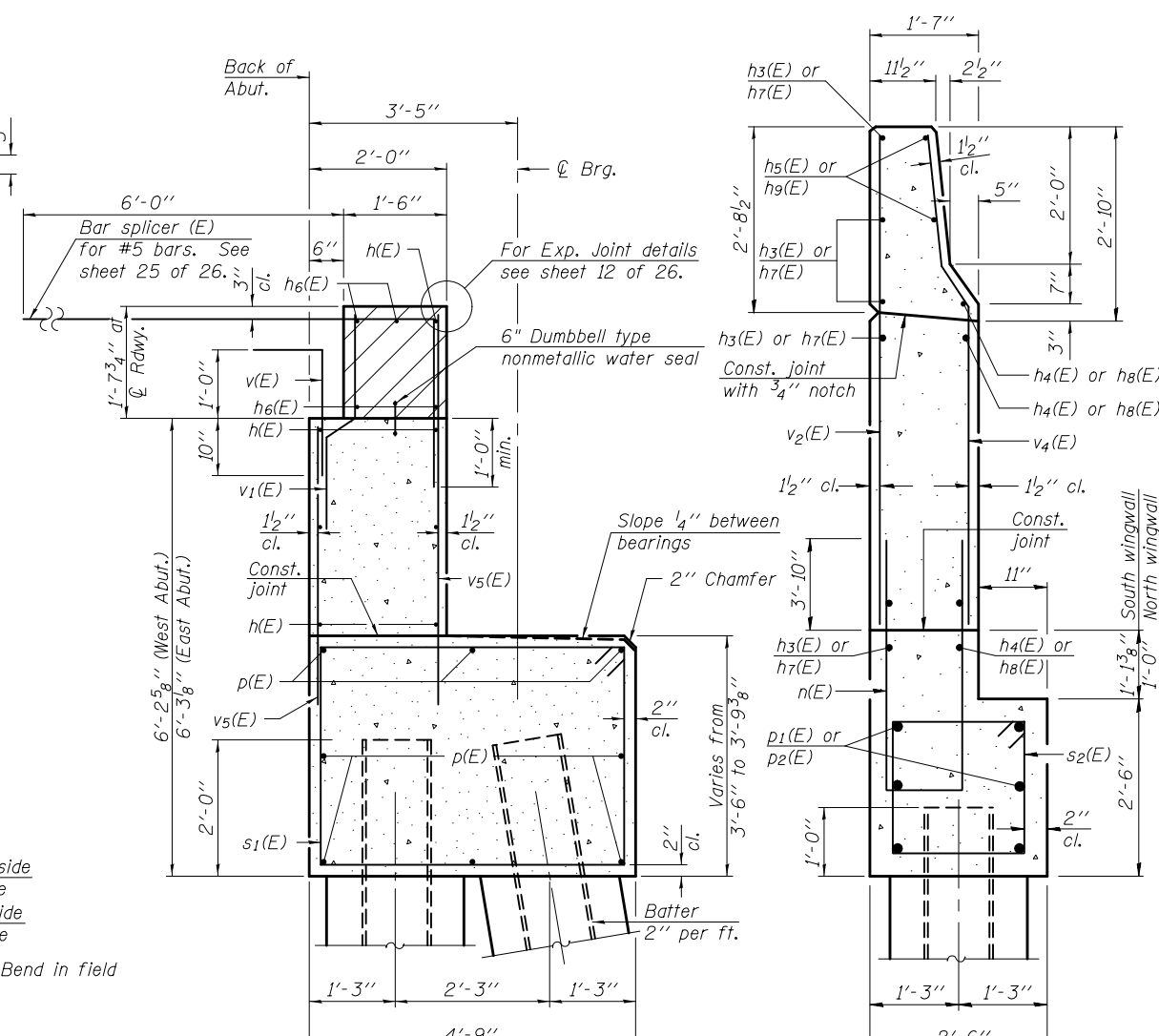
Showing dimensions
(West Abutment - South wingwall)
(East Abutment - North wingwall)



WINGWALL ELEVATION

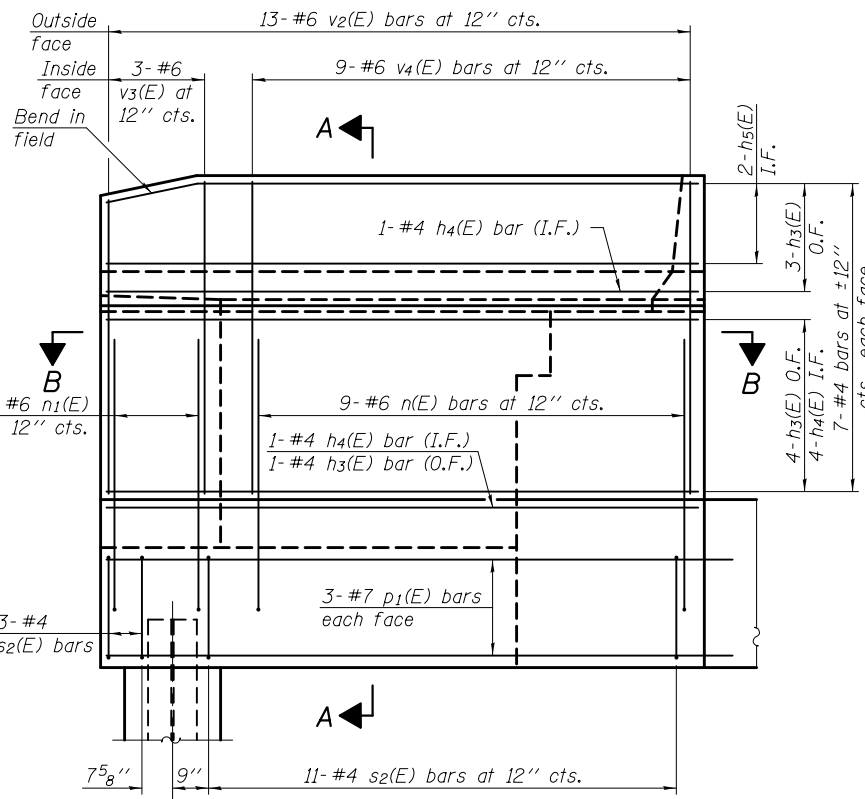
Showing dimensions
(West Abutment - North wingwall)
(East Abutment - South wingwall)

* Cut in field to fit taper.



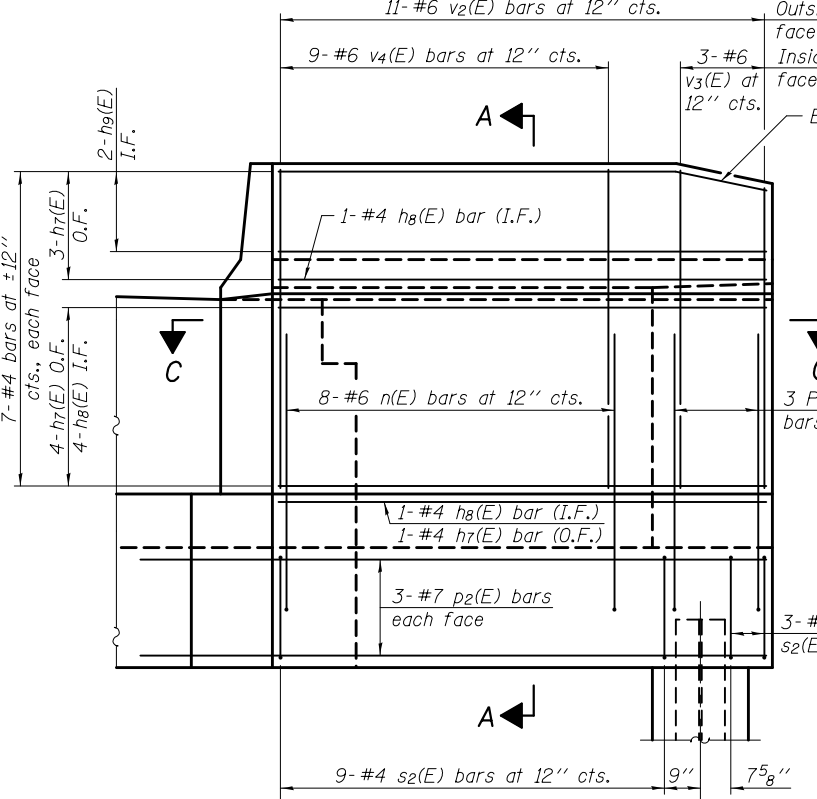
SEC. THRU ABUT.
(at Rt. L's to abutment)

SECTION A-A



WINGWALL ELEVATION

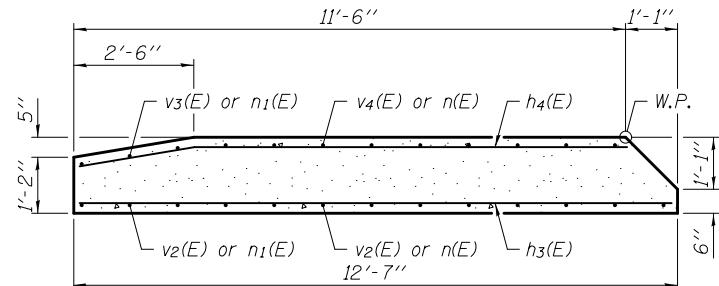
Showing reinforcement
(West Abutment - South wingwall)
(East Abutment - North wingwall)



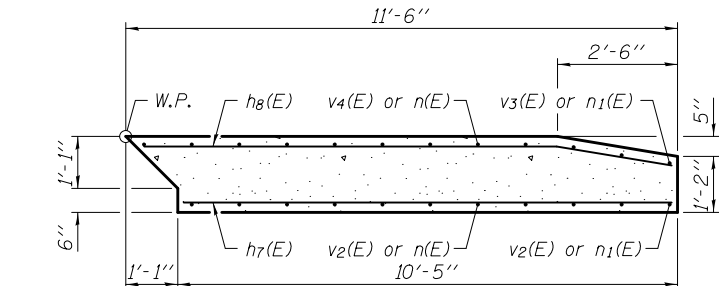
WINGWALL ELEVATION

Showing reinforcement
(West Abutment - North wingwall)
(East Abutment - South wingwall)

Notes:
Hatched area to be poured after superstructure also work has been removed. Quantity of concrete included with Concrete Superstructure.
Space reinforcement in cap to miss anchor bolts.
Pour steps monolithically with cap. Quantity of concrete in end post included with Concrete Superstructure on sheet 8 of 26.
For Concrete Encasement details, see sheet 24 of 26.



SECTION B-B



SECTION C-C