

03-03-2017 LETTING ITEM 021

STATE OF ILLINOIS
DEPARTMENT OF TRANSPORTATION
DIVISION OF HIGHWAYS

**PROPOSED
HIGHWAY PLANS**

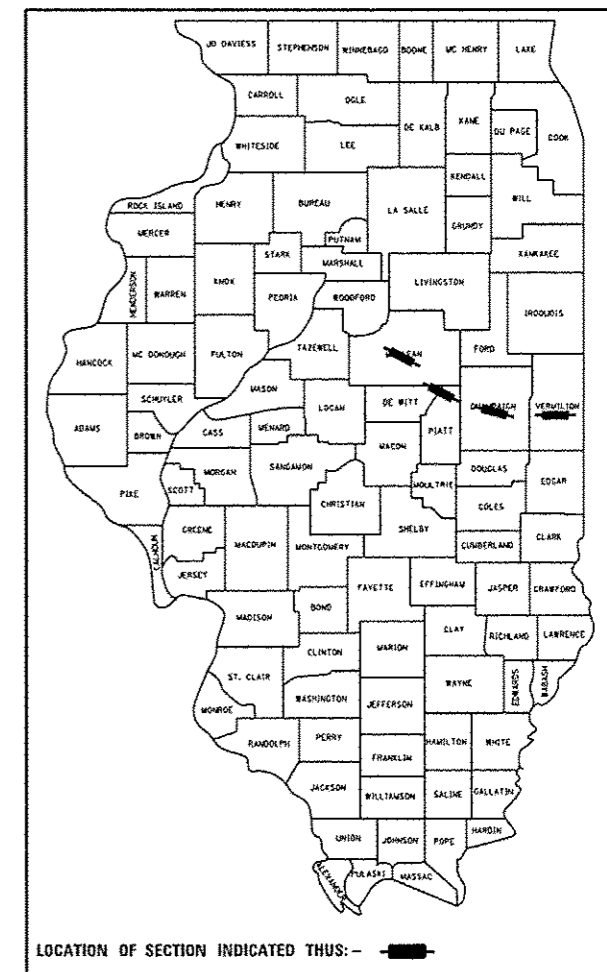
F.A.I. ROUTE 74
SECTION FY2017 BRIDGE DECK SEALING
VARIOUS COUNTIES

C-95-030-16

F.A.I. RTE.	SECTION	COUNTY	TOTAL SHEETS	SHEET NO.
74	*	**	19	1
ILLINOIS		CONTRACT NO. 70B94		

*FY2017 BRIDGE DECK SEALING
**VARIOUS COUNTIES

D-95-030-16

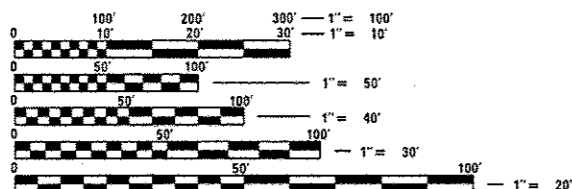


FOR INDEX OF SHEETS, SEE SHEET NO. 2
FOR SUMMARY OF QUANTITIES, SEE SHEET NO. 7

CURRENT ADT	
F.A.I. 74	
HIGHEST LOCATION SHOWN	
2009 ADT =	54,300
2020 ADT =	65,000
PU + PC =	80%
SU =	5%
MU =	15%

DESIGN DESIGNATION
INTERSTATE

FOR LOCATION MAPS SEE SHEETS NO. 3 THRU NO. 6



FULL SIZE PLANS HAVE BEEN PREPARED USING STANDARD ENGINEERING SCALES. REDUCED SIZED PLANS WILL NOT CONFORM TO STANDARD SCALES. IN MAKING MEASUREMENTS ON REDUCED PLANS, THE ABOVE SCALES MAY BE USED.

J.U.L.I.E.
JOINT UTILITY LOCATION INFORMATION FOR EXCAVATION
1-800-892-0123
OR 811

PROJECT ENGINEER & DESIGNER: TIM BRANDENBURG
(217)465-4181

CONTRACT NO. 70B94

STATE OF ILLINOIS
DEPARTMENT OF TRANSPORTATION
DIVISION OF HIGHWAYS

SUBMITTED November 29 2016
Paula James
DEPUTY DIRECTOR OF HIGHWAYS, REGION ENGINEER

Jan 27 2017
Maween M. Addis Pech
ENGINEER OF DESIGN AND ENVIRONMENT

Jan 27 2017
Aselle
DIRECTOR OF PROGRAM DEVELOPMENT

PRINTED BY THE AUTHORITY
OF THE STATE OF ILLINOIS

INDEX OF SHEETS

SHEET NO.	DESCRIPTION
1	COVER SHEET
2	INDEX OF SHEETS, GENERAL NOTES AND HIGHWAY STANDARDS
3	CHAMPAIGN & VERMILION COUNTY LOCATION MAPS
4	DEWITT & PIATT COUNTY LOCATION MAPS
5 - 6	MCLEAN COUNTY LOCATION MAPS
7	SUMMARY OF QUANTITIES
8 - 11	TYPICAL APPLICATION SECTIONS
12 - 13	CHAMPAIGN COUNTY SCHEDULES
14 - 15	DEWITT & PIATT COUNTY SCHEDULES
16 - 17	MCLEAN COUNTY SCHEDULES
18 - 19	VERMILION COUNTY SCHEDULES

GENERAL NOTES

G.N. - 100

ENGLISH UNITS OF MEASUREMENT SHALL GOVERN OVER AND SUPERSEDE ANY METRIC UNITS SHOWN IN THIS CONTRACT. WHERE INCLUDED, METRIC UNITS ARE FOR INFORMATION ONLY.

G.N. * PAVEMENT MARKINGS AND MARKERS

EXISTING PAVEMENT MARKINGS AND RAISED REFLECTIVE PAVEMENT MARKERS SHALL BE TEMPORARILY COVERED PRIOR TO APPLICATION OF THE DECK SURFACE TREATMENT, TO PREVENT THE MATERIAL FROM BEING APPLIED TO THE MARKINGS AND MARKERS. THE TEMPORARY COVERING SHALL BE REMOVED AFTER APPLICATION OF THE DECK SURFACE TREATMENT AND PRIOR TO OPENING TO TRAFFIC. COST IS INCLUDED WITH THE DECK SURFACE TREATMENT SPECIFIED.

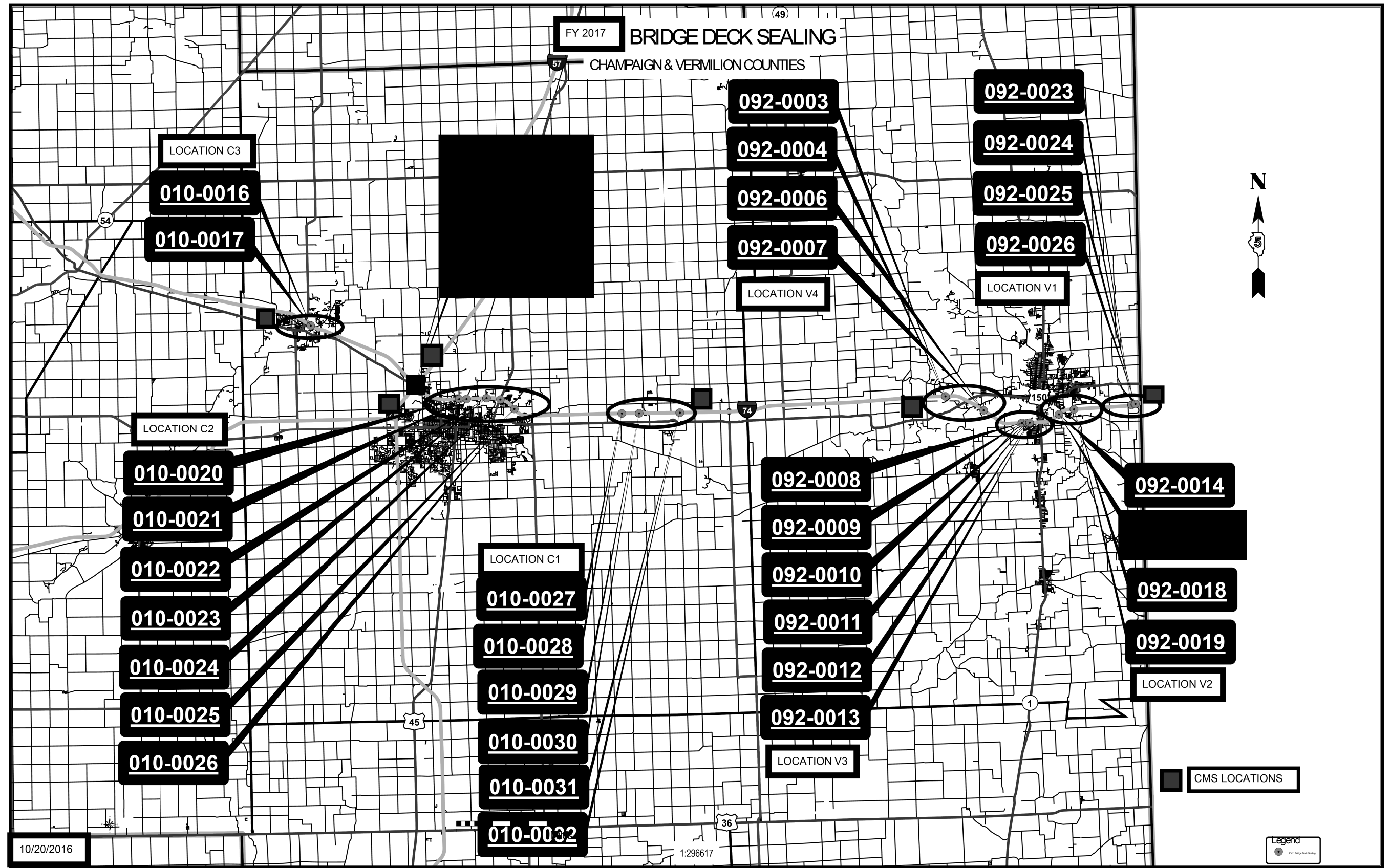
NO COMMITMENTS

LIST OF HIGHWAY STANDARDS

STANDARD NO.	DESCRIPTION
0000001-06	STANDARD SYMBOLS, ABBREVIATIONS AND PATTERNS
001006	DECIMAL OF AN INCH AND OF A FOOT
701400-09	APPROACH TO LANE CLOSURE, FREEWAY/EXPRESSWAY
701406-11	LANE CLOSURE, FREEWAY/EXPRESSWAY, DAY OPERATIONS ONLY
701411-09	LANE CLOSURE, MULTILANE, AT ENTRANCES OR EXIT RAMP
701428-01	TRAFFIC CONTROL SETUP & REMOVAL FREEWAY/EXPRESSWAY
701446-08	TWO LANE CLOSURE, FREEWAY/EXPRESSWAY
701901-06	TRAFFIC CONTROL DEVICES

*FY2017 BRIDGE DECK SEALING
**VARIOUS COUNTIES

FILE NAME =	USER NAME = brandenburgj	DESIGNED - TJB	REVISED -	STATE OF ILLINOIS DEPARTMENT OF TRANSPORTATION	INDEX OF SHEETS, GENERAL NOTES AND LIST OF HIGHWAY STANDARDS	F.A.I. RTE.	SECTION	COUNTY	TOTAL SHEETS	SHEET NO.
\\IL084EBID\INTEC\Illinois.gov\PI\DOT\Docu	ments\DOT Offices\District 5\Projects\DS7	DRAWN Date: TJB\0570894-shr-genn	REVISED -			74	*	**	19	2
PLT SCALE = 48.0000 / 1 in.	CHECKED -	REVISED -				CONTRACT NO. 70B94				
PLT DATE = 11/26/2016	DATE = 10/21/2016	REVISED -				[ILLINOIS] FED. AID PROJECT				
				SCALE: NONE	SHEET NO. 1 OF 1 SHEETS	STA.	TO STA.			



10/20/2016

1:296617

Legend
 CMS LOCATIONS

•FY2017 BRIDGE DECK SEALING
 ••VARIOUS COUNTIES

FILE NAME =	USER NAME = brandenburgtj	DESIGNED - TJB	REVISED -
p:\11\084EBIDINTEG\illinois.gov\PI\DOT\Documents\DOT Offices\District 5\Projects\0577\DRAWING\Hydro\TUBa\0570894-sht-loc.mxd		REVISIONS	REVISED -
	PLOT SCALE = 40.0000' / in.	CHECKED -	REVISED -
	PLOT DATE = 11/26/2016	DATE - 10/20/2016	REVISED -

**STATE OF ILLINOIS
 DEPARTMENT OF TRANSPORTATION**

**LOCATION MAP
 CHAMPAIGN & VERMILION COUNTIES**

SCALE: NONE SHEET NO. 1 OF 4 SHEETS STA. TO STA.

F.A.I. RTE.	SECTION	COUNTY	TOTAL SHEETS	SHEET NO.
74	•	•	19	3
CONTRACT NO. 70B94				
ILLINOIS FED. AID PROJECT				



FY 2017 BRIDGE DECK SEALING
DEWITT & PIATT COUNTIES

LOCATION D1

020-0030 & 0031

020-0032 & 0033

020-0026 & 0027

020-0028 & 0029

LOCATION P1

074-0042 & 0043

074-0037 & 0038

LOCATION P2

10/20/2016

CMS LOCATIONS

•FY2017 BRIDGE DECK SEALING
••VARIOUS COUNTIES

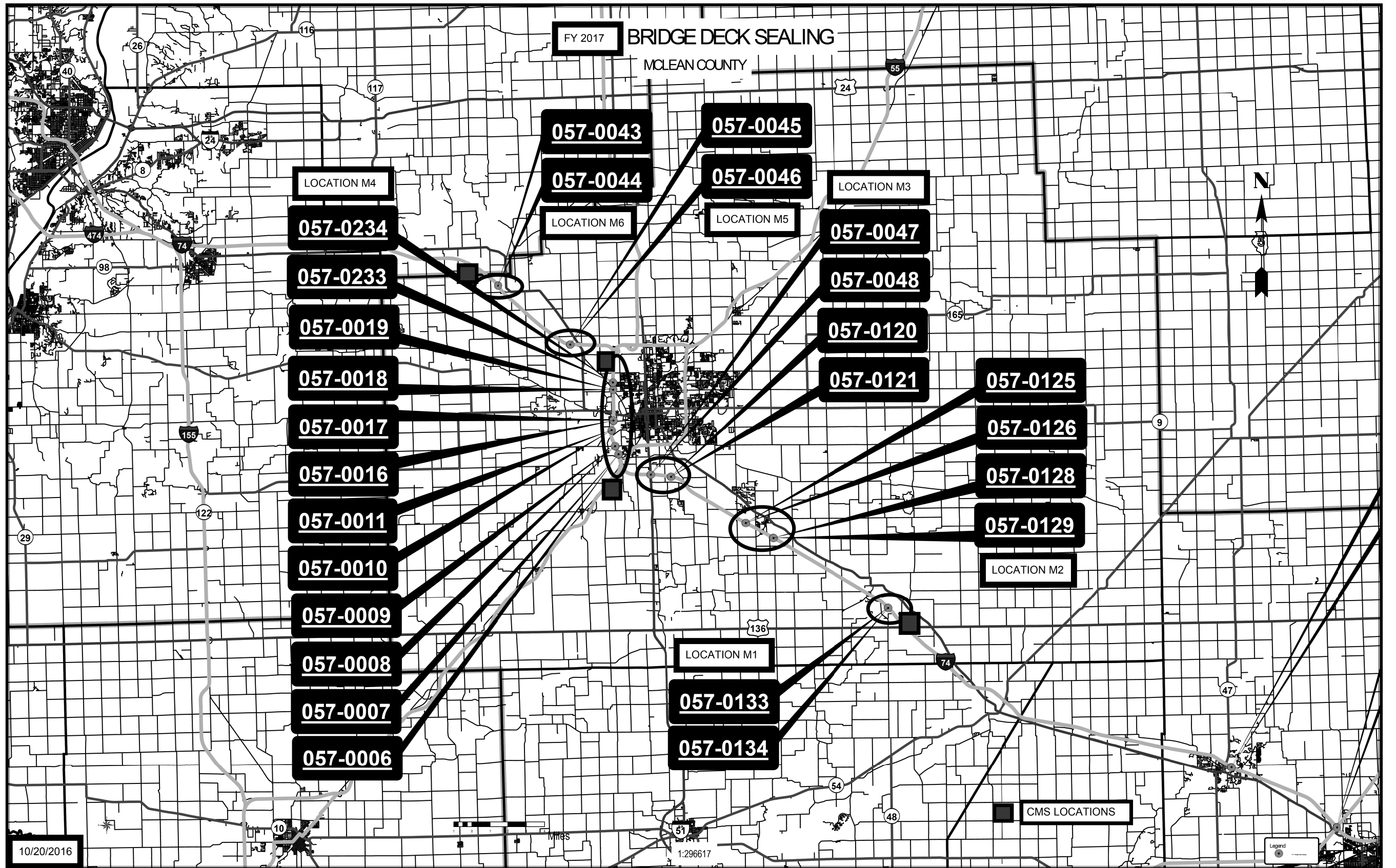
FILE NAME =	USER NAME = brandenburgtj	DESIGNED - TJB	REVISED -
p:\11\084EBIDINTEG\illinois.gov\PI\DOT\Documents\DOT Offices\District 5\Projects\0579\Drawings\Hydro\TUB\0570B94-sht-loc.mxd			
	PLOT SCALE = 40.0000' / in.	CHECKED -	REVISED -
	PLOT DATE = 11/26/2016	DATE - 10/20/2016	REVISED -

STATE OF ILLINOIS
DEPARTMENT OF TRANSPORTATION

LOCATION MAP
DEWITT & PIATT COUNTIES

SCALE: NONE SHEET NO. 2 OF 4 SHEETS STA. TO STA.

F.A.I. RTE.	SECTION	COUNTY	TOTAL SHEETS	SHEET NO.
74	•	•	19	4
CONTRACT NO. 70B94				
ILLINOIS FED. AID PROJECT				



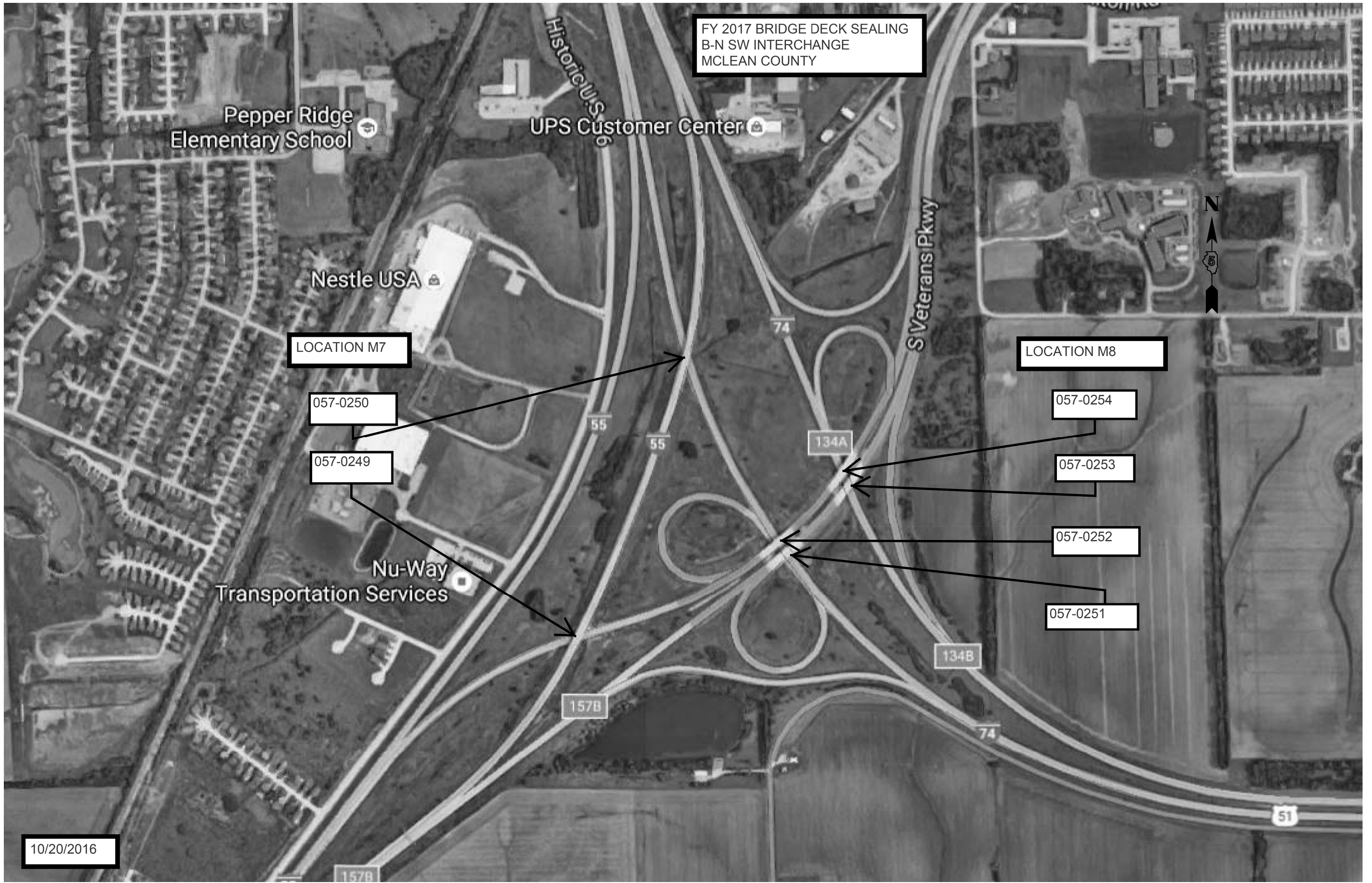
FILE NAME =	USER NAME = brandenburgtj	DESIGNED - TJB	REVISED -
p:\1\084EBIDINTEG\illinois.gov\PIWIDOT\Documents\IDOT Offices\District 5\Projects\05778\Drawings\Hydro\TUBa\0570894-sht-loc.mxd		CHECKED -	REVISED -
		DATE - 11/26/2016	REVISED -

**STATE OF ILLINOIS
DEPARTMENT OF TRANSPORTATION**

**LOCATION MAP
MCLEAN COUNTY**

SCALE: NONE SHEET NO. 3 OF 4 SHEETS STA. TO STA.

●FY2017 BRIDGE DECK SEALING			
●VARIOUS COUNTIES			
F.A.I. RTE.	SECTION	COUNTY	TOTAL SHEETS SHEET NO.
74	•	•	19 5
CONTRACT NO. 70B94			
ILLINOIS FED. AID PROJECT			



FY 2017 BRIDGE DECK SEALING
 B-N SW INTERCHANGE
 MCLEAN COUNTY

Pepper Ridge
 Elementary School

UPS Customer Center

Nestle USA

LOCATION M7

057-0250

057-0249

Nu-Way
 Transportation Services

LOCATION M8

057-0254

057-0253

057-0252

057-0251

10/20/2016

•FY2017 BRIDGE DECK SEALING
 •VARIOUS COUNTIES

FILE NAME =	USER NAME = brandenburgtj	DESIGNED - TJB	REVISED -
p:\11\084EBID\INTEG.illinois.gov\PWIDOT\Documents\DOT Offices\District 5\Projects\05779\DRAWING\Hydro\TUBs\0570894-sht-loc.mxd			REVISED -
	PLOT SCALE = 40.0000' / in.	CHECKED -	REVISED -
	PLOT DATE = 11/26/2016	DATE - 10/20/2016	REVISED -

STATE OF ILLINOIS
 DEPARTMENT OF TRANSPORTATION

LOCATION MAP
 MCLEAN COUNTY

SCALE: NONE SHEET NO. 4 OF 4 SHEETS STA. TO STA.

F.A.I. RTE.	SECTION	COUNTY	TOTAL SHEETS	SHEET NO.
74	•	•	19	6
CONTRACT NO. 70B94				
ILLINOIS FED. AID PROJECT				

SUMMARY OF QUANTITIES

LOCATION OF WORK			FAI ROUTE 74										
			SECTION FY 2017 BRIDGE DECK SEALING										
			MULTI-LANE INTERSTATE (FOUR AND SIX LANES)										
			FUNDING 100% STATE										
			BRIDGE PREVENTATIVE MAINTENANCE										
CONSTRUCTION CODE			0014										
			CHAMPAIGN COUNTY		DEWITT COUNTY		MCLEAN COUNTY		PIATT COUNTY		VERMILION COUNTY		
			RURAL	URBAN	RURAL	URBAN	RURAL	URBAN	RURAL	URBAN	RURAL	URBAN	
			TOTAL										
CODE NO	DESCRIPTION	UNIT	QUANTITY	QUANTITY	QUANTITY	QUANTITY	QUANTITY	QUANTITY	QUANTITY	QUANTITY	QUANTITY	QUANTITY	
67100100	MOBILIZATION	L SUM	1.0	0.1	0.2	0.0	0.1	0.0	0.3	0.1	0.0	0.0	
70100420	TRAFFIC CONTROL AND PROTECTION, STANDARD 701411	EACH	51.0	5.0	10.0	0.0	2.0	1.0	18.0	1.0	0.0	2.0	
70100700	TRAFFIC CONTROL AND PROTECTION, STANDARD 701406	L SUM	1.0	0.1	0.0	0.0	0.1	0.2	0.2	0.2	0.0	0.0	
70100815	TRAFFIC CONTROL AND PROTECTION, STANDARD 701446	L SUM	1.0	0.0	0.3	0.0	0.0	0.0	0.7	0.0	0.0	0.0	
70200100	NIGHTTIME WORKZONE LIGHTING	L SUM	1.0	0.0	0.3	0.0	0.0	0.0	0.7	0.0	0.0	0.0	
X5870015	BRIDGE DECK CONCRETE SEALER	SQ FT	1204231.0	103370.0	196573.0	37272.0	49650.0	52696.0	418557.0	39586.0	0.0	33860.0	
X7015005	CHANGEABLE MESSAGE SIGN	CAL DA	168.0	0.0	56.0	0.0	14.0	0.0	56.0	14.0	0.0	0.0	

NO SPECIALTY ITEMS

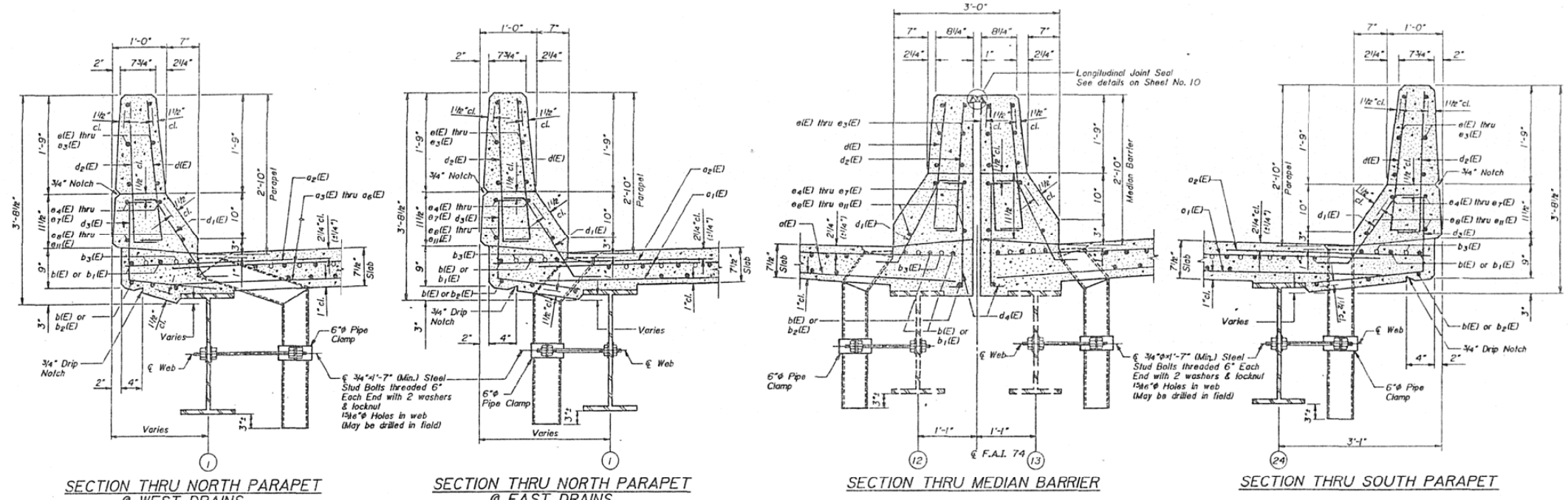
•FY2017 BRIDGE DECK SEALING
••VARIOUS COUNTIES

FILE NAME :	USER NAME : brendenburgtj	DESIGNED - TJB	REVISED -	STATE OF ILLINOIS DEPARTMENT OF TRANSPORTATION	SUMMARY OF QUANTITIES	F.A.T. RTE.	SECTION	COUNTY	TOTAL SHEETS	SHEET NO.	
pu:\11004EBIDINTEG\Illinois.gov\PWIDOT\Documents\DOT Offices\District 5\Projects\057	DRAWN Date\Hydra\SUB\0578094-eh-500.d	CHECKED -	REVISED -			74	.	••	19	7	
PLOT SCALE = 48,0000' / in.		DATE - 10/20/2016	REVISED -			CONTRACT NO. 70B94					
PLOT DATE = 11/26/2016			REVISED -			ILLINOIS FED. AID PROJECT					

REV

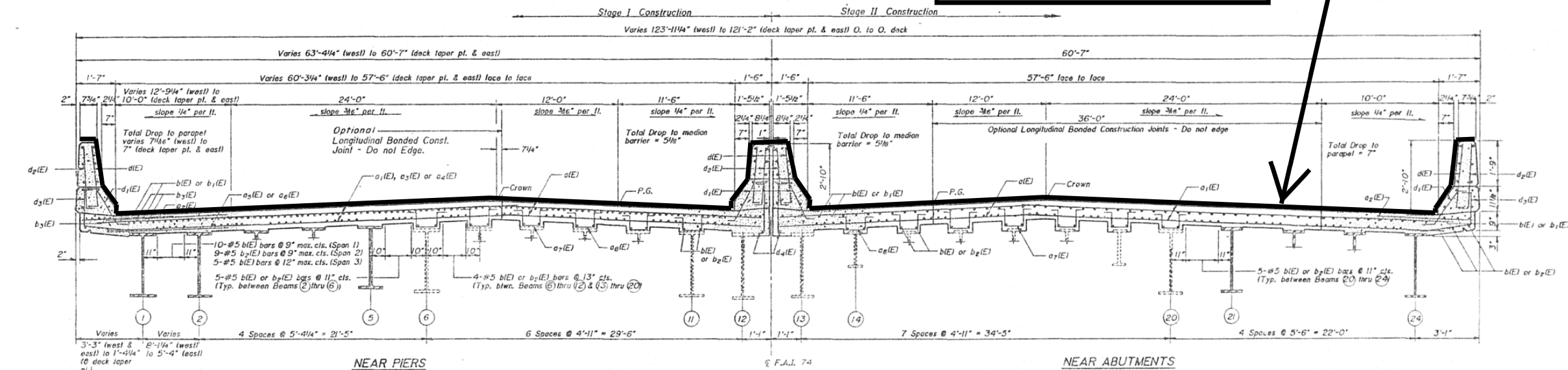
STATE OF ILLINOIS
DEPARTMENT OF TRANSPORTATION

ROUTE NO. SECTION	COUNTY	TOTAL SHEETS	SHEET NO.	SHEET NO. 8
F.A.I. 74 04B-2DR	CHAMPAIGN	140	68	
FED. ROAD DIST. NO. 7	ILLINOIS PROJECT			



SECTION THRU NORTH PARAPET @ WEST DRAINS SECTION THRU NORTH PARAPET @ EAST DRAINS SECTION THRU MEDIAN BARRIER SECTION THRU SOUTH PARAPET

PROPOSED BRIDGE DECK CONCRETE SEALER



BASCOR, INC.
consulting engineers and planners

DESIGNED:	GSP
CHECKED:	HE
DRAWN:	SAW
CHECKED:	GSP

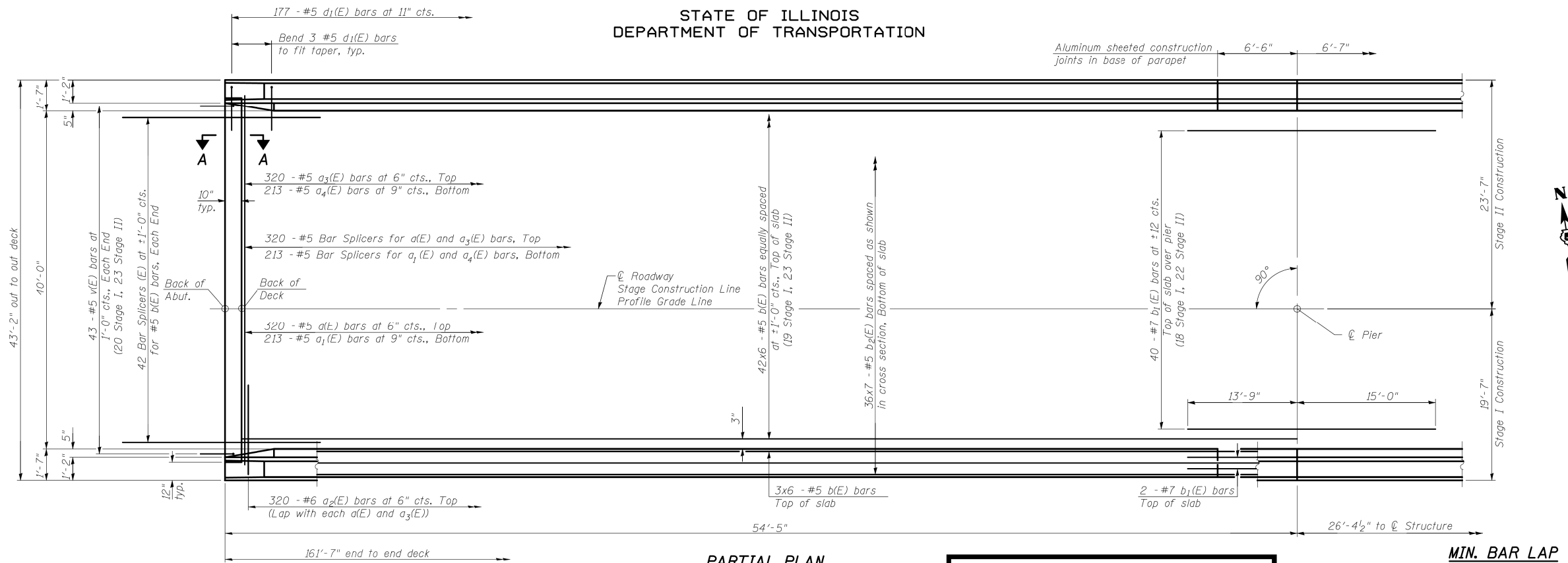
TYPICAL SECTION THRU CHAMPAIGN; SIX-LANE

SUPERSTRUCTURE DETAILS I

F.A.I. ROUTE 74
OVER MARKET STREET
SECTION 04B-2) BR
CHAMPAIGN COUNTY
STA. 1200+06.10

•FY2017 BRIDGE DECK SEALING
•VARIOUS COUNTIES

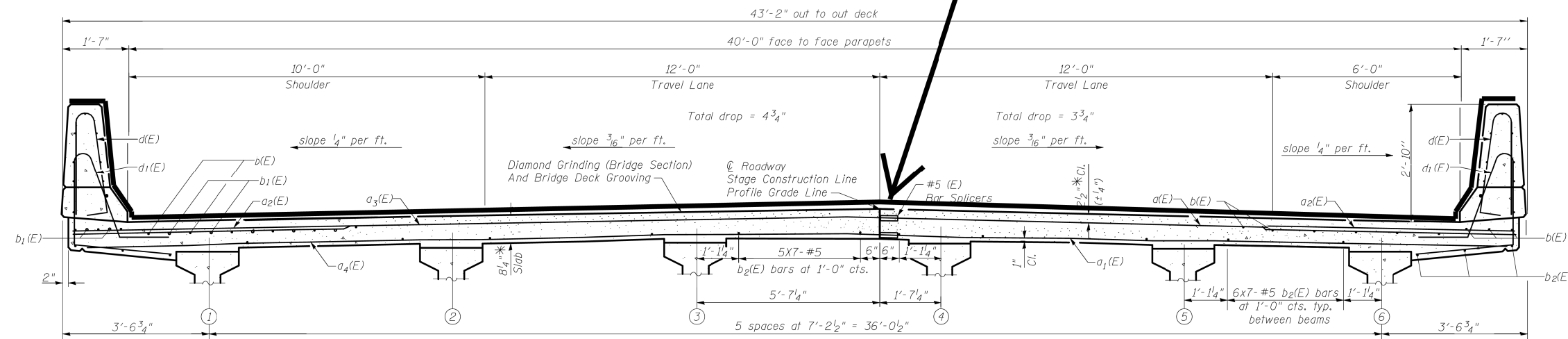
STATE OF ILLINOIS
DEPARTMENT OF TRANSPORTATION



PARTIAL PLAN

PROPOSED BRIDGE DECK CONCRETE SEALER

MIN. BAR LAP
#5 Bar = 1'-8"



TYPICAL SECTION; FOUR-LANE WITH PARAPET; DUAL STRUCTURES

CROSS SECTION

(Looking Upstation Westbound)
(Looking Downstation Eastbound)

DESIGNED	RRD
CHECKED	AJS
DRAWN	KAS
CHECKED	JAR

Notes:
See Sheet 12 of 27 for superstructure details and Bill of Material.
Bars indicated thus 20 x 3-#5 etc. indicates 20 lines of bars with 3 lengths per line.
See Sheet 12 of 27 for parapet reinforcement.
See Sheet 27 of 27 for bar splicers details.
See Sheet 11 of 27 for diaphragm details.

* Prior to grinding

SUPERSTRUCTURE
I-74 OVER LITTLE KICKAPOO CREEK
STRUCTURE NO. 057-0120
AND 057-0121

STRAND ASSOCIATES, INC.

SHEET NO.	F.A.I. RTE.	SECTION	COUNTY	TOTAL SHEETS	SHEET NO.
10	74	(57-21B)BR	MCLEAN	61	22
27 SHEETS			CONTRACT NO. 70641		
FED. ROAD DIST. NO. 7 ILLINOIS FED. AID PROJECT					

•FY2017 BRIDGE DECK SEALING
••VARIOUS COUNTIES

FILE NAME =	USER NAME = brandenburtj	DESIGNED - TJB	REVISED -	STATE OF ILLINOIS DEPARTMENT OF TRANSPORTATION	TYPICAL SECTION; FOUR-LANE WITH PARAPET; DUAL STRUCTURES	F.A.I. RTE.	SECTION	COUNTY	TOTAL SHEETS	SHEET NO.
pw:\IL\084EBIDINTEG.illinois.gov\PIWIDOT\Documents\DOT Offices\District 5\Projects\057-0120\Drawings\Hydro\TUBs\0570894-shr-det-REVISED -	DRAWN - KAS	CHECKED -	REVISED -			74	.	••	19	10
PLOT SCALE = 40.0000' / in.	CHECKED -	REVISED -	REVISED -			CONTRACT NO. 70B94				
PLOT DATE = 11/26/2016	DATE - 10/20/2016	REVISED -	REVISED -	SCALE: NONE	SHEET NO. 3 OF 4 SHEETS	STA.	TO STA.	ILLINOIS FED. AID PROJECT		

CHAMPAIGN COUNTY STRUCTURES SCHEDULE OF QUANTITIES

ACTUAL MEASUREMENTS

SN	ROUTE CARRIED	FEATURE CROSSED	SIMS INFORMATION		DECK			APPROACH SLABS					PARAPETS (HUB, FACE & TOP)				TYPE B CURB (FACE & TOP)			TOTAL (SQ FT)	RURAL	URBAN	
			LENGTH	WIDTH	LENGTH (E-E)	WIDTH (F-F)	AREA (SQ FT)	LENGTH (FT)	DIMENSIONS INSIDE PARAPET / CURB		DIMENSIONS BEYOND PARAPET / CURB		AREA (SQ FT)	HEIGHT	LENGTH (FT)		AREA (SQ FT)	HEIGHT	LENGTH				
									LENGTH	WIDTH	LENGTH	WIDTH			3.6 FT TYPICAL	ALONG DECK			ALONG APPR.				9 INCH TYPICAL
010-0016	I-74(EB)	SANGAMON RIVER	350.2	46.8	392.2	46.2	18119.6	30.0	0.0	46.2	30.0	47.2	2832.0	3.60	392.2	0.0	2823.8	0.75	30.0	90.0	23866.0	X	
010-0017	I-74(WB)	SANGAMON RIVER	350.2	43.2	392.2	40.0	15688.0	30.0	0.0	40.0	30.0	41.0	2460.0	3.60	392.2	0.0	2823.8	0.75	30.0	90.0	21062.0	X	
010-0020	I-74	MARKET ST(FAU 7169)	146.5	121.2	144.2	115.5	16651.6	50.0	18.0	115.5	32.0	78.5	9182.0	3.60	144.2	18.0	2594.4	0.75	32.0	96.0	28525.0		X
010-0021	I-74	IC RR & TR 158	725.0	121.2	722.7	115.2	83229.9	50.0	24.0	115.2	26.0	116.2	11570.6	3.60	722.7	24.0	11097.6	0.75	26.0	78.0	105977.0		X
010-0022	I-74(WB)	W FORK SALINE BRANCH	100.2	60.5	97.9	57.3	5608.0	20.0	12.0	57.3	8.0	58.3	2308.0	3.60	97.9	12.0	877.5	0.75	8.0	24.0	8818.0		X
010-0023	I-74(EB)	W FORK SALINE BRANCH	100.2	60.5	97.9	57.3	5608.0	20.0	12.0	57.3	8.0	58.3	2308.0	3.60	97.9	12.0	877.5	0.75	8.0	24.0	8818.0		X
010-0024	I-74	US 45(FAP 800)	186.8	97.2	184.5	91.7	16910.4	52.0	12.0	91.7	40.0	48.0	6040.1	3.60	184.5	12.0	3002.0	0.75	40.0	120.0	26073.0		X
010-0025	I-74(EB)	SALINE BRANCH	164.7	43.2	162.4	40.0	6494.8	23.2	12.0	40.0	6.0	32.0	1344.0	3.60	162.4	12.0	1341.9	0.00	6.0	0.0	9181.0		X
010-0026	I-74(WB)	SALINE BRANCH	164.7	43.2	162.4	40.0	6494.8	23.2	12.0	40.0	6.0	32.0	1344.0	3.60	162.4	12.0	1341.9	0.00	6.0	0.0	9181.0		X
010-0027	I-74(WB)	SALINE DRAIN DITCH	165.5	42.2	163.2	39.0	6363.6	26.6	13.5	39.0	13.1	42.2	2158.6	3.60	163.2	13.5	1369.2	0.75	13.1	39.3	9931.0	X	
010-0028	I-74(EB)	SALINE DRAIN DITCH	165.5	42.2	163.2	39.0	6363.6	26.6	13.5	39.0	13.1	42.2	2158.6	3.60	163.2	13.5	1369.2	0.75	13.1	39.3	9931.0	X	
010-0029	I-74(WB)	SALT FORK RIVER	164.5	42.2	162.2	39.0	6324.6	20.0	10.0	39.0	10.0	42.2	1624.0	3.60	162.2	10.0	1311.6	0.75	10.0	30.0	9291.0	X	
010-0030	I-74(EB)	SALT FORK RIVER	164.5	42.2	162.2	39.0	6324.6	20.0	10.0	39.0	10.0	42.2	1624.0	3.60	162.2	10.0	1311.6	0.75	10.0	30.0	9291.0	X	
010-0031	I-74(WB)	OVER UPRR	171.3	42.2	169.0	39.0	6589.8	24.4	12.0	39.0	12.4	42.2	1982.6	3.60	169.0	12.0	1389.4	0.75	12.4	37.2	9999.0	X	
010-0032	I-74(EB)	OVER UPRR	171.3	42.2	169.0	39.0	6589.8	24.4	12.0	39.0	12.4	42.2	1982.6	3.60	169.0	12.0	1389.4	0.75	12.4	37.2	9999.0	X	
TOTALS (SQ FT)																				299,943	103,370	196,573	

•FY2017 BRIDGE DECK SEALING
••VARIOUS COUNTIES

FILE NAME =	USER NAME = brandenburgtj	DESIGNED - TJB	REVISED -	STATE OF ILLINOIS DEPARTMENT OF TRANSPORTATION	CHAMPAIGN COUNTY STRUCTURES ACTUAL MEASUREMENTS	F.A.I. R.T.E.	SECTION	COUNTY	TOTAL SHEETS	SHEET NO.
p:\11\084EBIDINTEG.illinois.gov\PIDOT\Documents\DOT Offices\District 5\Projects\0579\Drawings\Hydro\TUB\0570B94-sht-schedu	DESIGNED -	REVISED -	74			•	••	19	12	
PLOT SCALE = 40.0000' / in.	CHECKED -	REVISED -	CONTRACT NO. 70B94							
PLOT DATE = 11/26/2016	DATE - 10/20/2016	REVISED -	SCALE: NONE			SHEET NO. 1 OF 1 SHEETS	STA. TO STA.	ILLINOIS FED. AID PROJECT		

CHAMPAIGN COUNTY STRUCTURES SCHEDULE OF QUANTITIES

			TRAFFIC CONTROL & PROTECTION						PROSECUTION & PROGRESS				
SN	ROUTE CARRIED	FEATURE CROSSED	STANDARD 701400	STANDARD 701406	STANDARD 701411 (DL ONLY)	STANDARD 701446	LOCATION	SUMMARY	CHANGEABLE MESSAGE SIGN (Calendar Days)	WORKING DAYS	PROSECUTION	RURAL	URBAN
010-0016	I-74(EB)	SANGAMON RIVER	2	2			C3	4-701400; 4-701406; 1-701411;	8-CMS (2 EB; 2 WB; 2 NB; 2 SB); 7 CALENDAR DAYS PRIOR; 14 DAYS EACH DIRECTION; TOTAL 56 CALENDAR DAYS; 15 STRUCTURES ON FAI 74	2	1 DAY DRIVING LANES WB & EB	X	
010-0017	I-74(WB)	SANGAMON RIVER	2	2	1			2-WD'S; 2 SN's			1 DAY PASSING LANES WB & EB	X	
010-0020	I-74	MARKET ST(FAU 7169)	1		2	1	C2	NIGHTTIME CLOSURE		4			X
010-0021	I-74	IC RR & TR 158	1			INCL.		4-701400 SET-UPS (2 DL; 2 PL)			1 DAY DRIVING/AUXILLARY WB LANES;		X
010-0022	I-74(WB)	W FORK SALINE BRANCH	INCL.		2	1		4-701446 SET-UPS (2 DL; 2 PL)			1 DAY DRIVING/AUXILLARY EB LANES;		X
010-0023	I-74(EB)	W FORK SALINE BRANCH	INCL.		2	1		10-701411 SET-UPS (5 EB; 5 WB)			1 DAY PASSING LANES WB;		X
010-0024	I-74	US 45(FAP 800)	INCL.		4	1		4-WORKING DAYS (2 DL; 2 PL)			1 DAY PASSING LANES EB		X
010-0025	I-74(EB)	SALINE BRANCH	1	INCL.				7 SN's					X
010-0026	I-74(WB)	SALINE BRANCH	1	INCL.							X		
010-0027	I-74(WB)	SALINE DRAIN DITCH	1	1			C1			2		X	
010-0028	I-74(EB)	SALINE DRAIN DITCH	1	1				4-701400 SET-UPS (2 DL; 2 PL)				X	
010-0029	I-74(WB)	SALT FORK RIVER	INCL.	INCL.	1			4-701406 SET-UPS (2 DL; 2 PL)			1 DAY DRIVING LANES WB & EB;	X	
010-0030	I-74(EB)	SALT FORK RIVER	INCL.	INCL.	1			4-701411 SET-UPS (2 EB; 2 WB)	1 DAY PASSING LANES WB & EB		X		
010-0031	I-74(WB)	OVER UPRR	1	1	1			2-WORKING DAYS (1 DL; 1 PL)			X		
010-0032	I-74(EB)	OVER UPRR	1	1	1			6 SN's			X		
TC&P SET-UPS and CMS CALENDAR DAYS			12	8	15	4			56	8			
WORKING DAYS PER STANDARD			8	4	8	4							

•FY2017 BRIDGE DECK SEALING
 **VARIOUS COUNTIES

DEWITT & PIATT COUNTY STRUCTURES SCHEDULE OF QUANTITIES

ACTUAL MEASUREMENTS

SN	ROUTE CARRIED	FEATURE CROSSED	SIMS INFORMATION		DECK			APPROACH SLABS					PARAPETS (HUB, FACE & TOP)				TYPE B CURB (FACE & TOP)			TOTAL (SQ FT)	RURAL	URBAN	
			LENGTH	WIDTH	LENGTH (E-E)	WIDTH (F-F)	AREA (SQ FT)	LENGTH (FT)	DIMENSIONS INSIDE PARAPET / CURB		DIMENSIONS BEYOND PARAPET / CURB		AREA (SQ FT)	HEIGHT	LENGTH (FT)		AREA (SQ FT)	HEIGHT	LENGTH				AREA (SQ FT)
									LENGTH	WIDTH	LENGTH	WIDTH			3.6 FT TYPICAL	ALONG DECK							
020-0026	I-74(EB)	US 150 & CNRR	366.7	42.5	364.4	39.0	14210.4	40.0	13.5	24.0	26.5	24.0	1920.0	3.20	364.4	13.5	2504.8	0.00	26.5	0.0	18636.0	X	
020-0027	I-74(WB)	US 150 & CNRR	366.7	42.5	364.4	39.0	14210.4	40.0	13.5	24.0	26.5	24.0	1920.0	3.20	364.4	13.5	2504.8	0.00	26.5	0.0	18636.0	X	
020-0028	I-74(EB)	FAS 2495	109.0	42.0	106.7	38.5	4106.8	40.0	10.0	24.0	30.0	24.0	1920.0	3.20	106.7	10.0	810.7	0.00	30.0	0.0	6838.0		X
020-0029	I-74(WB)	FAS 2495	109.0	42.0	106.7	38.5	4106.8	40.0	10.0	24.0	30.0	24.0	1920.0	3.20	106.7	10.0	810.7	0.00	30.0	0.0	6838.0		X
020-0030	I-74(EB)	ICRR	150.0	42.0	147.7	38.5	5685.3	40.0	11.5	24.0	28.5	24.0	1920.0	3.20	147.7	11.5	1092.3	0.00	28.5	0.0	8698.0		X
020-0031	I-74(WB)	ICRR	150.0	42.0	147.7	38.5	5685.3	40.0	11.5	24.0	28.5	24.0	1920.0	3.20	147.7	11.5	1092.3	0.00	28.5	0.0	8698.0		X
020-0032	I-74(EB)	TRIB TO SALT CREEK	162.6	42.0	160.3	38.5	6170.4	40.0	13.5	24.0	26.5	24.0	1920.0	3.20	160.3	13.5	1198.5	0.00	26.5	0.0	9289.0		X
020-0033	I-74(WB)	TRIB TO SALT CREEK	162.6	42.0	160.3	38.5	6170.4	40.0	13.5	24.0	26.5	24.0	1920.0	3.20	160.3	13.5	1198.5	0.00	26.5	0.0	9289.0		X
TOTALS (SQ FT)																				86,922	37,272	49,650	

074-0037	I-74(EB)	S BRANCH SALT CREEK	117.3	42.0	115.0	38.5	4426.3	40.0	10.0	24.0	30.0	24.0	1920.0	3.20	115.0	10.0	863.8	0.00	30.0	0.0	7211.0	X	
074-0038	I-74(WB)	S BRANCH SALT CREEK	117.3	42.0	115.0	38.5	4426.3	40.0	10.0	24.0	30.0	24.0	1920.0	3.20	115.0	10.0	863.8	0.00	30.0	0.0	7211.0	X	
074-0042	I-74(EB)	NSRR & MADDEN CREEK	236.5	42.0	234.2	38.5	9015.5	40.0	11.5	24.0	28.5	24.0	1920.0	3.20	234.2	11.5	1645.9	0.00	28.5	0.0	12582.0	X	
074-0043	I-74(WB)	NSRR & MADDEN CREEK	236.5	42.0	234.2	38.5	9015.5	40.0	11.5	24.0	28.5	24.0	1920.0	3.20	234.2	11.5	1645.9	0.00	28.5	0.0	12582.0	X	
TOTALS (SQ FT)																				39,586	39,586	0	

•FY2017 BRIDGE DECK SEALING
 **VARIOUS COUNTIES

DEWITT & PIATT COUNTY STRUCTURES SCHEDULE OF QUANTITIES

			TRAFFIC CONTROL & PROTECTION				PROSECUTION & PROGRESS							
SN	ROUTE CARRIED	FEATURE CROSSED	STANDARD 701400	STANDARD 701406	STANDARD 701411 (DL ONLY)	STANDARD 701446	LOCATION	SUMMARY	CHANGEABLE MESSAGE SIGN (Calendar Days)	ESTIMATED WORKING DAYS	PROSECUTION	RURAL	URBAN	
020-0026	I-74(EB)	US 150 & CNRR	2	2			D1		4-CMS (2 EB; 2 WB); 7 CALENDAR DAYS PRIOR; 14 DAYS EACH DIRECTION; TOTAL 28 CALENDAR DAYS; 12 STRUCTURES ON FAI 74	4		X		
020-0027	I-74(WB)	US 150 & CNRR	INCL.	INCL.								X		
020-0028	I-74(EB)	FAS 2495	INCL.	INCL.				4-701400 SET-UPS (2 DL; 2 PL)				1 DAY DRIVING LANES EB		X
020-0029	I-74(WB)	FAS 2495	INCL.	INCL.				4-701406 SET-UPS (2 DL; 2 PL)				1 DAY PASSING LANES EB		X
020-0030	I-74(EB)	ICRR	INCL.	INCL.				2-701411 SET-UPS (2 WB)				1 DAY DRIVING LANES WB		X
020-0031	I-74(WB)	ICRR	INCL.	INCL.	1			4-WD'S; 8 SN's				1 DAY PASSING LANES WB		X
020-0032	I-74(EB)	TRIB TO SALT CREEK	INCL.	INCL.										X
020-0033	I-74(WB)	TRIB TO SALT CREEK	2	2	1									X
074-0037	I-74(EB)	S BRANCH SALT CREEK	2	2			P2	4-701400; 4-701406		1	1	1/2 DAY DRIVING LANES WB & EB		X
074-0038	I-74(WB)	S BRANCH SALT CREEK	2	2				1-WD'S; 2 SN's					1/2 DAY PASSING LANES WB & EB	
074-0042	I-74(EB)	NSRR & MADDEN CREEK	2	2			P1	4-701400; 4-701406; 1-701411	1		1	1/2 DAY DRIVING LANES WB & EB	X	
074-0043	I-74(WB)	NSRR & MADDEN CREEK	2	2	1			1-WD'S; 2 SN's					1/2 DAY PASSING LANES WB & EB	X
TC&P SET-UPS and CMS CALENDAR DAYS			12	12	3	0			28		6			
WORKING DAYS PER STANDARD			6	6	2	0								

•FY2017 BRIDGE DECK SEALING
 ••VARIOUS COUNTIES

MCLEAN COUNTY STRUCTURES SCHEDULE OF QUANTITIES

ACTUAL MEASUREMENTS

SN	ROUTE CARRIED	FEATURE CROSSED	SIMS INFORMATION		DECK			APPROACH SLABS					PARAPETS (HUB, FACE & TOP)			TYPE B CURB (FACE & TOP)			TOTAL (SQ FT)	RURAL	URBAN		
			LENGTH	WIDTH	LENGTH (E-E)	WIDTH (F-F)	AREA (SQ FT)	LENGTH (FT)	DIMENSIONS INSIDE PARAPET / CURB		DIMENSIONS BEYOND PARAPET / CURB		AREA (SQ FT)	HEIGHT	LENGTH (FT)		AREA (SQ FT)	HEIGHT				LENGTH	AREA (SQ FT)
									LENGTH	WIDTH	LENGTH	WIDTH			3.6 FT TYPICAL	ALONG DECK							
057-0006	I-55/I-74	OVER UPRR	237.0	70.8	234.7	67.6	15852.0	30.0	30.0	67.6	0.0	70.8	4053.0	3.60	234.7	21.0	1992.0	0.75	18.0	27.0	21924.0		X
057-0007	I-55/I-74 NB	ICG RR	226.0	69.0	223.7	65.8	14717.5	30.0	30.0	65.8	0.0	69.0	3948.0	3.60	223.7	21.0	1912.8	0.75	18.0	27.0	20606.0		X
057-0008	I-55/I-74 NB	SIX PTS RD/FAU 6369	130.0	65.6	127.7	62.4	7966.6	30.0	30.0	62.4	0.0	65.6	3744.0	3.60	127.7	21.0	1221.6	0.75	18.0	27.0	12960.0		X
057-0009	I-55/I-74 SB	SIX PTS.RD/FAU 6369	130.0	65.6	127.7	62.4	7966.6	30.0	30.0	62.4	0.0	65.6	3744.0	3.60	127.7	21.0	1221.6	0.75	18.0	27.0	12960.0		X
057-0010	I-55/I-74 SB	SUGAR CREEK	283.8	65.6	281.5	62.4	17563.7	30.0	30.0	62.4	0.0	65.6	3744.0	3.60	281.5	21.0	2329.0	0.75	18.0	27.0	23664.0		X
057-0011	I-55/I-74 NB	SUGAR CREEK	283.8	65.6	281.5	62.4	17563.7	30.0	30.0	62.4	0.0	65.6	3744.0	3.60	281.5	21.0	2329.0	0.75	18.0	27.0	23664.0		X
057-0016	I-55/I-74 NB	WASH.ST/FAU 6360	183.3	72.3	181.0	69.1	12505.0	30.0	30.0	69.1	0.0	72.3	4146.0	3.60	181.0	21.0	1605.4	0.75	18.0	27.0	18284.0		X
057-0017	I-55/I-74 SB	WASH.ST/FAU 6360	183.3	72.3	181.0	69.1	12505.0	30.0	30.0	69.1	0.0	72.3	4146.0	3.60	181.0	21.0	1605.4	0.75	18.0	27.0	18284.0		X
057-0018	I-55/I-74 NB	OLD 150 & N&W RR	448.0	65.1	445.7	61.9	27587.0	30.0	30.0	61.9	0.0	65.1	3714.0	3.60	445.7	21.0	3511.2	0.75	18.0	27.0	34840.0		X
057-0019	I-55/I-74 SB	OLD 150 & N&W RR	448.0	65.1	445.7	61.9	27587.0	30.0	30.0	61.9	0.0	65.1	3714.0	3.60	445.7	21.0	3511.2	0.75	18.0	27.0	34840.0		X
057-0043	I-74	ROCK CREEK	85.0	44.3	82.7	39.0	3224.1	0.0	0.0	39.0	0.0	44.3	0.0	3.45	82.7	0.0	570.4	0.00	0.0	0.0	3795.0	X	
057-0044	I-74	ROCK CREEK	85.0	44.3	82.7	39.0	3224.1	0.0	0.0	39.0	0.0	44.3	0.0	3.45	82.7	0.0	570.4	0.00	0.0	0.0	3795.0	X	
057-0045	I-74/WB	N. & W. RR	233.0	42.6	230.7	39.4	9088.4	30.0	12.0	39.4	18.0	42.6	2479.2	3.60	230.7	12.0	1833.6	0.75	6.0	18.0	13420.0	X	
057-0046	I-74/EB	N. & W. RR	233.0	42.6	230.7	39.4	9088.4	30.0	12.0	39.4	18.0	42.6	2479.2	3.60	230.7	12.0	1833.6	0.75	6.0	18.0	13420.0	X	
057-0047	I-74 EB	US 51/S.OF BLOOMNGTN	181.0	53.7	178.7	50.5	9022.8	0.0	0.0	50.5	0.0	53.7	0.0	3.60	178.7	15.0	1502.4	0.00	0.0	0.0	10526.0		X
057-0048	I-74 WB	US 51/S.OF BLOOMNGTN	181.0	53.7	178.7	50.5	9022.8	0.0	0.0	50.5	0.0	53.7	0.0	3.60	178.7	15.0	1502.4	0.00	0.0	0.0	10526.0		X
057-0120	I-74 EB	LITTLE KICKAPOO CR	163.9	43.2	161.6	40.0	6464.0	30.0	0.0	40.0	30.0	40.8	2448.0	3.60	161.6	0.0	1163.5	0.75	30.0	90.0	10166.0		X
057-0121	I-74 WB	LITTLE KICKAPOO CR	163.9	43.2	161.6	40.0	6464.0	30.0	0.0	40.0	30.0	40.8	2448.0	3.60	161.6	0.0	1163.5	0.75	30.0	90.0	10166.0		X
057-0125	I-74 EB	KICKAPOO CR	191.5	43.2	189.2	40.0	7566.8	30.0	12.0	40.0	18.0	41.0	2436.0	3.60	189.2	12.0	1534.8	0.75	18.0	54.0	11592.0		X
057-0126	I-74 WB	LITTLE KICKAPOO CR	191.5	43.2	189.2	40.0	7566.8	30.0	12.0	40.0	18.0	41.0	2436.0	3.60	189.2	12.0	1534.8	0.75	18.0	54.0	11592.0		X
057-0128	I-74 EB	LITTLE KICKAPOO CR	109.5	42.0	109.5	38.8	4248.6	0.0	0.0	38.8	0.0	42.0	0.0	3.60	109.5	15.0	1004.4	0.00	0.0	0.0	5253.0		X
057-0129	I-74 WB	LITTLE KICKAPOO CR	109.5	43.2	109.5	40.0	4380.0	30.0	0.0	40.0	30.0	41.0	2460.0	3.60	109.5	0.0	788.4	0.75	30.0	90.0	7719.0		X
057-0133	I-74 EB	N FORK SALT CREEK	139.0	43.2	136.7	40.0	5466.8	30.0	0.0	40.0	30.0	43.2	2592.0	3.60	136.7	0.0	984.0	0.75	30.0	90.0	9133.0	X	
057-0134	I-74 WB	N FORK SALT CREEK	139.0	43.2	136.7	40.0	5466.8	30.0	0.0	40.0	30.0	43.2	2592.0	3.60	136.7	0.0	984.0	0.75	30.0	90.0	9133.0	X	
057-0233	I-55/I-74 NB	COUNTY RD SUDDITH RD	156.0	65.1	153.7	61.9	9512.2	30.0	15.0	61.9	15.0	65.1	3810.0	3.60	153.7	15.0	1322.4	0.75	15.0	45.0	14690.0		X
057-0234	I-55/I-74 SB	COUNTY RD SUDDITH RD	156.0	65.1	153.7	61.9	9512.2	30.0	15.0	61.9	15.0	65.1	3810.0	3.60	153.7	15.0	1322.4	0.75	15.0	45.0	14690.0		X
057-0249	I-55 NBL	I-55 BUSN LOOP	200.0	46.7	200.0	43.5	8700.0	30.0	0.0	44.8	30.0	44.8	2688.0	3.60	200.0	0.0	1440.0	0.75	30.0	90.0	12918.0		X
057-0250	I-55 NBL	EB I-74/SW BLOOM.	295.0	45.2	292.7	42.0	12292.1	30.0	15.0	42.0	15.0	43.8	2574.0	3.60	292.7	15.0	2323.2	0.75	15.0	45.0	17235.0		X
057-0251	I-55 BUSN LOOP NB	I-74/SW BLOOMINGTON	183.0	62.2	183.0	59.0	10797.0	30.0	0.0	59.0	30.0	61.2	3672.0	3.60	183.0	0.0	1317.6	0.75	30.0	90.0	15877.0		X
057-0252	I-55 BUSN LOOP SB	I-74/SW BLOOMINGTON	183.0	53.3	183.0	50.1	9168.3	30.0	0.0	50.1	30.0	52.3	3138.0	3.60	183.0	0.0	1317.6	0.75	30.0	90.0	13714.0		X
057-0253	I-55 BUSN LOOP NB	I-74/SW BLOOMINGTON	204.5	50.9	204.5	47.7	9754.7	30.0	0.0	47.7	30.0	49.9	2994.0	3.60	204.5	0.0	1472.4	0.75	30.0	90.0	14312.0		X
057-0254	I-55 BUSN LOOP SB	I-74/SW BLOOMINGTON	204.5	55.6	204.5	52.4	10715.8	30.0	0.0	52.4	30.0	54.6	3276.0	3.60	204.5	0.0	1472.4	0.75	30.0	90.0	15555.0		X

TOTALS (SQ FT) 471,253 52,696 418,557

•FY2017 BRIDGE DECK SEALING
••VARIOUS COUNTIES

FILE NAME =	USER NAME = brandenburgtj	DESIGNED - TJB	REVISED -	STATE OF ILLINOIS DEPARTMENT OF TRANSPORTATION	MCLEAN COUNTY STRUCTURES ACTUAL MEASUREMENTS	F.A.I. R.T.E.	SECTION	COUNTY	TOTAL SHEETS	SHEET NO.	
p:\11\084EBID\INTEG.illinois.gov\PIDOT\Documents\IDOT Offices\District 5\Projects\0579\DRAWING\Hydro\TUB\0570894-sht-schedu	PLotted	DATE - 10/21/2016	REVISED -			74	*	**	19	16	
PLLOT SCALE = 40.0000' / in.	CHECKED -	DATE - 10/21/2016	REVISED -			CONTRACT NO. 70B94					
PLLOT DATE = 11/26/2016	CHECKED -	DATE - 10/21/2016	REVISED -			SCALE: NONE	SHEET NO. 1 OF 1 SHEETS	STA.	TO STA.	ILLINOIS FED. AID PROJECT	

MCLEAN COUNTY STRUCTURES SCHEDULE OF QUANTITIES																
			TRAFFIC CONTROL & PROTECTION					PROSECUTION & PROGRESS			RURAL	URBAN				
SN	ROUTE CARRIED	FEATURE CROSSED	STANDARD 701400	STANDARD 701406	STANDARD 701411 (DL ONLY)	STANDARD 701446	LOCATION	SUMMARY	CHANGEABLE MESSAGE SIGN (Calendar Days)	WORKING DAYS	PROSECUTION					
057-0006	I-55/I-74	OVER UPRR	2			2	M4		8-CMS (2 EB; 2 WB; 2 NB; 2 SB); 7 CALENDAR DAYS PRIOR; 14 DAYS EACH DIRECTION; TOTAL 56 CALENDAR DAYS; 32 STRUCTURES ON FAI 74 & FAI 55	8			X			
057-0007	I-55/I-74 NB	ICG RR	2			2		NIGHTTIME CLOSURE								X
057-0008	I-55/I-74 NB	SIX PTS RD/FAU 6369	INCL.			INCL.		8-701400 SET-UPS (2 DL; 2 PL);						2 DAY DRIVING/AUXILLARY NB LANES;		X
057-0009	I-55/I-74 SB	SIX PTS.RD/FAU 6369	INCL.			INCL.		8-701446 SET-UPS (4 DL; 4 PL);						2 DAY DRIVING/AUXILLARY SB LANES;		X
057-0010	I-55/I-74 SB	SUGAR CREEK	INCL.			INCL.		6-701411 SET-UPS (3 NB; 3 SB)						2 DAY PASSING LANES NB;		X
057-0011	I-55/I-74 NB	SUGAR CREEK	INCL.			INCL.		8-WORKING DAYS (4DL; 4 PL)						2 DAY PASSING LANES SB		X
057-0016	I-55/I-74 NB	WASH.ST/FAU 6360	INCL.		3	INCL.		12 SN's								X
057-0017	I-55/I-74 SB	WASH.ST/FAU 6360	INCL.		3	INCL.										X
057-0018	I-55/I-74 NB	OLD 150 & N&W RR	INCL.			INCL.										X
057-0019	I-55/I-74 SB	OLD 150 & N&W RR	INCL.			INCL.										X
057-0043	I-74	ROCK CREEK	2	2			M6	4-701400; 4-701406;		2	1 DAY DRIVING LANES WB & EB	X				
057-0044	I-74	ROCK CREEK	2	2			M6	2-WD'S; 2 SN's		2	1 DAY PASSING LANES WB & EB	X				
057-0045	I-74/WB	N. & W. RR	2	2	1		M5	4-701400; 4-701406; 1-701411;		2	1 DAY DRIVING LANES WB & EB	X				
057-0046	I-74/EB	N. & W. RR	2	2			M5	2-WD'S; 2 SN's		2	1 DAY PASSING LANES WB & EB	X				
057-0047	I-74 EB	US 51/S.OF BLOOMNGTN	1	1	3		M3	4-701400 SET-UPS (2 DL; 2 PL);		2			X			
057-0048	I-74 WB	US 51/S.OF BLOOMNGTN	1	1	2			4-701406 SET-UPS (2 DL; 2 PL);					1 DAY DRIVING LANES WB & EB		X	
057-0120	I-74 EB	LITTLE KICKAPOO CR	1	1				5-701411 SET-UPS (3 EB; 2 WB)					1 DAY PASSING LANES WB & EB		X	
057-0121	I-74 WB	LITTLE KICKAPOO CR	1	1			M2	2-WD'S (1 DL; 1 PL); 4 SN's		2			X			
057-0125	I-74 EB	KICKAPOO CR	1	1	1			4-701400 SET-UPS (2 DL; 2 PL);					1 DAY DRIVING LANES WB & EB		X	
057-0126	I-74 WB	LITTLE KICKAPOO CR	1	1	1			4-701406 SET-UPS (2 DL; 2 PL);					1 DAY PASSING LANES WB & EB		X	
057-0128	I-74 EB	LITTLE KICKAPOO CR	1	1	1			4-701411 SET-UPS (2 EB; 2 WB)							X	
057-0129	I-74 WB	LITTLE KICKAPOO CR	1	1	1		M1	2-WD'S (1 DL; 1 PL); 4 SN's		2			X			
057-0133	I-74 EB	N FORK SALT CREEK	2	2				4-701400; 4-701406;					1 DAY DRIVING LANES WB & EB	X		
057-0134	I-74 WB	N FORK SALT CREEK	2	2			M4	2-WD'S; 2 SN's		2			X			
057-0233	I-55/I-74 NB	COUNTY RD SUDDITH RD	2			2		SEE SN'S 057-0006 THRU 0019				INCLUDED	INCLUDED		X	
057-0249	I-55 NBL	I-55 BUSN LOOP	2	2			M7	2-701400; 2-701406;		1			X			
057-0250	I-55 NBL	EB I-74/SW BLOOM.	INCL.	INCL.				1-WD'S; 2 SN's					1/2 DAY DRIVING LANES NB		X	
057-0251	I-55 BUSN LOOP NB	I-74/SW BLOOMINGTON	1	1	1		M8	4-701400 SET-UPS (2 DL; 2 PL);		2			X			
057-0252	I-55 BUSN LOOP SB	I-74/SW BLOOMINGTON	1	1	1			4-701406 SET-UPS (2 DL; 2 PL);					1 DAY DRIVING LANES NB & SB		X	
057-0253	I-55 BUSN LOOP NB	I-74/SW BLOOMINGTON	1	1				3-701411 SET-UPS (1 NB; 2 SB)					1 DAY PASSING LANES NB & SB		X	
057-0254	I-55 BUSN LOOP SB	I-74/SW BLOOMINGTON	1	1	1			2-WD'S (1 DL; 1 PL); 4 SN's							X	
TC&P SET-UPS and CMS CALENDAR DAYS			34	26	19	8				56	21					
WORKING DAYS PER STANDARD			21	13	13	8										

•FY2017 BRIDGE DECK SEALING
••VARIOUS COUNTIES

VERMILION COUNTY STRUCTURES SCHEDULE OF QUANTITIES

ACTUAL MEASUREMENTS

SN	ROUTE CARRIED	FEATURE CROSSED	SIMS INFORMATION		DECK			APPROACH SLABS					PARAPETS (HUB, FACE & TOP)				TYPE B CURB (FACE & TOP)			TOTAL (SQ FT)	RURAL	URBAN	
			LENGTH	WIDTH	LENGTH (E-E)	WIDTH (F-F)	AREA (SQ FT)	LENGTH (FT)	DIMENSIONS INSIDE PARAPET / CURB		DIMENSIONS BEYOND PARAPET / CURB		AREA (SQ FT)	HEIGHT	LENGTH (FT)		AREA (SQ FT)	HEIGHT	LENGTH				AREA (SQ FT)
									LENGTH	WIDTH	LENGTH	WIDTH			3.6 FT TYPICAL	ALONG DECK							
092-0003	I-74 (EB)	MIDDLEFORK VERM RIV	364.5	36.7	362.2	33.5	12132.7	30.0	12.0	33.5	18.0	33.5	2010.0	3.60	362.2	12.0	2780.4	0.75	18.0	6.0	16930.0	X	
092-0004	I-74 (WB)	MIDDLEFORK VERM RIV	364.5	36.7	362.2	33.5	12132.7	30.0	12.0	33.5	18.0	33.5	2010.0	3.60	362.2	12.0	2780.4	0.75	18.0	6.0	16930.0	X	
092-0006	I-74 (EB)	SALT FORK VERM RIVER	750.2	36.0	750.2	32.8	24606.6	0.0	0.0	32.8	0.0	36.0	0.0	3.60	750.2	12.0	5574.2	0.00	0.0	0.0	30181.0		X
092-0007	I-74 (WB)	SALT FORK VERM RIVER	750.2	36.0	750.2	32.8	24606.6	0.0	0.0	32.8	0.0	36.0	0.0	3.60	750.2	12.0	5574.2	0.00	0.0	0.0	30181.0		X
092-0008	I-74 (EB)	N&S & FAU 7026(L ST)	277.4	43.2	275.1	40.0	11002.8	20.0	12.0	40.0	8.0	40.0	1600.0	3.60	275.1	12.0	2153.3	0.75	8.0	2.7	14759.0		X
092-0009	I-74 (WB)	N&S & FAU 7026(L ST)	317.5	51.2	315.2	48.0	15128.2	20.0	12.0	55.0	8.0	55.0	2200.0	3.60	315.2	12.0	2442.0	0.75	8.0	2.7	19773.0		X
092-0010	I-74 (EB)	"G" ST(FAU 7026)	117.6	44.0	115.3	40.8	4703.0	30.0	12.0	40.8	18.0	40.8	2448.0	3.60	115.3	12.0	1002.7	0.75	18.0	6.0	8160.0		X
092-0011	I-74 (WB)	"G" ST(FAU 7026)	117.6	44.0	115.3	40.8	4703.0	30.0	12.0	40.8	18.0	40.8	2448.0	3.60	115.3	12.0	1002.7	0.75	18.0	6.0	8160.0		X
092-0012	I-74 (WB)	CNRL & FR1563 & 1611	237.8	44.7	235.5	41.5	9772.0	22.2	12.0	41.5	10.2	41.5	1842.6	3.60	235.5	12.0	1868.2	0.00	10.2	0.0	13483.0		X
092-0013	I-74 (EB)	CNRL & FR1563 & 1611	237.8	55.0	235.5	53.5	12597.6	24.4	12.0	53.5	12.4	53.5	2610.8	3.60	235.5	12.0	1868.2	0.00	12.4	0.0	17077.0		X
092-0014	I-74 (WB)	VERMILION RIVER	583.8	43.2	581.5	40.0	23258.8	56.5	12.0	40.0	44.5	40.0	4520.0	3.60	581.5	12.0	4359.4	0.00	44.5	0.0	32139.0		X
092-0018	I-74 (EB)	STONY CREEK	257.0	42.2	254.7	39.0	9932.1	50.0	15.0	39.0	35.0	40.0	3970.0	3.60	254.7	15.0	2049.6	0.00	35.0	0.0	15952.0		X
092-0019	I-74 (WB)	STONY CREEK	257.0	42.2	254.7	39.0	9932.1	50.0	15.0	39.0	35.0	40.0	3970.0	3.60	254.7	15.0	2049.6	0.00	35.0	0.0	15952.0		X
092-0023	I-74(WB)&RAMP	CSX RR & MS 9010	271.0	63.8	268.7	60.6	16281.4	50.0	15.0	60.6	35.0	60.6	6060.0	3.60	268.7	15.0	2150.4	0.75	35.0	11.7	24504.0		X
092-0024	I-74(EB)	CSX RR & MS 9010	271.0	43.2	268.7	40.0	10746.8	50.0	15.0	40.0	35.0	40.0	4000.0	3.60	268.7	15.0	2150.4	0.75	35.0	11.7	16909.0		X
092-0025	I-74 (WB)	RAMP 22.31	157.6	43.7	155.3	40.5	6288.4	50.0	15.0	40.5	35.0	40.5	4050.0	3.60	155.3	15.0	1333.9	0.75	35.0	11.7	11685.0		X
092-0026	I-74 & RAMP	RAMPS 21.94/22.31	157.6	51.8	155.3	48.6	7546.1	50.0	15.0	48.6	35.0	48.6	4860.0	3.60	155.3	15.0	1333.9	0.75	35.0	11.7	13752.0		X

TOTALS (SQ FT) 306,527 33,860 272,667

*FY2017 BRIDGE DECK SEALING
**VARIOUS COUNTIES

FILE NAME =	USER NAME = brandenburgtj	DESIGNED - TJB	REVISED -	STATE OF ILLINOIS DEPARTMENT OF TRANSPORTATION	VERMILION COUNTY STRUCTURES ACTUAL MEASUREMENTS			F.A.I. RTE.	SECTION	COUNTY	TOTAL SHEETS	SHEET NO.
p:\11\084EBIDINTEG.illinois.gov\PIDOT\Documents\DOT Offices\District 5\Projects\0579\Drawings\Hydro\TJB\0570B94-sht-schedule		CHECKED -	REVISED -		74	.	**	19	18			
	PLOT SCALE = 40.0000' / in.	CHECKED -	REVISED -		SCALE: NONE SHEET NO. 1 OF 1 SHEETS STA. TO STA.			CONTRACT NO. 70B94				
	PLOT DATE = 11/26/2016	DATE - 10/21/2016	REVISED -		ILLINOIS FED. AID PROJECT							

VERMILION COUNTY STRUCTURES SCHEDULE OF QUANTITIES

SN	ROUTE CARRIED	FEATURE CROSSED	TRAFFIC CONTROL & PROTECTION				LOCATION	SUMMARY	CHANGEABLE MESSAGE SIGN (Calendar Days)	PROSECUTION & PROGRESS		RURAL	URBAN			
			STANDARD 701400	STANDARD 701406	STANDARD 701411 (DL ONLY)	STANDARD 701446				WORKING DAYS	PROSECUTION					
092-0003	I-74 (EB)	MIDDLEFORK VERM RIV	1	1	1		V4	4-701400 SET-UPS (2 DL; 2 PL)	4-CMS (2 EB; 2-WB); 7 CALENDAR DAYS PRIOR; 14 DAYS EACH DIRECTION; TOTAL 28 CALENDAR DAYS; 17 STRUCTURES ON FAI 74	2		X				
092-0004	I-74 (WB)	MIDDLEFORK VERM RIV	1	1	1			4-701406 SET-UPS (2 DL; 2 PL)			1 DAY DRIVING LANES WB & EB;	X				
092-0006	I-74 (EB)	SALT FORK VERM RIVER	1	1	1			4-701411 SET-UPS (2 EB; 2 WB)			1 DAY PASSING LANES WB & EB		X			
092-0007	I-74 (WB)	SALT FORK VERM RIVER	1	1	1			2-WD'S (1 DL; 1 PL); 4 SN's					X			
092-0008	I-74 (EB)	N&S & FAU 7026(L ST)	1	1		V3		4-CMS (2 EB; 2-WB); 7 CALENDAR DAYS PRIOR; 14 DAYS EACH DIRECTION; TOTAL 28 CALENDAR DAYS; 17 STRUCTURES ON FAI 74		2			X			
092-0009	I-74 (WB)	N&S & FAU 7026(L ST)	1	1							4-701400 SET-UPS (2 DL; 2 PL)			X		
092-0010	I-74 (EB)	"G" ST(FAU 7026)	INCL.	INCL.	1						4-701406 SET-UPS (2 DL; 2 PL)	1 DAY DRIVING LANES WB & EB;		X		
092-0011	I-74 (WB)	"G" ST(FAU 7026)	INCL.	INCL.	1						4-701411 SET-UPS (2 EB; 2 WB)	1 DAY PASSING LANES WB & EB		X		
092-0012	I-74 (WB)	CNRL & FR1563 & 1611	1	1	1						2-WD'S (1 DL; 1 PL); 6 SN's			X		
092-0013	I-74 (EB)	CNRL & FR1563 & 1611	1	1	1							X				
092-0014	I-74 (WB)	VERMILION RIVER	1	1	1	V2	4-701400 SET-UPS (2 DL; 2 PL)			4-CMS (2 EB; 2-WB); 7 CALENDAR DAYS PRIOR; 14 DAYS EACH DIRECTION; TOTAL 28 CALENDAR DAYS; 17 STRUCTURES ON FAI 74	2	1 DAY DRIVING LANES WB & EB;		X		
092-0018	I-74 (EB)	STONY CREEK	1	1	1							4-701411 SET-UPS (2 EB; 2 WB)	1 DAY PASSING LANES WB & EB		X	
092-0019	I-74 (WB)	STONY CREEK	1	1	1							2-WD'S (1 DL; 1 PL); 3 SN's			X	
092-0023	I-74(WB)&RAMP	CSX RR & MS 9010	1	1	1	V1	4-701400 SET-UPS (2 DL; 2 PL)				4-CMS (2 EB; 2-WB); 7 CALENDAR DAYS PRIOR; 14 DAYS EACH DIRECTION; TOTAL 28 CALENDAR DAYS; 17 STRUCTURES ON FAI 74	2			X	
092-0024	I-74(EB)	CSX RR & MS 9010	1	1									4-701406 SET-UPS (2 DL; 2 PL)	1 DAY DRIVING LANES WB & EB;		X
092-0025	I-74 (WB)	RAMP 22.31	1	1	1								3-701411 SET-UPS (1 EB; 2 WB)	1 DAY PASSING LANES WB & EB		X
092-0026	I-74 & RAMP	RAMPS 21.94/22.31	1	1	1				2-WD'S (1 DL; 1 PL); 4 SN's						X	
TC&P SET-UPS and CMS CALENDAR DAYS			15	15	14	0	28		8							
WORKING DAYS PER STANDARD			8	8	8	0										

•FY2017 BRIDGE DECK SEALING
••VARIOUS COUNTIES