

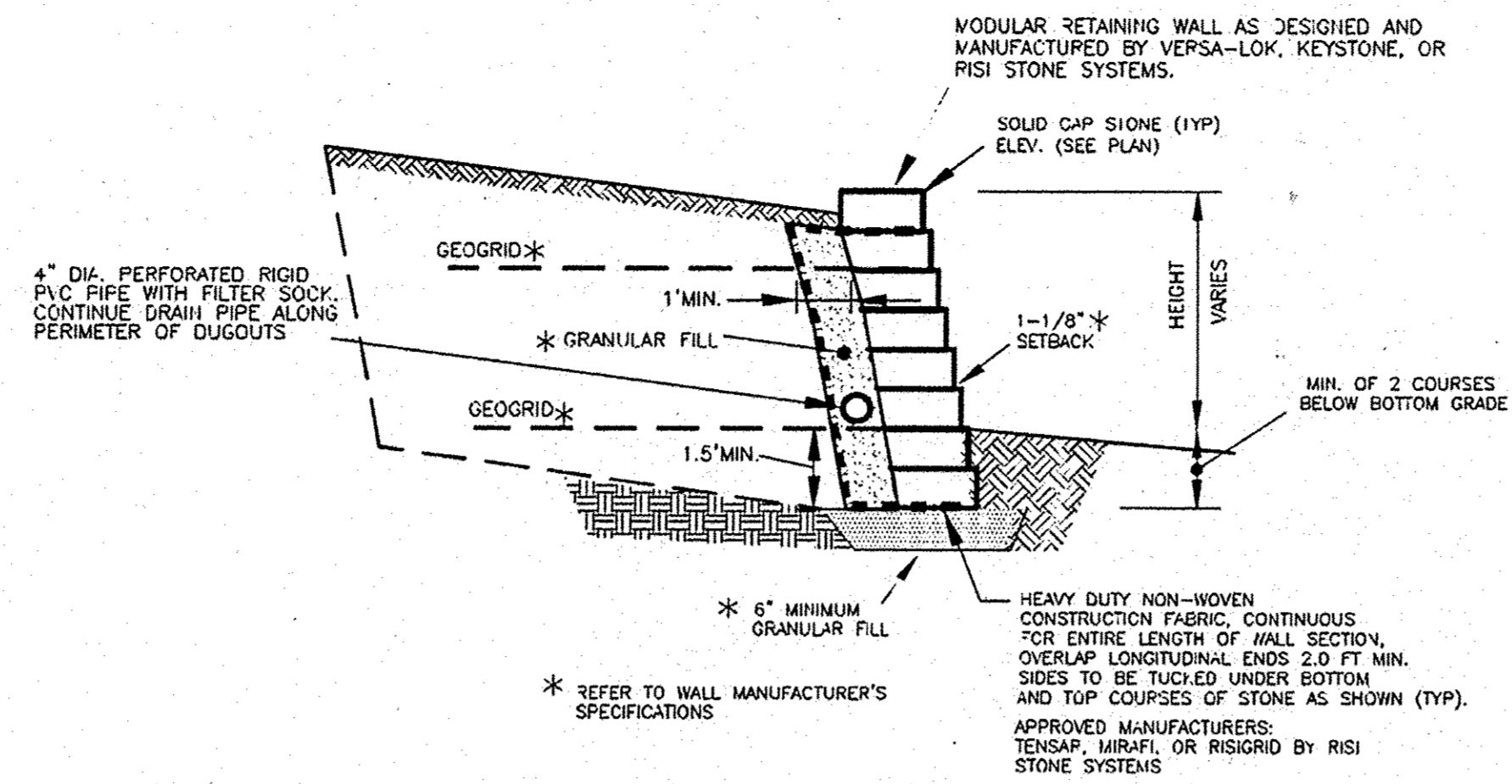
SUMMARY OF QUANTITIES

S.I.	CODE NO.	ITEM	UNIT	TOTAL QUANTITY	CONSTRUCTION TYPE CODE
					CMAQ FUND
					80% FED 20% STATE TRAIL 0028 URBAN
	20100110	TREE REMOVAL (6 TO 15 UNITS DIAMETER)	UNIT	132	
	20100210	TREE REMOVAL (OVER 15 UNITS DIAMETER)	UNIT	53	
	20100500	TREE REMOVAL, ACRES	ACRE	0.04	
	20101000	TEMPORARY FENCE	FOOT	58	
	20200100	EARTH EXCAVATION	CU YD	1089	
	20600200	GRANULAR EMBANKMENT, SPECIAL	CU YD	552	
	20800150	TRENCH BACKFILL	CU YD	170	
	21101615	TOPSOIL FURNISH AND PLACE, 4"	SQ YD	2047	
*	25100630	EROSION CONTROL BLANKET	SQ YD	2047	
	28000305	TEMPORARY DITCH CHECKS	FOOT	147	
	28000400	PERIMETER EROSION BARRIER	FOOT	8393	
	28000500	INLET AND PIPE PROTECTION	EACH	31	
	28000510	INLET FILTERS	EACH	33	
	28100207	STONE RIPRAP, CLASS A4	TON	11.7	
	35101700	AGGREGATE BASE COURSE, TYPE B 5"	SQ YD	3534	
	40600290	BITUMINOUS MATERIALS (TACK COAT)	POUND	12660	
	40603335	HOT-MIX ASPHALT SURFACE COURSE, MIX "D", N50	TON	510	
	42300200	PORTLAND CEMENT CONCRETE DRIVEWAY PAVEMENT, 6 INCH	SQ YD	66.7	
△	42400200	PORTLAND CEMENT CONCRETE SIDEWALK 5 INCH	SQ FT	27320	
	42400800	DETECTABLE WARNINGS	SQ FT	406	
	44000200	DRIVEWAY PAVEMENT REMOVAL	SQ YD	870.8	
	44000500	COMBINATION CURB AND GUTTER REMOVAL	FOOT	302	
	44000600	SIDEWALK REMOVAL	SQ FT	626	
	50105220	PIPE CULVERT REMOVAL	FOOT	251	
	52200800	SEGMENTAL CONCRETE BLOCK WALL	SQ FT	1305	
	54205050	PIPE CULVERTS, SPECIAL 15"	FOOT	52	
	54205107	PIPE CULVERTS, SPECIAL 72"	FOOT	17	
	54213657	PRECAST REINFORCED CONCRETE FLARED END SECTIONS 12"	EACH	1	
	54213660	PRECAST REINFORCED CONCRETE FLARED END SECTIONS 15"	EACH	2	
	550A0050	STORM SEWERS, CLASS A, TYPE 1 12"	FOOT	353	
	550A0120	STORM SEWERS, CLASS A, TYPE 1 24"	FOOT	12	
*	56400400	FIRE HYDRANTS TO BE RELOCATED	EACH	6	
	60219000	MANHOLES, TYPE A, 4'-DIAMETER, TYPE 8 GRATE	EACH	4	

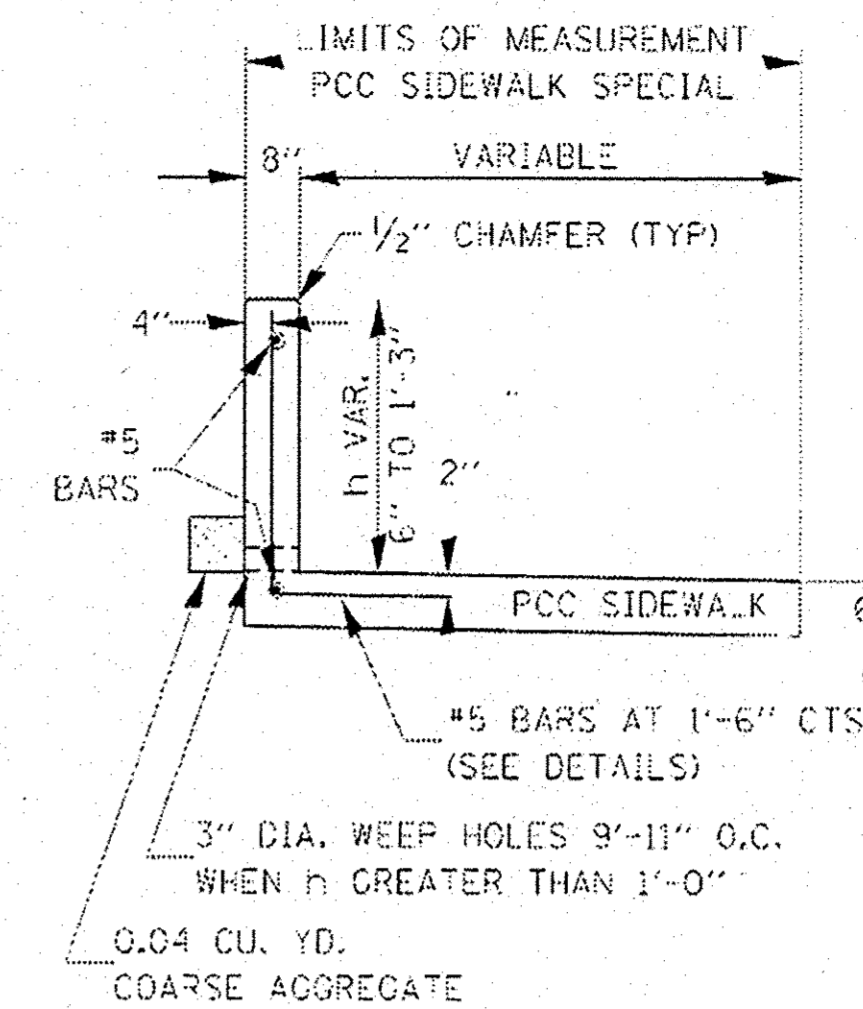
SUMMARY OF QUANTITIES

S.I.	CODE NO.	ITEM	UNIT	TOTAL QUANTITY	CONSTRUCTION TYPE CODE
					CMAQ FUND
					80% FED 20% STATE TRAIL 0028 URBAN
	60255500	MANHOLES TO BE ADJUSTED	EACH	2	
	60265700	VALVE VAULTS TO BE ADJUSTED	EACH	5	
	60266600	VALVE BOXES TO BE ADJUSTED	EACH	3	
	60603900	COMBINATION CONCRETE CURB AND GUTTER, TYPE B-6.12 (ABUTTING EXISTING PAVEMENT)	FOOT	111	
*	63000003	STEEL PLATE BEAM GUARDRAIL, TYPE A, 9 FOOT POSTS	FOOT	574	
*	63100167	TRAFFIC BARRIER TERMINAL, TYPE I (SPECIAL) TANGENT	EACH	12	
	67100100	MOBILIZATION	LSUM	1	
*	78000400	THERMOPLASTIC PAVEMENT MARKING - LINE 6"	FOOT	1788	
*	78000600	THERMOPLASTIC PAVEMENT MARKING - LINE 12"	FOOT	168	
*	78000650	THERMOPLASTIC PAVEMENT MARKING - LINE 24"	FOOT	68	
*	81028200	UNDERGROUND CONDUIT, GALVANIZED STEEL, 2" DIA	FOOT	78	
*	87301215	ELECTRIC CABLE IN CONDUIT, SIGNAL NO. 14 2C	FOOT	876	
*	87301225	ELECTRIC CABLE IN CONDUIT, SIGNAL NO. 14 3C	FOOT	940	
*	87800100	CONCRETE FOUNDATION, TYPE A	FOOT	16	
*	87900200	DRILL EXISTING HANDHOLE	EACH	4	
*	88102717	PEDESTRIAN SIGNAL HEAD, LED, 1-FACE BRACKET MOUNTED WITH COUNTDOWN TIMER	EACH	8	
*	88800100	PEDESTRIAN PUSH BUTTON	EACH	8	
*	89502200	MODIFY EXISTING CONTROLLER	EACH	1	
*	89502375	REMOVE EXISTING TRAFFIC SIGNAL EQUIPMENT	EACH	4	
*	A2000620	TREE, ACER PLATANOIDES (NORWAY MAPLE), 2 1/2" CALIPER BALLED AND BURLAPPED	EACH	5	
*	A2001028	TREE, ACER RUBRUM (BOWHALL), 3" CALIPER BALLED AND BURLAPPED	EACH	5	
*	A2005020	TREE, GYMNOCLADUS DIOICUS (KENTUCKY COFFEE TREE) 2 1/2" CALIPER BALLED AND BURLAPPED	EACH	6	
*	X2501000	SEEDING, CLASS 2A (SPECIAL)	ACRE	0.42	
△	X4240430	PORTLAND CEMENT CONCRETE SIDEWALK 5 INCH, SPECIAL	SQ FT	27320	
*	X6330705	RUB RAIL	FOOT	574	
	X7010216	TRAFFIC CONTROL AND PROTECTION (SPECIAL)	LSUM	1	
*	X8760055	PEDESTRIAN PUSH-BUTTON POST, TYPE A	EACH	4	
*	Z0007124	STEEL RAILING (SPECIAL)	FOOT	182	
	Z0013798	CONSTRUCTION LAYOUT	LSUM	1	
	Z0042300	PORTLAND CEMENT CONCRETE SIDEWALK CURB	FOOT	120	
	Z0049799	PROTECTING OR RESETTNG SURVEY MARKERS	EACH	3	
	Z0076600	TRAINEES	HOURL	1000	0042
	Z0076604	TRAINEES TRAINING PROGRAM GRADUATE	HOURL	1000	0042
	XZ127902	RETAINING WALL, SPECIAL	SQ FT	589	

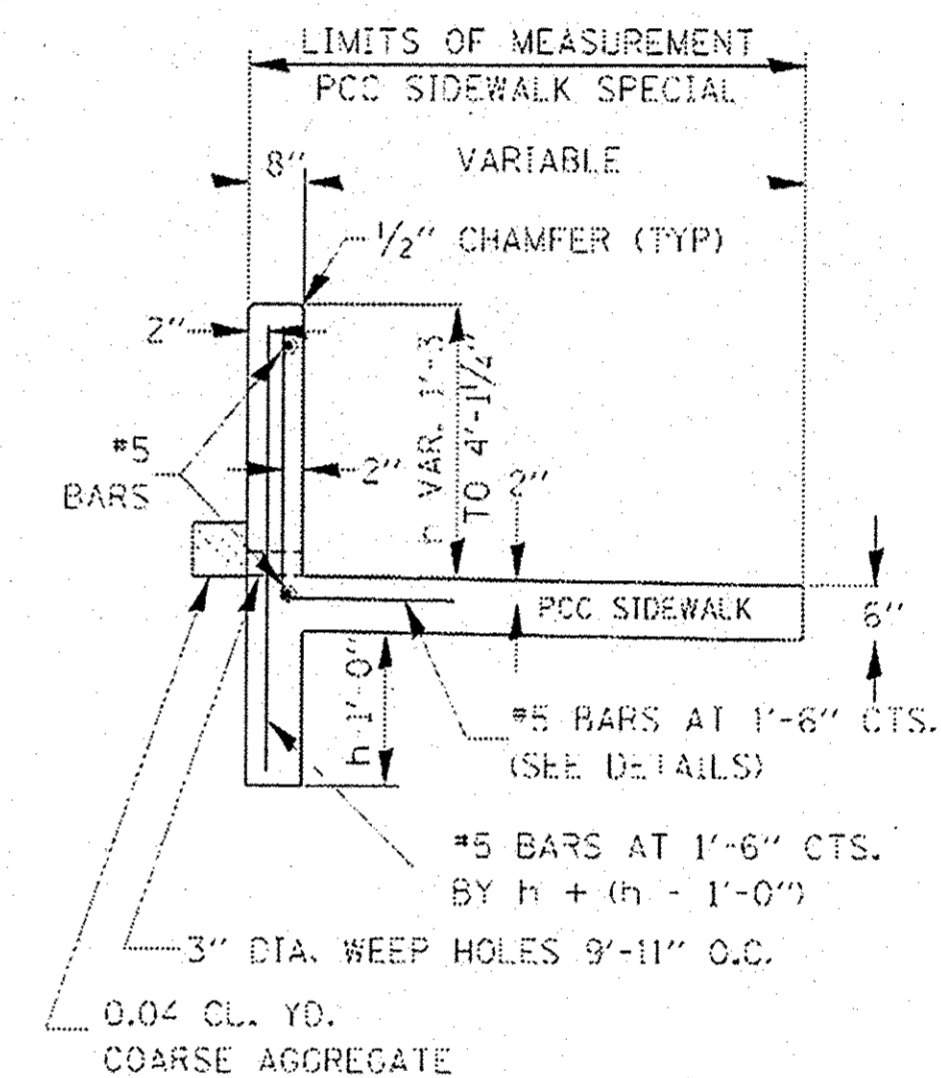
* SPECIALTY ITEMS



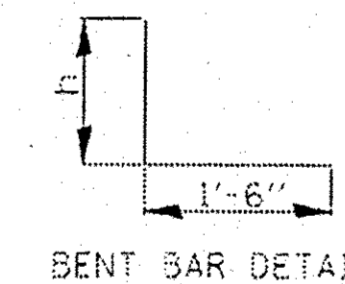
TYPICAL SECTION THROUGH RETAINING WALL
NOT TO SCALE



TYPE 1



TYPE 2



PCC SIDEWALK SPECIAL WITH RETAINING WALL

ITEM Z0042300
BRIGGS STREET STA. 29+10 TO STA. 31+50

RT & A Ruettiger, Tonelli & Associates, Inc.
 Surveyors • Engineers • Planners • Landscape Architects • GIS Consultants
 129 CAHSTA DRIVE • SHOREWOOD, ILLINOIS 60404
 PH (815) 744-6500 FAX (815) 744-0101
 website: www.ruettigertonnelli.com
 LATEST R.T. & A. REVISION: 9-16-2016 R.T. & A. Dwg. No.: 310-1076-C2
 FIELD BOOK & PAGE

FILE NAME:	USER NAME =	DESIGNED JPH @ RTA	REVISED 12-28-2016	STATE OF ILLINOIS DEPARTMENT OF TRANSPORTATION	CONSTRUCTION DETAILS BRIGGS STREET, DIVISION STREET AND FARRELL ROAD	FAU. RTE.	SECTION	COUNTY	TOTAL SHEETS	SHEET NO.		
		DRAWN ECH @ RTA	REVISED 2-20-2017			363 / 291 / 366	10-00072-00-BT	WILL	93	57		
	PLOT SCALE =	CHECKED JPH @ RTA	REVISED			SCALE: N.T.S.		SHEET NO. 1 OF 1 SHEETS	STA. TO STA.	CONTRACT NO. 61D48		
	PLOT DATE =	DATE 7-30-2015	REVISED			ILLINOIS FEDERAL AID PROJECT						