

URBAN

URBAN

SUMMARY OF QUANTITIES			CONSTRUCTION TYPE CODE				
CODE NO	ITEM	UNIT	TOTAL QUANTITIES	NHPP 80% FED 20% STATE 0005	STP-U 80% FED 20% STATE 0005		
20200100	EARTH EXCAVATION	CU YD	14	10	4		
21101615	TOPSOIL FURNISH AND PLACE, 4"	SO YD	317	235	82		
21400100	GRADING AND SHAPING DITCHES	FOOT	200	148	52		
25000400	NITROGEN FERTILIZER NUTRIENT	POUND	6	4.4	1.6		
25000600	POTASSIUM FERTILIZER NUTRIENT	POUND	6	4.4	1.6		
25200110	SODDING, SALT TOLERANT	SO YD	317	235	82		
25200200	SUPPLEMENTAL WATERING	UNIT	8	6	2		
40600290	BITUMINOUS MATERIALS (TACK COAT)	POUND	158485	117279	41206		
40600400	MIXTURE FOR CRACKS, JOINTS, AND FLANGEWAYS	TON	356	263	93		
40600827	POLYMERIZED LEVELING BINDER (MACHINE METHOD), IL-4.75, N50	TON	9965	7374	2591		
40600982	HOT-MIX ASPHALT SURFACE REMOVAL - BUTT JOINT	SO YD	517	383	134		
40603340	HOT-MIX ASPHALT SURFACE COURSE, MIX "D", N70	TON	19930	14904	5026		
42001300	PROTECTIVE COAT	SO YD	850	629	221		

SUMMARY OF QUANTITIES			CONSTRUCTION TYPE CODE				
CODE NO	ITEM	UNIT	TOTAL QUANTITIES	NHPP 80% FED 20% STATE 0005	STP-U 80% FED 20% STATE 0005		
42400200	PORTLAND CEMENT CONCRETE SIDEWALK 5 INCH	SO FT	587	434	153		
42400800	DETECTABLE WARNINGS	SO FT	57	42	15		
44000158	HOT-MIX ASPHALT SURFACE REMOVAL, 2 1/4"	SO YD	237250	175565	61685		
44000500	COMBINATION CURB AND GUTTER REMOVAL	FOOT	200	148	52		
44000600	SIDEWALK REMOVAL	SO FT	603	446	157		
44004250	PAVED SHOULDER REMOVAL	SO YD	35	26	9		
44201789	CLASS D PATCHES, TYPE II, 12 INCH	SO YD	4000	2960	1040		
44201794	CLASS D PATCHES, TYPE III, 12 INCH	SO YD	3000	2322	678		
44201796	CLASS D PATCHES, TYPE IV, 12 INCH	SO YD	16700	12358	4342		
48102100	AGGREGATE WEDGE SHOULDER, TYPE B	TON	1844	1365	479		
48203021	HOT-MIX ASPHALT SHOULDERS, 6"	SO YD	35	26	9		
60255500	MANHOLES TO BE ADJUSTED	EACH	1	1			
60300305	FRAMES AND LIDS TO BE ADJUSTED	EACH	4	3	1		
60600095	CLASS SI CONCRETE (OUTLET)	CU YD	3	2	1		
*	SPECIALTY ITEMS						

Handwritten circled notes in the right table:

- 4000 2960 1040
- 3000 2322 678
- 16700 12358 4342



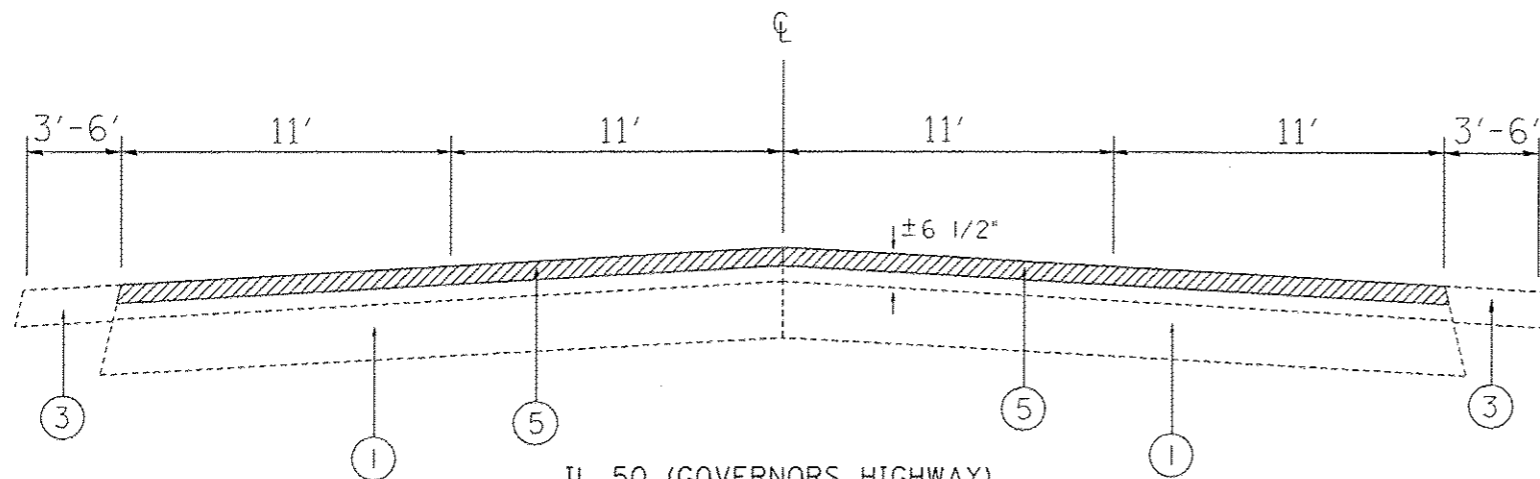
FILE NAME *	USER NAME * str0426	DESIGNED -	REVISED -
DESIGNED BY	DRAWN -	CHECKED -	DATE -
PLOT SCALE * 100.0000 1" = 10'			
PLOT DATE * 12/11/2016			

STATE OF ILLINOIS
DEPARTMENT OF TRANSPORTATION

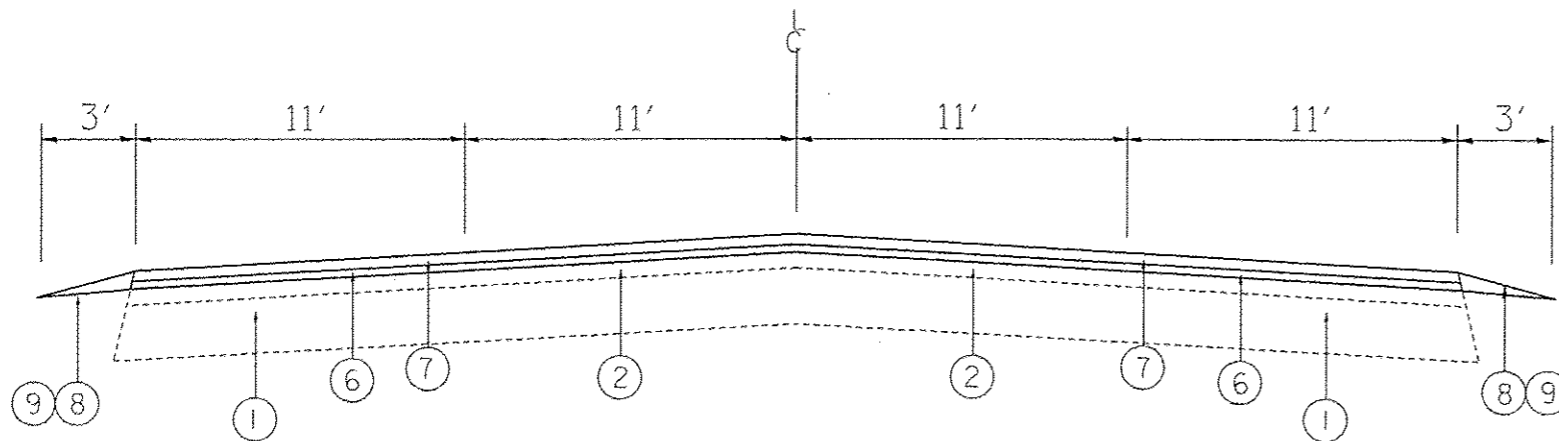
SUMMARY OF QUANTITIES			
IL ROUTE 50 (KANKAKEE COUNTY LINE TO CN RR)			
SCALE:	SHEET NO. OF SHEETS	STA. TO STA.	

F.A.P. RTE. 840	SECTION 1142 & 1431 RS-6	COUNTY WILL	TOTAL SHEETS 36	SHEET NO. 3
CONTRACT NO. 62C03				
FED. ROAD DIST. NO. 1 ILLINOIS FED. AID PROJECT				

Rev 2-15-17



IL 50 (GOVERNORS HIGHWAY)
EXISTING TYPICAL SECTION
STA. 5+92 TO STA. 468+93



IL 50 (GOVERNORS HIGHWAY)
PROPOSED TYPICAL SECTION
STA. 5+92 TO STA. 468+93

LEGEND

- ① EXISTING PCC BASE COURSE ±8"
- ② EXISTING HMA SURFACE AFTER MILLING, ±4"
- ③ EXISTING AGGREGATE SHOULDERS
- ④ EXISTING HMA SHOULDERS
- ⑤ PROPOSED HMA SURFACE REMOVAL, 2 1/4"
- ⑥ PROPOSED POLYMERIZED LEVELING BINDER (MACHINE METHOD), IL-4.75, N50, 3/4"
- ⑦ PROPOSED HMA SURFACE COURSE, MIX "D", N70, 1 1/2"
- ⑧ PROPOSED AGGREGATE WEDGE SHOULDERS, TYPE B
- ⑨ PROPOSED GRADING & SHAPING SHOULDERS

NOTES:

FOR THE EXISTING HMA SURFACE, THE CONTRACTOR SHALL DO PAVEMENT MILLING FIRST, THEN PATCHING THE ROADWAY PER BD-22 DETAIL.

HOT-MIX ASPHALT MIXTURE REQUIREMENTS		
MIXTURE USES	DESIGN AIR VOIDS @ Nos	QMP

MAINLINE PAVEMENT & SHOULDER RESURFACING

POLYMERIZED LEVELING BINDER (MACHINE METHOD), IL-4.75, N50	3.5% AT 50 GYR.	OCP
HMA SURFACE COURSE, MIX "D", N70, (IL-9.5 mm)	4% AT 70 GYR.	PPF

HMA SHOULDER, 6"

HMA SURFACE COURSE, MIX "D", N70, 2" (IL-9.5 mm)	4% AT 70 GYR.	OC/OA
HMA BINDER COURSE, IL-19.0, N70, 4"	4% AT 70 GYR.	OC/OA

PAVEMENT PATCHING

CLASS D PATCH (HMA BINDER IL-19 mm)	4% AT 70 GYR.	OC/OA
QMP DESIGNATION: QUALITY CONTROL/QUALITY ASSURANCE (OC/OA); QUALITY CONTROL FOR PERFORMANCE (OCP); PAY FOR PERFORMANCE (PPF)		

NOTE 1: THE DENSITY FOR THIS MIX WILL BE ASSIGNED 100 PERCENT PAY FACTOR, BE TESTED RANDOMLY AT THE FREQUENCY REQUIRED IN THE HMA QUALITY CONTROL FOR PERFORMANCE SPECIAL PROVISION, AND SHALL MEET MINIMUM OC/OA DENSITY REQUIREMENTS IN ACCORDANCE WITH ART. 1030 OF THE STANDARD SPECIFICATIONS.

NOTES:

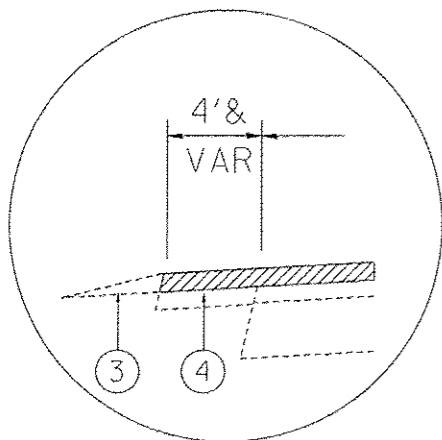
THE UNIT WEIGHT USED TO CALCULATE ALL HMA SURFACE MIXTURES QUANTITIES IS 112 LBS/50 YD/IN.

THE "AC TYPE FOR POLYMERIZED HMA MIXES SHALL BE "SBS/SBR PG 76-22" AND FOR NON-POLYMERIZED HMA THE "AC TYPE" SHALL BE "PG 64-22" UNLESS MODIFIED BY DISTRICT ONE SPECIAL PROVISIONS.

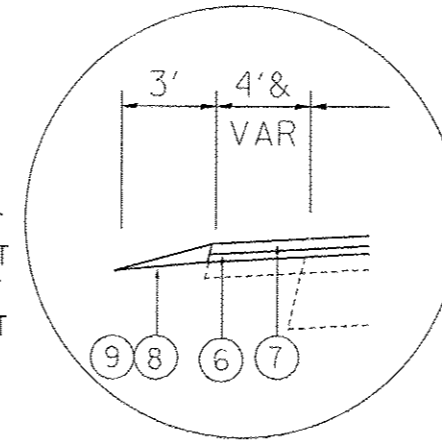
FOR USE OF RECYCLED MATERIALS SEE DISTRICT ONE SPECIAL PROVISIONS. QUALITY MANAGEMENT PROGRAM (QMP) IDENTIFIES THE PARTICULAR QUALITY CONTROL SPECIFICATION THAT APPLIES TO THE HMA MIXTURE.

HMA SHOULDERS TO BE RESURFACED AS MAINLINE:

- STA. 133+41 TO STA. 137+31, 3' HMA SHOULDER, RT
- STA. 138+00 TO STA. 157+43, 4' HMA SHOULDER, LT
- STA. 158+12 TO STA. 171+72, 4' HMA SHOULDER, LT & RT
- STA. 330+00 TO STA. 339+12, 4' HMA SHOULDER, LT & RT
- STA. 375+00 TO STA. 380+65, 4' HMA SHOULDER, LT & RT
- STA. 391+84 TO STA. 405+05, 4' HMA SHOULDER, LT & RT
- STA. 458+00 TO STA. 468+93, 4' HMA SHOULDER, LT & RT



EXISTING TYPICAL SECTION



PROPOSED TYPICAL SECTION

FILE NAME: c:\pwork\pedit\qureshiga\08476365\018	USER NAME: qureshiga	DESIGNED: -	REVISED: - Δ - 2/3/2017	STATE OF ILLINOIS DEPARTMENT OF TRANSPORTATION	EXISTING AND PROPOSED TYPICAL SECTIONS IL ROUTE 50 (KANKAKEE COUNTY LINE TO CN RR)	F.A.P. RTE.:	SECTION:	COUNTY:	TOTAL SHEETS:	SHEET NO.:	
Default	108.0263 / in	DRAWN: -	REVISED: -			840	(142 & 143) RS-6	WILL	36	6	
	PLOT DATE: 2/3/2017	CHECKED: -	REVISED: -			CONTRACT NO. 62C03					
		DATE: -	REVISED: -			[ILLINOIS] FED. AID PROJECT					

Δ Rev 2-15-17